



## Signage Product Guide

Any Sign.  
Any Budget.  
Fast.



# Welcome to our Sign Brochure

We are proud to welcome you to  
our 2021 Product Guide.

We consistently work hard to provide everything you need in a  
sign manufacturer:

- Quality finished sign range
- Flexible project collaboration capability
- Extensive range of sign components

Every sign we manufacture is made to order  
to meet the requirements of your clients. We  
are committed to supplying you with the best  
products, when you need them, and at the right  
price.



## The Sign Range

Specialising in manufacturing aluminium sign systems, provide sign makers with a range of high quality sign systems. From a simple panel sign mounted on one post, to the most prestigious sign featuring a fret-cut, LED Illumination and feature letters – all exclusively available to the trade.

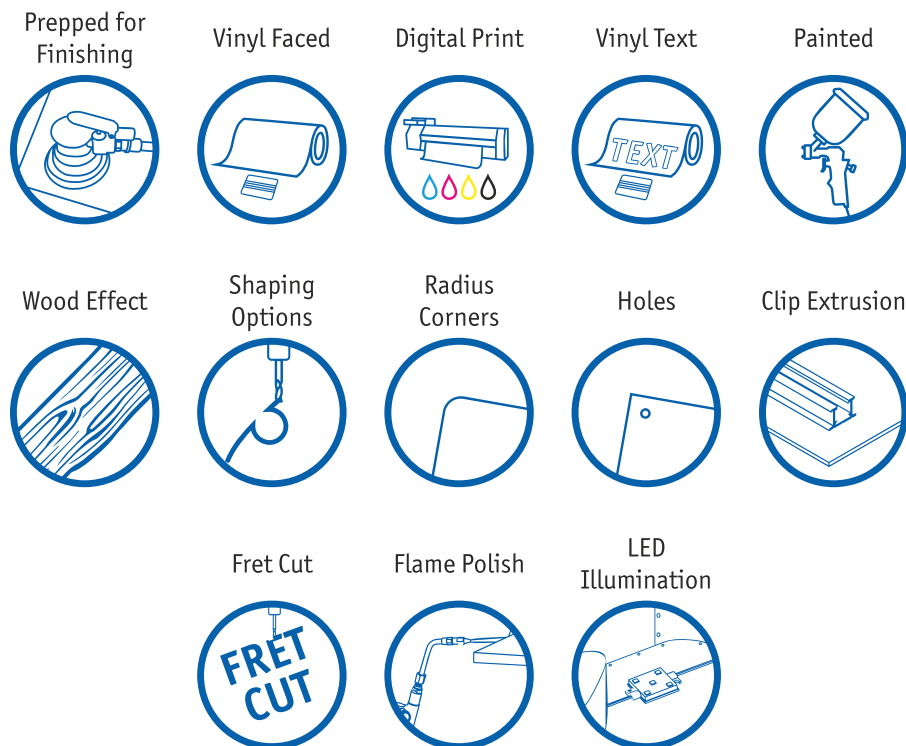
We make every sign to order, exactly to your requirements, at the best price. Available in three stages of finish; Component, Semi-Complete & Fully Finished including graphics.

We price to 'standard' specification, however if you wish to have more or less production involvement, please let us know and we can revise the price accordingly.

No matter what sign system or finish you select, we always offer:

- Short production lead times
- Good stock availability
- Friendly informative support

## Finishing Options



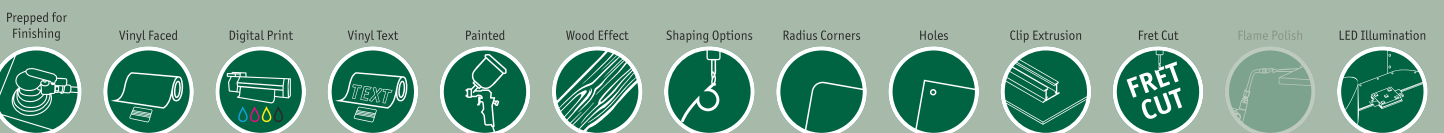
Aluminium Panels	Page 04
Aluminium Trays	Page 10
Composite	Page 16
Aluminium Posts	Page 20
Sign Fixings	Page 48
Aluminium Sleeve	Page 68
Hooped Top	Page 72
Modular	Page 76
Architech	Page 84
Fingerposts	Page 94
Road Traffic	Page 100
Stryder Troughlight	Page 106
Lightboxes	Page 110
LED Illumination	Page 118
Panel Frames	Page 122
K'nect	Page 130
Glass Effect (Acrylic)	Page 136
Banner Systems	Page 142
Display	Page 148
Letters	Page 156
Budget	Page 166

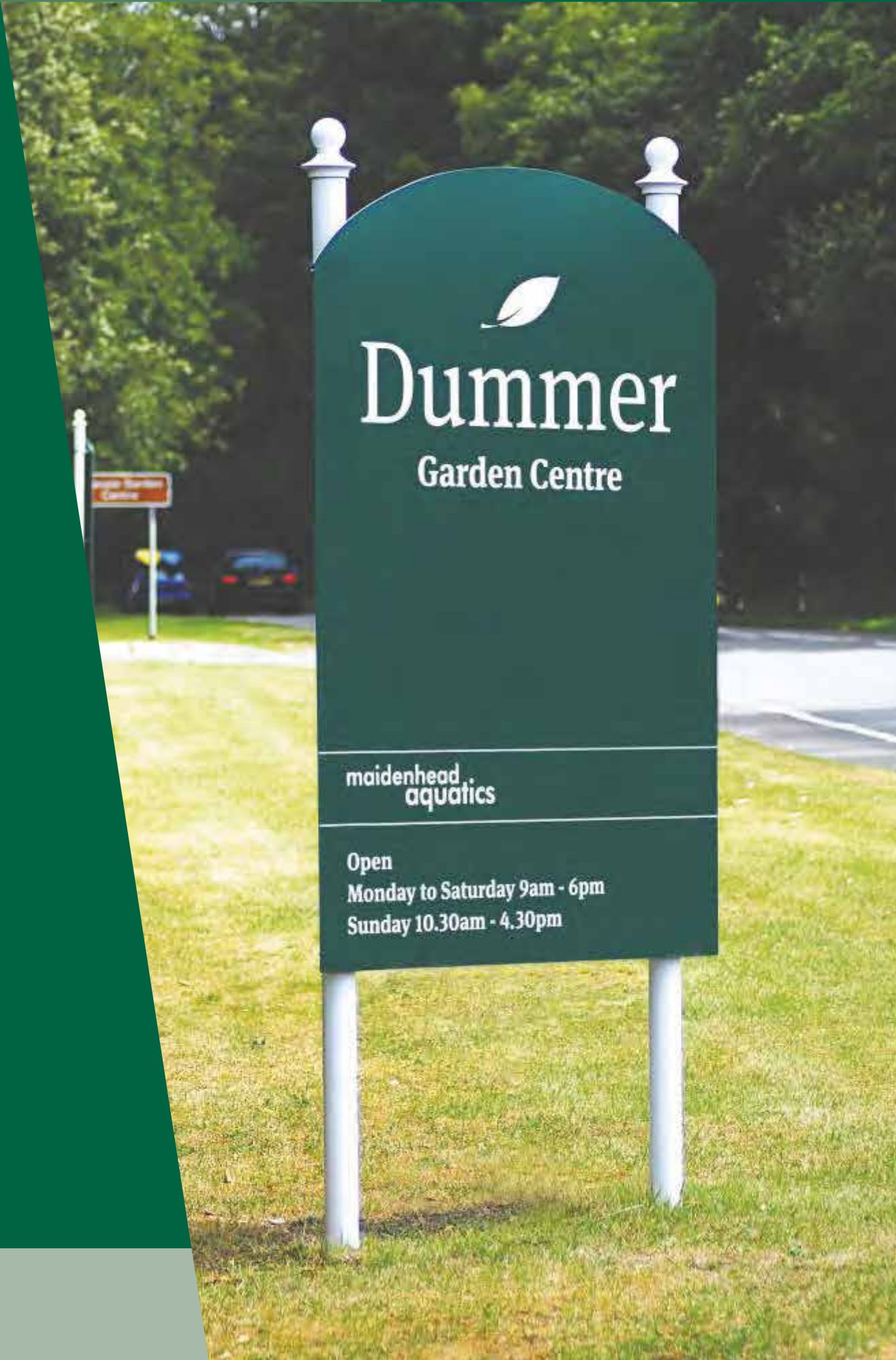
# Aluminium Panels

With a wide range of mounting options and embellishments, Aluminium Panel Signage system offers the perfect combination of affordability and customisation. This system is a popular choice for standard sign requirements such as road signs or health and safety signs, but can also create striking first impression signage with the addition of powder coating or finials. Available with a selection of simple, robust fixing methods that are designed to stand up to the most testing conditions a sign is likely to encounter.

## System Overview

	Single Sided	Double Sided	V-Mount	Inline	Corniche
Posts	•	•	•	•	•
Totem					
Freestanding	•	•			
Flat Wall	•			•	•
Projecting	•	•	•		
Suspended	•	•			





# Aluminium Sign Panels

Available in five different mounting options, Aluminium Panels can be mounted in single or double sided, V-mount, Corniche or Inline configurations in a range of finishes.

## KEY INFORMATION

- Manufactured from 2.5mm aluminium (as standard)
- Shaping options available to create your shape
- Lead times start from a same day despatch

## Panel Signage Styles



Post Mounted



Wall Mounted



Projecting

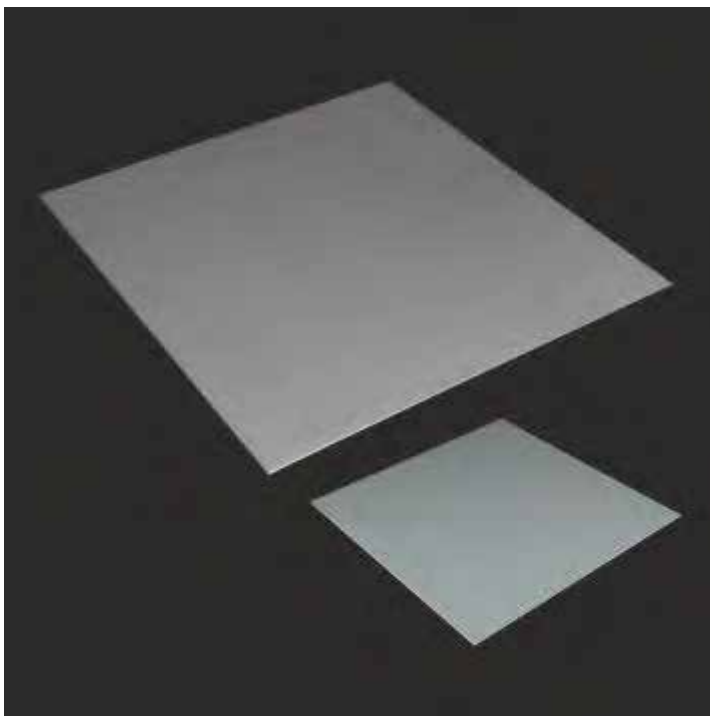


Suspended

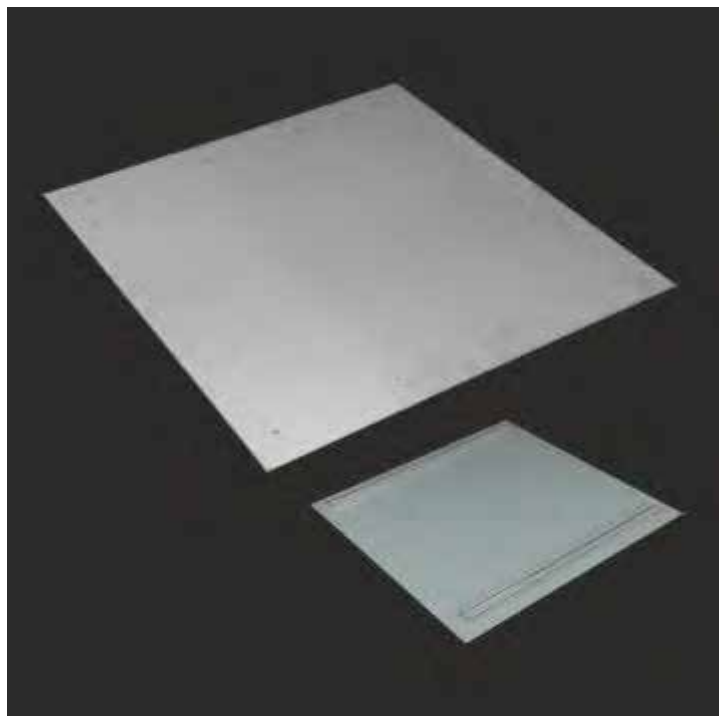


Freestanding

## Blank Aluminium Panels



Aluminium Panel only

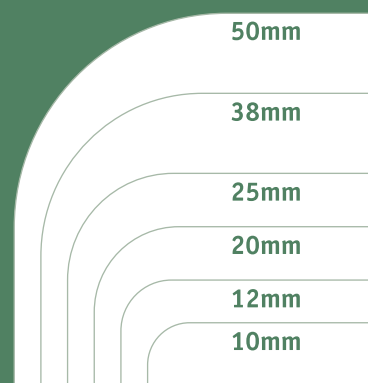
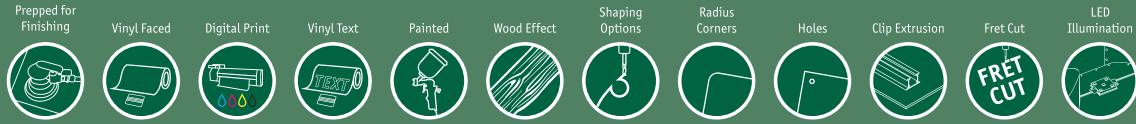


Aluminium Panel with Clip Extrusion

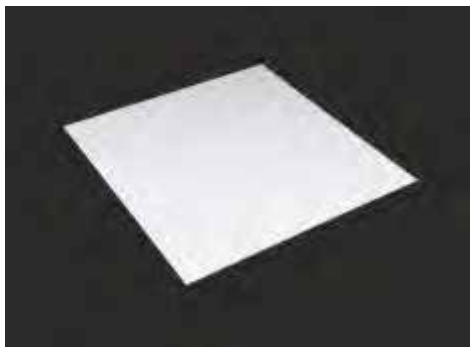


# Finishing Touches

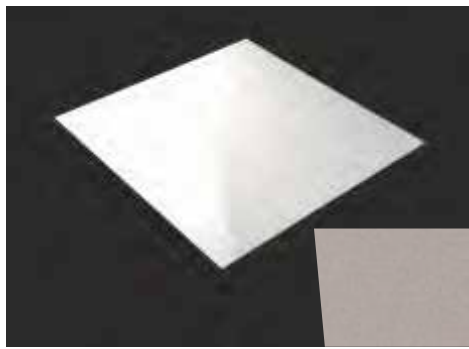
We can add holes (3, 5.5, 9, 13, 15, 17 or 23mm), faced both sides, shape your panels, whatever you like!



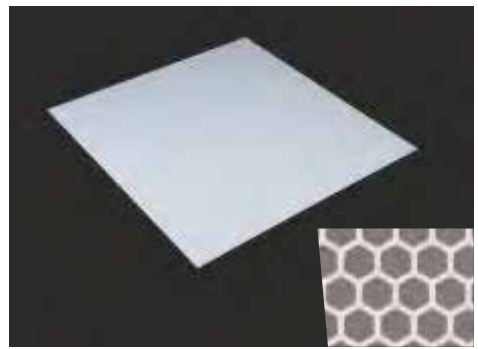
## Vinyl Faced Aluminium Panels



Faced Non-Reflective Aluminium Panel  
or  
Faced Non-Reflective Aluminium Panel with Clip Extrusion



Faced Reflective Class 2 (RA1) Aluminium Panel  
or  
Faced Reflective Class 2 (RA1) with Clip Extrusion



Faced Reflective Class 1 (RA2) Aluminium Panel  
or  
Faced Reflective Class 1 (RA2) with Clip Extrusion



### Stock Non-Reflective Vinyl



### Stock Reflective Vinyl

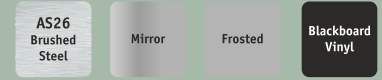
All of our standard reflective vinyls are in compliance with BS EN 12899-1:2007 and BS 8442.



### ECOF Overlay



### Specialist



## Printed Aluminium Panels



Aluminium Panel faced with Digital Print



Aluminium Panel faced with Digital Print with Clip Extrusion







## Painted Panels

With 179 stock powder coating colours we are sure to have the perfect colour to match your requirements.

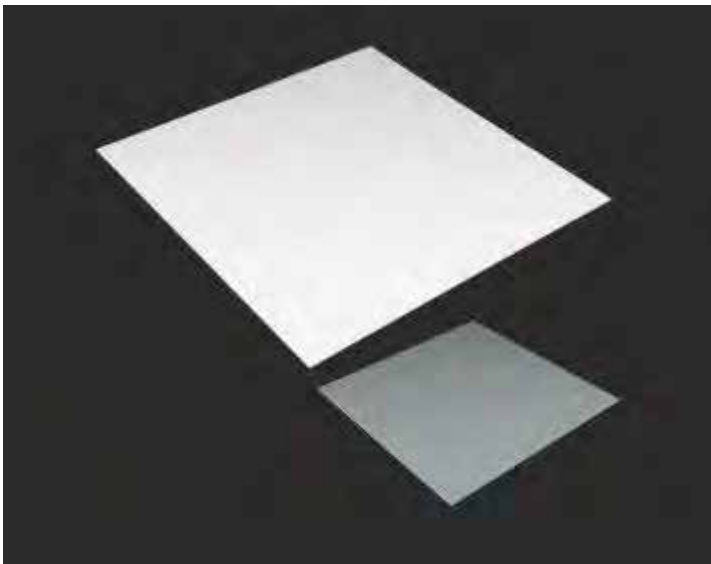
AS colours to equivalent RAL Powder colours					
AS01	RAL5012	AS06	RAL9016	AS11	RAL1014
AS02	RAL5005	AS07	RAL3004	AS12	RAL9005
AS03	RAL5002	AS08	RAL3020	AS15	RAL8017
AS04	RAL6029	AS09	RAL2008	AS16	RAL7042
AS05	RAL6005	AS10	RAL1023	AS25	RAL5017

## Need something different?

We can also wet coat to almost any colour, give us your non-stock RAL, BS or Pantone reference and we'll do the rest.

Gloss, matt, satin or metallic finishes are available across the range - please remember to specify your preference when placing your order or requesting your quote.

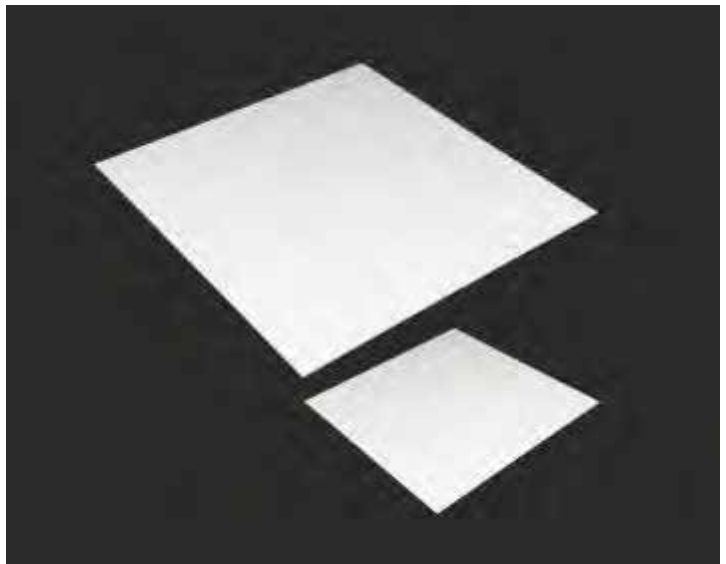
### Painted Aluminium Panels



Powder Coated Aluminium Panel

or

Powder Coated Aluminium Panel with Clip Extrusion



Powder Coated Aluminium Panel both sides

or

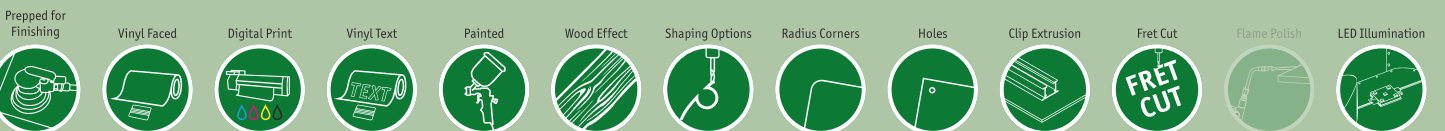
Powder Coated Aluminium Panel both sides with Clip Extrusion

# Aluminium Trays

Aluminium Trays offer a more prominent appearance than a Panel sign. Typically found where customers are keen for a 3D effect with no visible fixings, the Tray Signage system allows for almost unlimited variation in size, shape and return depth.

## System Overview

	Single Sided	Double Sided	V-Mount	Inline	Corniche
Posts	•	•	•	•	
Totem	•	•			
Freestanding					
Flat Wall	•			•	
Projecting		•			
Suspended		•			





# Aluminium Trays

All of our Aluminium Trays are dress welded and ground down at the corners to give a seamless finish. Additionally, and as with all aluminium products, Trays can be embellished with illumination and print options.

## KEY INFORMATION

- Manufactured from 2.5mm aluminium (as standard)
- Shaping options available to create your shape
- Powder coated trays available from a three day lead time

## Tray Signage Styles



Post Mounted (Plaza)



Freestanding (Totem)



Wall Mounted

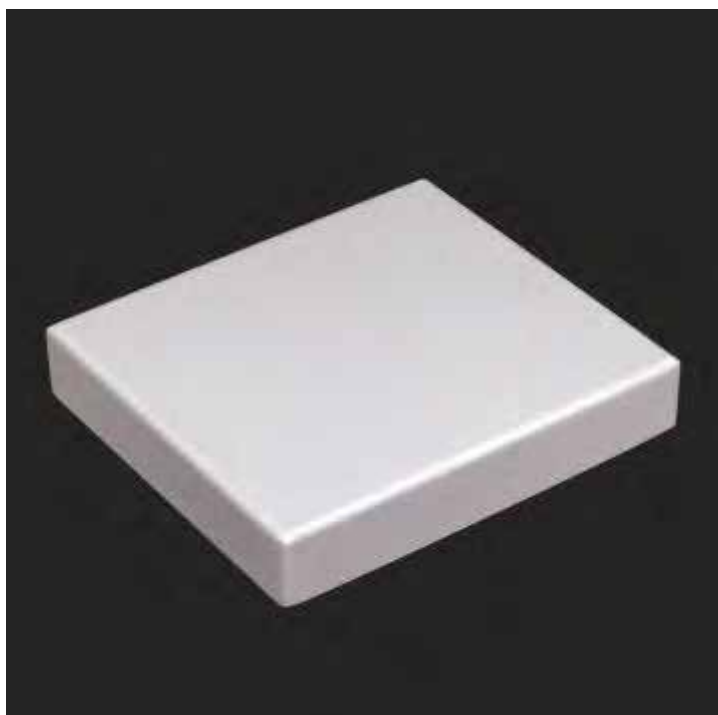


Projecting

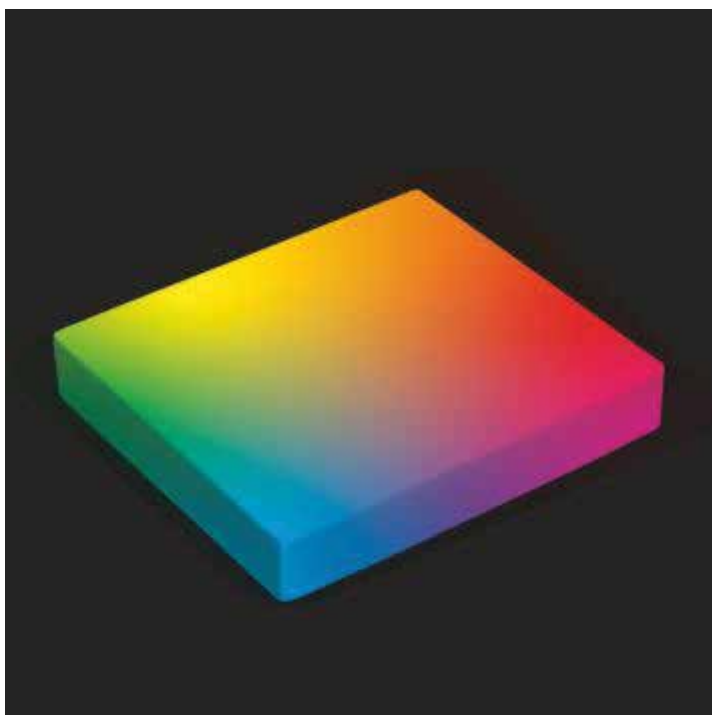


Suspended

## Painted Aluminium Trays



Powder Coated Aluminium Tray with 50mm Returns



Wet Coated Aluminium Tray with 50mm Returns

The largest Tray available from 1 sheet is 2950 x 1425mm with 50mm returns all round. Larger sizes available in multiple sections on request.





## Painted Panels

With 179 stock powder coating colours we are sure to have the perfect colour to match your requirements.

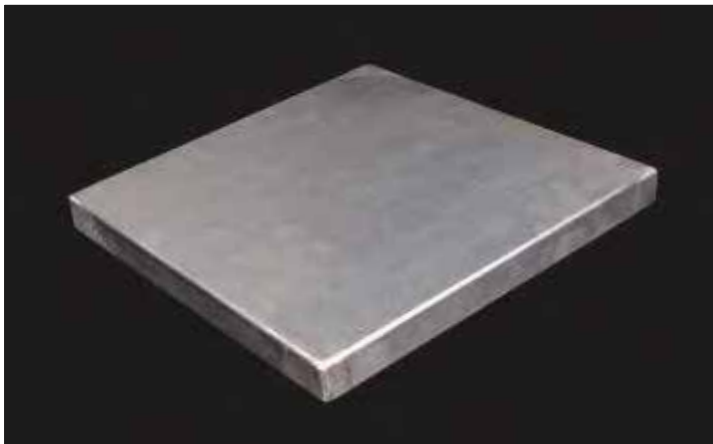
AS colours to equivalent RAL Powder colours					
AS01	RAL5012	AS06	RAL9016	AS11	RAL1014
AS02	RAL5005	AS07	RAL3004	AS12	RAL9005
AS03	RAL5002	AS08	RAL3020	AS15	RAL8017
AS04	RAL6029	AS09	RAL2008	AS16	RAL7042
AS05	RAL6005	AS10	RAL1023	AS25	RAL5017

## Need something different?

We can also wet coat to almost any colour, give us your non-stock RAL, BS or Pantone reference and we'll do the rest.

Gloss, matt, satin or metallic finishes are available across the range - please remember to specify your preference when placing your order or requesting your quote.

### Blank Aluminium Trays



Mill Finish Aluminium Tray with 50mm Returns

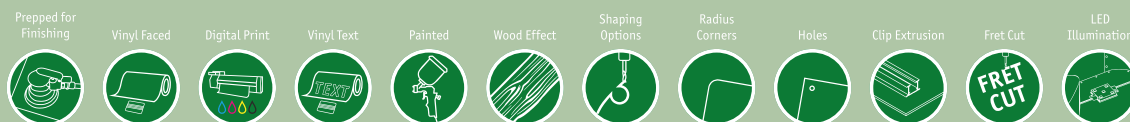


Prepped Aluminium Tray with 50mm Returns

## Finishing Touches

We can shape your tray, add larger returns up to 145mm all round, join multiple trays, mount on internal or external posts to create totem Signage, provide fret cut detail, curved face, vinyl or digitally printed finishing is also available.

We also supply angle for wall mounting and colour coded fixings.



Powder / Wet coating may have an excess charge

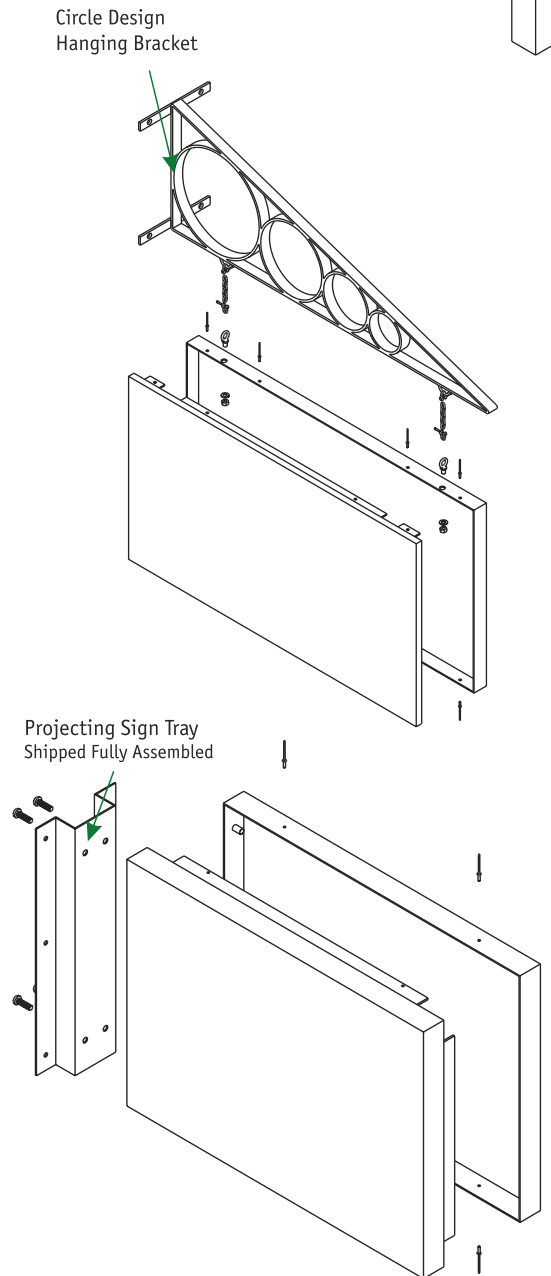
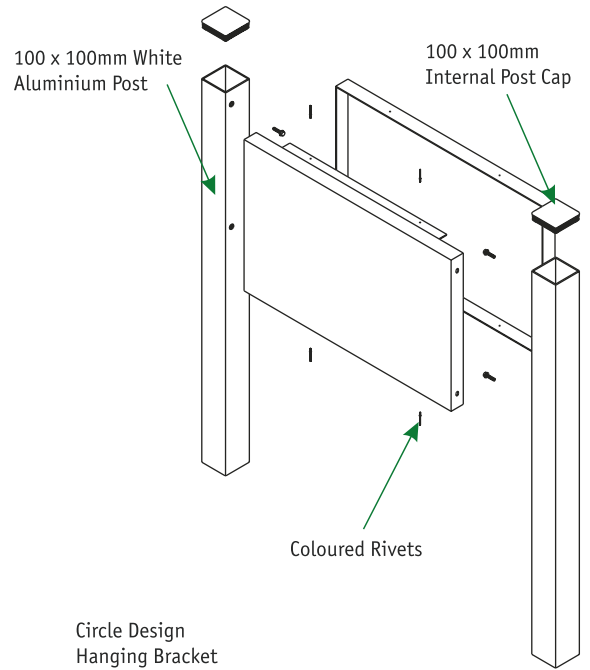
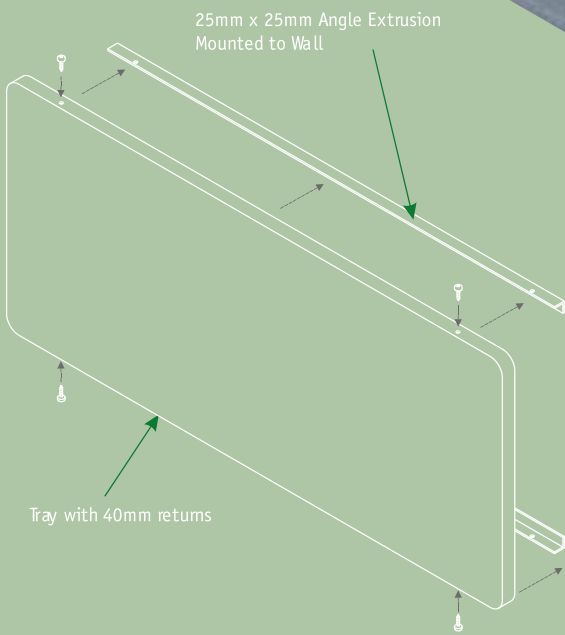
# Keep It Up

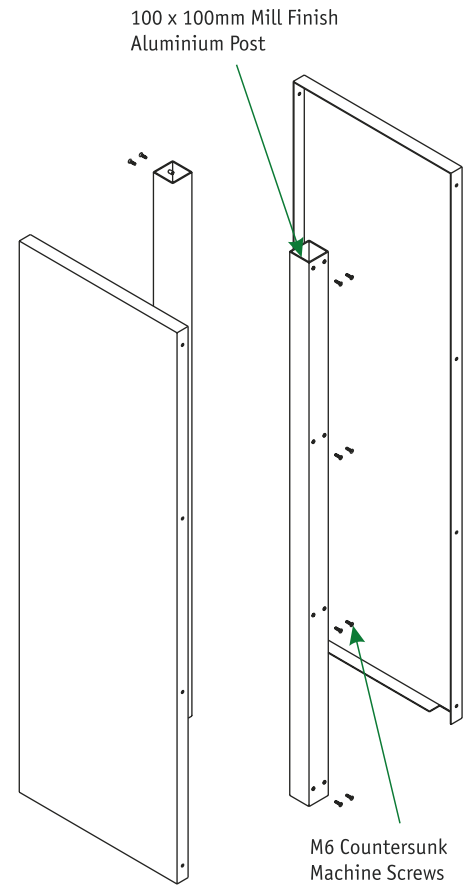
Extruded aluminium angle is used to mount wall mounted Trays, depending on the return size the size of the angle will change. We recommend choosing one size below the return size. 50mm returns will use 40mm angle, 25mm returns will use 20mm angle.

Length	Size	Finish
3000mm	20 x 20mm	Grey
3000mm	25 x 25mm	Grey
3000mm	40 x 40mm	Grey
4000mm	40 x 40mm	Grey
5000mm	40 x 40mm	Grey
0 - 3000mm	40 x 40mm	Mill
6000mm	50 x 50mm	Grey

Cut to length available

Mill Finish  
Grey  
BS381C 693

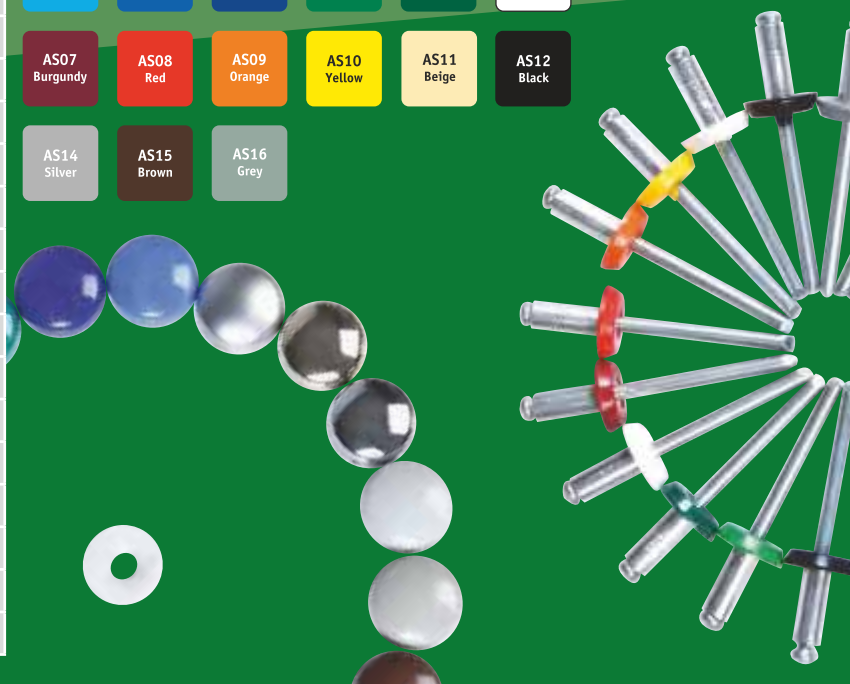




AS Ref	Finish	RAL Match	Rivet	Screw	Screw Cap
AS01	Light Blue	RAL5012	●	●	●
AS02	Medium Blue	RAL5005	●	●	●
AS03	Dark Blue	RAL5002	●	●	●
AS04	Light Green	RAL6029	●	●	●
AS05	Dark Green	RAL6005	●	●	●
AS06	White	RAL9016	●	●	●
AS07	Burgundy	RAL3004	●	●	●
AS08	Red	RAL3020	●	●	●
AS09	Orange	RAL2008	●	●	●
AS10	Yellow	RAL1023	●	●	●
AS11	Beige	RAL1014	●	●	●
AS12	Black	RAL9005	●	●	●
AS13	Gold	---			●
AS14	Silver	---	●	●	●
AS15	Brown	RAL8017	●	●	●
AS16	Grey	RAL7042	●	●	●
---	Polished Gold	---			●
---	Chrome	---			●
---	Satin Silver	---			●

## Everything Matches

We supply matching colour coded fixings for our AS colour range.

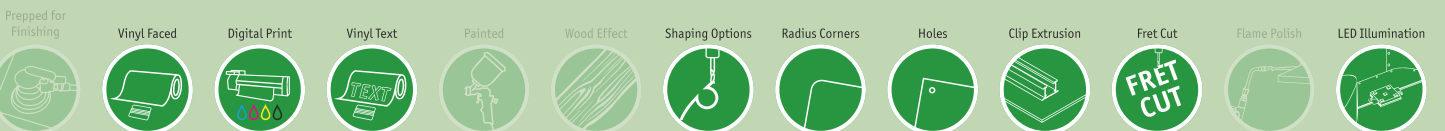


# Composite

Aluminium Composite comprises a Polyethylene core between two sheets of 0.3mm aluminium. Composite is less expensive than aluminium but doesn't boast the same length of life or durability. Ashby manufactures a reduced range of composite signage because of the reduced durability of the material - we believe, where possible, that aluminium is a better option.

## System Overview

	Single Sided	Double Sided	V-Mount	Inline	Corniche
Posts	•	•	•	•	•
Totem					
Freestanding					
Flat Wall	•			•	•
Projecting					
Suspended	•	•			







# Composite

Composite Signs are a low-cost alternative to aluminium. Composite panels & trays are used where longevity is not a consideration.

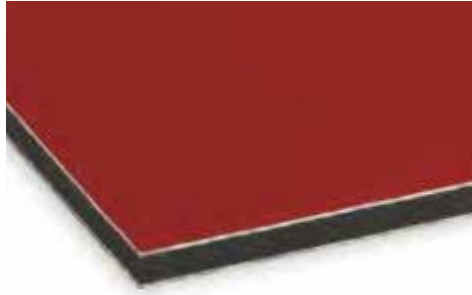
## KEY INFORMATION

- Available substrates; hoarding, composite, traffic composite
- Composite thicknesses; 3mm (0.3mm aluminium skin)
- Envelope or square corner finishes available on tray returns

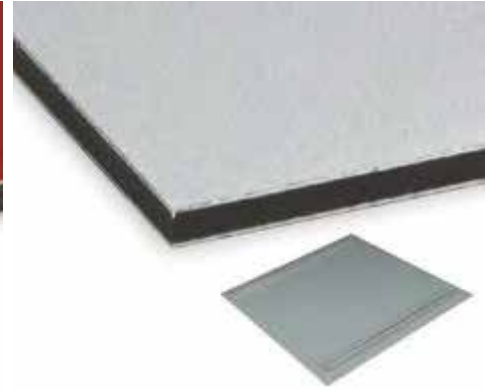
### Blank Composite



White Composite Panel



Coloured Composite Panel



Traffic Composite Panel with Clip Extrusion

### Vinyl Faced Composite



Composite Panel with Digital Print



Traffic Composite with Digital Print & Clip Extrusion





## Stock Non-Reflective Vinyl



## Stock Reflective Vinyl

All of our standard reflective vinyls are in compliance with BS EN 12899-1:2007 and BS 8442.

Class 1 (RA2) Class 2 (RA1)



## ECOF Overlay



## Specialist

## Blank Trays



Coloured Composite Tray Sizes				
Colour	1000 x 500mm	1500 x 750mm	2000 x 1000mm	2910 x 1360mm
Blue				
Green				
White				
Red				
Yellow				
Black				
Brushed				



Sizes given based on 50mm returns all round and single sheets only.

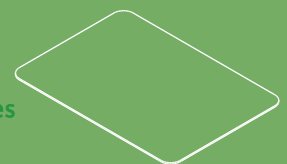
The largest Tray available from 1 sheet is 2910 x 1360mm with 50mm returns all round. Larger sizes available in multiple sections on request.



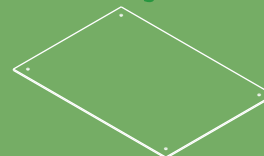
## Finishing Touches

We can add holes, radius corners, face both sides or shape your panels. Whatever you like!

**Add Radius Corners**  
Panels only



**Add Fixing holes**



**Shape your Panel**  
Panels only  
(Shaping Charge will apply)



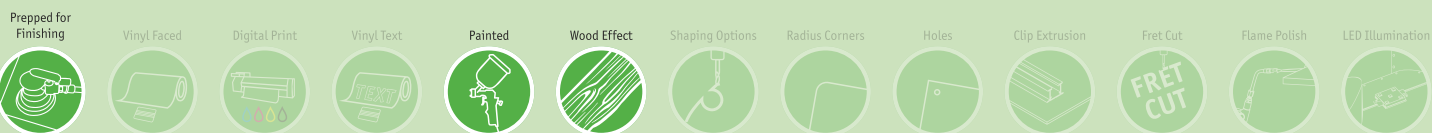
Powder / Wet coating may have an excess charge

# Aluminium Posts & accessories

We supply an unrivalled range of round, square and specialised profiles in a combination of mill, white and grey finishes. Posts are stocked in lengths up to 6000mm relevant to their diameter but all can be cut to the necessary length. All posts can be powder coated or wet coated to requirement.

## Category Contents

<b>Round Posts</b>	<b>22</b>
<b>Square Posts</b>	<b>30</b>
<b>Screw Port Posts</b>	<b>33</b>
<b>Welded Baseplate Posts</b>	<b>38</b>
<b>Post Caps</b>	<b>40</b>
<b>Finials</b>	<b>43</b>
<b>Baseplates &amp; Foundation Sleeves</b>	<b>47</b>





# Round Posts

Aluminium round posts available in; 50, 76, 89, 114, 140 and 168mm diameters and mill, grey and white finishes from stock or powder coated to a standard RAL or BS colour, wet coating is also available.

## 50mm Round Posts

### Product Information

- Wall thickness; 2.5mm
- Gloss finish on powder coated posts as standard
- Non-stock lengths and colours available



Mill Finish

Length	Finish
1000mm	Mill
1500mm	Mill
2000mm	Mill
2500mm	Mill
3000mm	Mill
Cut to length available	

Length	Finish
1000mm	Grey
1500mm	Grey
2000mm	Grey
2500mm	Grey
3000mm	Grey
Cut to length available	

Grey  
BS381C 693



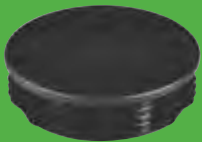
White  
RAL9016

Length	Finish
1000mm	White
1500mm	White
2000mm	White
2500mm	White
3000mm	White
Cut to length available	

Powder Coated to RAL or BS Colour

Length	Finish
0 - 3000mm	Powder Coated
0 - 3000mm	Wet Coated
Cut to length available	

50mm Black Plastic Internal Post Cap



50mm Stainless Steel Post Clip



50mm Baseplate



## Different Colour?

With 179 stock powder coating colours we are sure to have the perfect colour to match your requirements.

Check our RAL colour chart on page 173 for the complete list.



### 76mm Round Posts

#### Product Information

- Wall thickness; 2.9mm up to 3500mm length & 3.25mm above
- Gloss finish on powder coated posts as standard
- Non-stock lengths and colours available



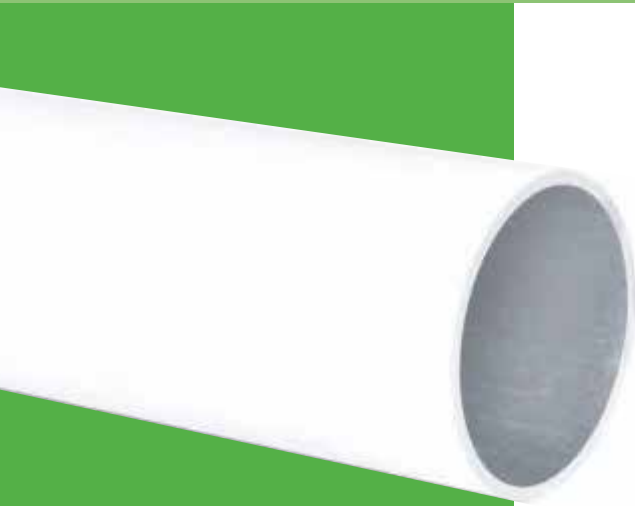
Mill Finish

Length	Finish
1000mm	Mill
1500mm	Mill
2000mm	Mill
2500mm	Mill
3000mm	Mill
3500mm	Mill
4000mm	Mill
5000mm	Mill
6000mm	Mill
Cut to length available	

Length	Finish
1000mm	Grey
1500mm	Grey
2000mm	Grey
2500mm	Grey
3000mm	Grey
3500mm	Grey
4000mm	Grey
5000mm	Grey
6000mm	Grey
Cut to length available	

Grey  
BS381C 693





White  
RAL9016

Length	Finish
1000mm	White
1500mm	White
2000mm	White
2500mm	White
3000mm	White
3500mm	White
4000mm	White
5000mm	White
6000mm	White
Cut to length available	

### 76mm Grey Plastic External Post Cap



Powder Coated  
to RAL of BS  
Colour

Length	Finish
0 - 3000mm	Powder Coated
3001 - 5000mm	Powder Coated
5001 - 6000mm	Powder Coated
0 - 3000mm	Wet Coated
3001 - 5000mm	Wet Coated
5001 - 6000mm	Wet Coated
Cut to length available	

### 76mm Colour Coded Plastic Internal Post Cap



### 76mm Steel Baseplates (to stop rotation & subsidence)





# 76mm Round "Stali" Posts

Stali is a stainless steel effect aluminium post that is unique. Stainless steel effect is a low maintenance, lightweight aluminium post section that has been grained and bronze anodised through a specialist process designed to give the appearance of stainless steel with none of the downsides.

**Steel or aluminium?  
How about both?**

## 76mm Round Stali Posts

**Product Information**

- Wall thickness; 2.9mm
- Non-stock lengths available

Length	Finish
3000mm	Stainless Steel Effect
3500mm	Stainless Steel Effect
Cut to length available	



**Stali over stainless steel**

The anodised, self passivating surface means that when the surface is marked or scuffed throughout the course of its life it will not oxidise or mark in the same way that stainless steel does. Additionally, and in stark contrast to stainless steel, Stali is lightweight meaning; carriage costs are lower, it's easier to install and won't stain!

**Stainless Steel Satin Finish  
Glass Clamps**



**76mm Black Internal  
Post Cap**



**76mm Steel Baseplates  
(to stop rotation & subsidence)**



## 76mm Round Post Extensions

### Product Information

- To suit 76mm post, other options on request
- Gloss finish on powder coated posts as standard

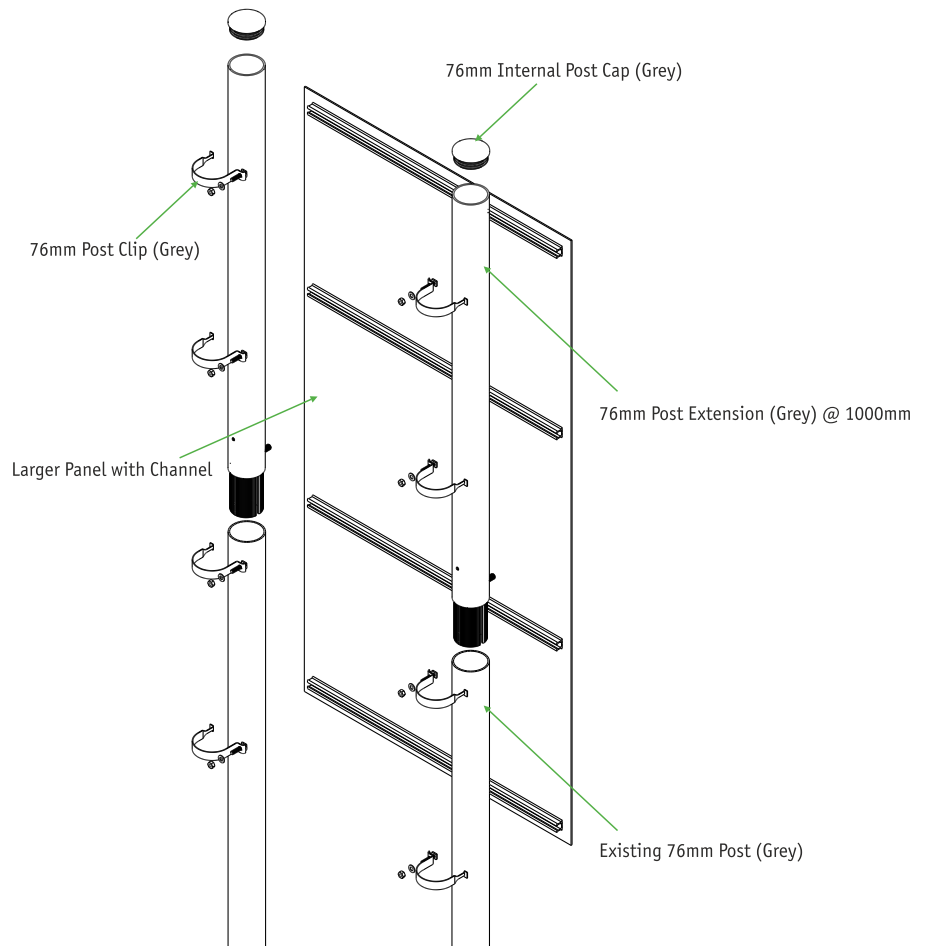
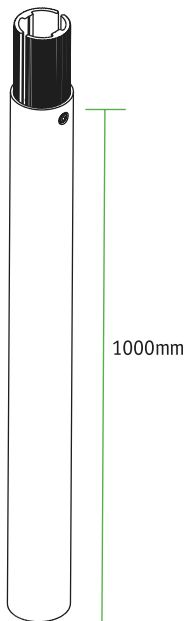
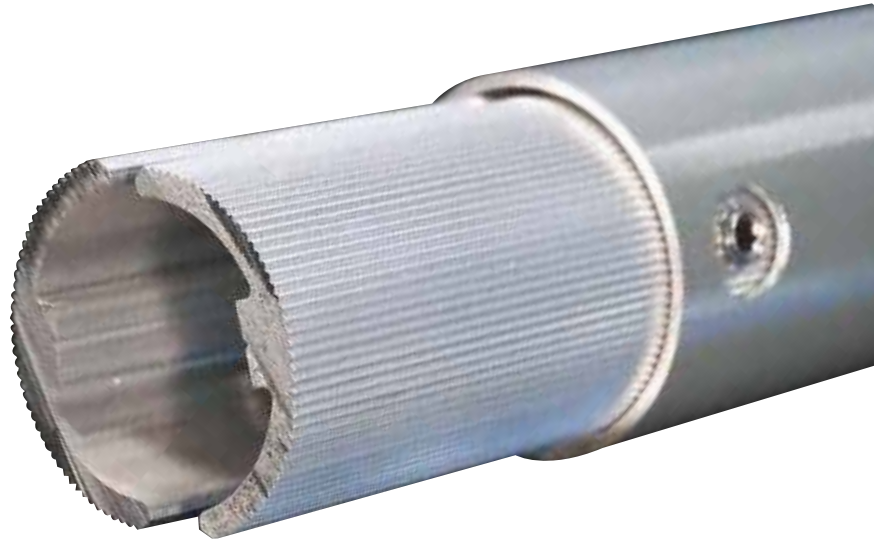
Length	Finish
1000mm	Mill
1000mm	Grey
1000mm	White
1000mm	Powder Coated
1000mm	Wet Coated
Cut to length available	

Mill  
Finish

Grey  
BS381C 693

White  
RAL9016

Powder Coated  
to RAL of BS  
Colour



We also sell the internal extension extrusion in lengths of 2450mm for you to cut down yourself if required.

Length	Finish
2450mm	Mill



Our post extensions will require our 76mm internal post caps



## 89mm Round Post

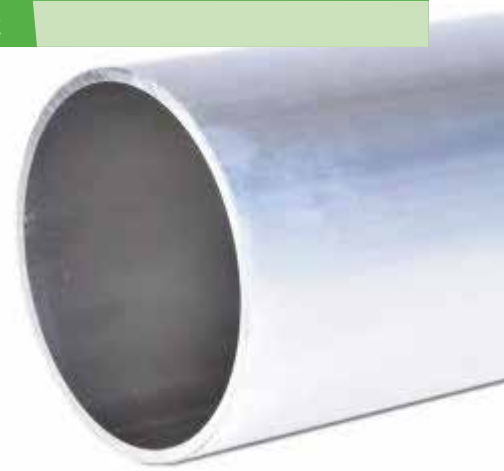


### Product Information

- Wall thickness; 4.05mm
- Gloss finish on powder coated posts as standard
- Non-stock lengths and colours available

Length	Finish	
4000mm	Mill	<b>Mill Finish</b>
5000mm	Mill	
6000mm	Mill	
4000mm	Grey	<b>Grey</b> BS381C 693
5000mm	Grey	
6000mm	Grey	
4000mm	White	<b>White</b> RAL9016
5000mm	White	
6000mm	White	
0 - 6000mm	Powder Coated	<b>Powder Coated</b> to RAL or BS Colour
0 - 6000mm	Wet Coated	
Cut to length available		

## 114mm Round Post

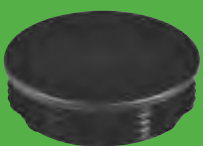


### Product Information

- Wall thickness; 4.25mm
- Gloss finish on powder coated posts as standard
- Non-stock lengths and colours available

Length	Finish	
4000mm	Mill	<b>Mill Finish</b>
5000mm	Mill	
6000mm	Mill	
4000mm	Grey	<b>Grey</b> BS381C 693
5000mm	Grey	
6000mm	Grey	
4000mm	White	<b>White</b> RAL9016
5000mm	White	
6000mm	White	
0 - 6000mm	Powder Coated	<b>Powder Coated</b> to RAL or BS Colour
0 - 6000mm	Wet Coated	
Cut to length available		

89mm Black Plastic Internal Post Cap



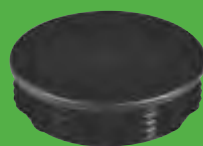
89mm Stainless Steel Post Clip



89mm Baseplate



114mm Black Plastic Internal Post Cap



114mm Stainless Steel Post Clip



114mm Baseplate



## 140mm Round Post

### Product Information

- Wall thickness; 4.5mm
- Gloss finish on powder coated posts as standard
- Non-stock lengths and colours available

Length	Finish
4500mm	Mill
5000mm	Mill
5500mm	Mill
6000mm	Mill
4500mm	Grey
5000mm	Grey
5500mm	Grey
6000mm	Grey
4500mm	White
5000mm	White
5500mm	White
6000mm	White
0-6000mm	Powder Coated
0-6000mm	Wet Coated

Mill  
Finish

Grey  
BS381C 693

White  
RAL9016

Powder Coated  
to RAL of BS  
Colour



## Different Colour?

With 179 stock powder coating colours we are sure to have the perfect colour to match your requirements.

Check our RAL colour chart on page 173 for the complete list



140mm Black  
Plastic Internal  
Post Cap



140mm Stainless  
Steel Post Clip



140mm Baseplate



168mm Round Post

**Product Information**

- Wall thickness; 5.5mm
- Gloss finish on powder coated posts as standard
- Non-stock lengths and colours available

Length	Finish
6000mm	Mill
6000mm	Grey
6000mm	White
0 - 6000mm	Powder Coated
0 - 6000mm	Wet Coated

Mill  
Finish

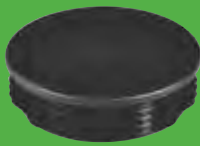
Grey  
BS381C 693

White  
RAL9016

Powder Coated  
to RAL of BS  
Colour



168mm Black Plastic Internal Post Cap



168mm Stainless Steel Post Clip



168mm Baseplate



**Need to keep a uniform colour scheme across a site?**

Powder coat your post fixings and panels to ensure a seamless finish

# Square Posts

Aluminium square posts available in; 50, 75 and 100mm<sup>2</sup> in mill, grey and white from stock or powder coated to a standard RAL or BS colour, wet coating is also available.

## 50mm Square Post

### Product Information

- Wall thickness; 2.39mm
- Gloss finish on powder coated posts as standard
- Non-stock lengths and colours available



Mill  
Finish

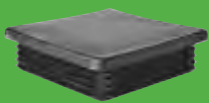
Grey  
BS381C 693

White  
RAL9016

Powder Coated  
to RAL or BS  
Colour

Length	Finish
1000mm	Mill
1500mm	Mill
2000mm	Mill
2500mm	Mill
3000mm	Mill
1000mm	Grey
1500mm	Grey
2000mm	Grey
2500mm	Grey
3000mm	Grey
1000mm	White
1500mm	White
2000mm	White
2500mm	White
3000mm	White
0 - 3000mm	Powder Coated
0 - 3000mm	Wet Coated
Cut to length available	

50mm<sup>2</sup> Black  
Plastic Internal  
Post Cap



50mm<sup>2</sup> Stainless  
Steel Post Clip



## 75mm Square Posts

### Product Information

- Wall thickness; 3.00mm
- Gloss finish on powder coated posts as standard
- Non-stock lengths and colours available

Length	Finish
4000mm	Mill
5000mm	Mill
6000mm	Mill
4000mm	Grey
5000mm	Grey
6000mm	Grey
4000mm	White
5000mm	White
6000mm	White
0 - 6000mm	Powder Coated
0 - 6000mm	Wet Coated

Mill Finish

Grey  
BS381C 693

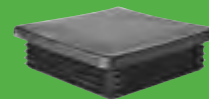
White  
RAL9016

Powder Coated  
to RAL of BS  
Colour

Cut to length available



75mm<sup>2</sup> Black Plastic Internal Post Cap



75mm<sup>2</sup> Mill Finish Post Clip



## Have you got your post clips for your post?

You will find the square clips on page 55.



## 100mm Square Posts

### Product Information

- Wall thickness; 3.80mm
- Gloss finish on powder coated posts as standard
- Non-stock lengths and colours available



Finish	Length	Finish
Mill Finish	4000mm	Mill
	5000mm	Mill
	6000mm	Mill
Grey BS381C 693	4000mm	Grey
	5000mm	Grey
	6000mm	Grey
White RAL9016	4000mm	White
	5000mm	White
	6000mm	White
Powder Coated to RAL of BS Colour	0 - 6000mm	Powder Coated
	0 - 6000mm	Wet Coated
	Cut to length available	

100mm<sup>2</sup> Black Plastic Internal Post Cap



100mm<sup>2</sup> Stainless Steel Post Clip





# Screw Port Posts

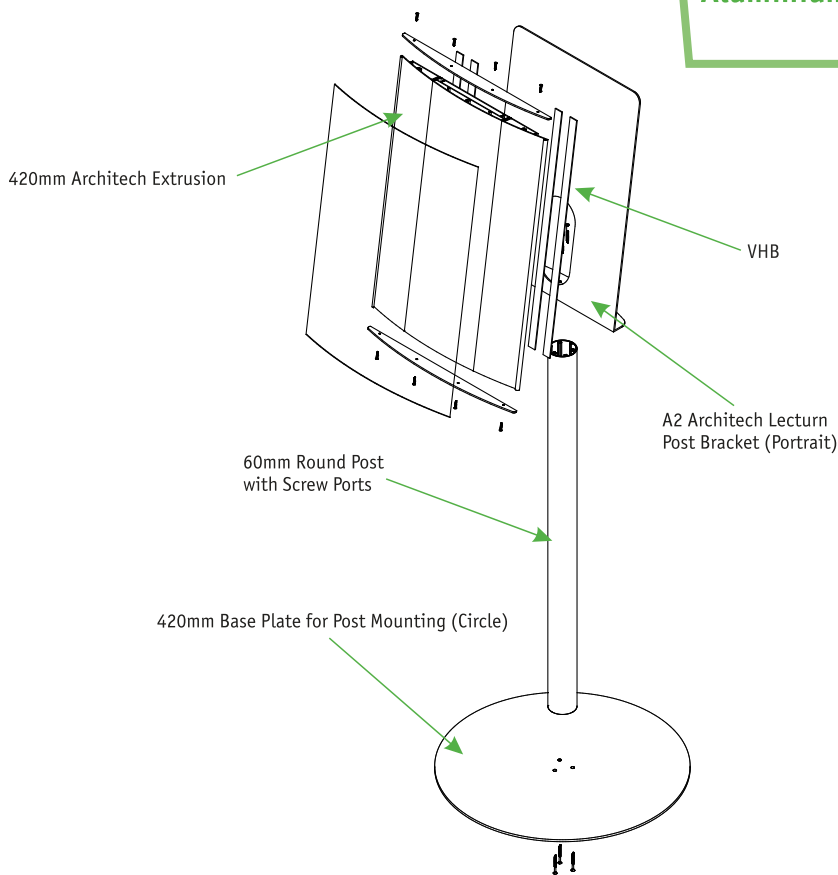
The Posts are aluminium 6063T6 extrusions, with multiple profiles and wall thicknesses. Lengths start from 1000mm to 6000mm as standard. Available from same day despatch on stock items or with 2-3 day lead time on powder coated ones.

## 60mm Round Post with Screw Ports

### Product Information

- Wall thickness; 2.0mm
- Gloss finish on powder coated posts as standard
- Non-stock lengths and colours available

Length	Finish
3050mm	Mill
3050mm	Silver Anodised
0 - 3050mm	Powder Coated
0 - 3050mm	Wet Coated
Cut to length available	



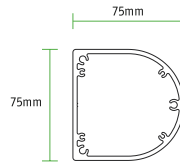
420mm Baseplate



## 75mm D Post with Screw Ports

### Product Information

- Wall thickness; 3.0mm
- Gloss finish on powder coated posts as standard
- Non-stock lengths and colours available



Length	Finish
6000mm	Mill
6000mm	White
0 - 6000mm	Powder Coated
0 - 6000mm	Wet Coated
Cut to length available	

Mill Finish

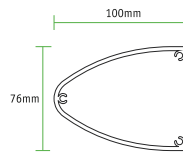
White  
RAL9016

Powder Coated  
to RAL of BS  
Colour

### 75mm D-Shape Aluminium Post Cap



## Cathedral Post with Screw Ports



### Product Information

- Wall thickness; 3.0mm
- Gloss finish on powder coated posts as standard
- Non-stock lengths and colours available

### Cathedral Aluminium Post Cap



Length	Finish
4000mm	Mill
5000mm	Mill
6000mm	Mill
0 - 6000mm	Powder Coated
0 - 6000mm	Wet Coated
Cut to length available	

Mill Finish

Powder Coated  
to RAL of BS  
Colour



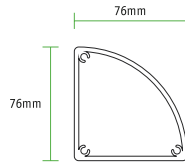
Quadrant Post with Screw Ports

Product Information

- Wall thickness; 3.0mm
- Gloss finish on powder coated posts as standard
- Non-stock lengths and colours available

Length	Finish
4000mm	Mill
5000mm	Mill
6000mm	Mill
Cut to length available	

Mill Finish



Quadrant Aluminium Post Cap



Painted Quadrant Posts?

With 179 stock colours available in gloss, semi-gloss and matt finish available, as well as the ability to match to Pantone colours, we will be able to match your requirements.

Check our RAL colour chart on page 173 for the complete list.

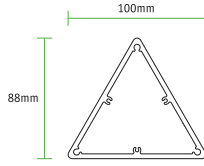


Length	Finish
0 - 6000mm	Powder Coated
0 - 6000mm	Wet Coated

## Triangular Post with Screw Ports

### Product Information

- Wall thickness; 3.5mm
- Gloss finish on powder coated posts as standard
- Non-stock lengths and colours available



Length	Finish
4000mm	Mill
5000mm	Mill
6000mm	Mill
4000mm	White
5000mm	White
6000mm	White
0 - 6000mm	Powder Coated
0 - 6000mm	Wet Coated
Cut to length available	

White  
RAL9016

Mill  
Finish

Powder Coated  
to RAL of BS  
Colour



### Triangular Aluminium Post Cap



## Ellipse Post with Screw Ports



### Product Information

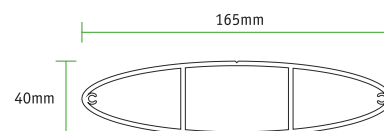
- Wall thickness; 2.5mm
- Gloss finish on powder coated posts as standard
- Non-stock lengths and colours available

Mill  
Finish

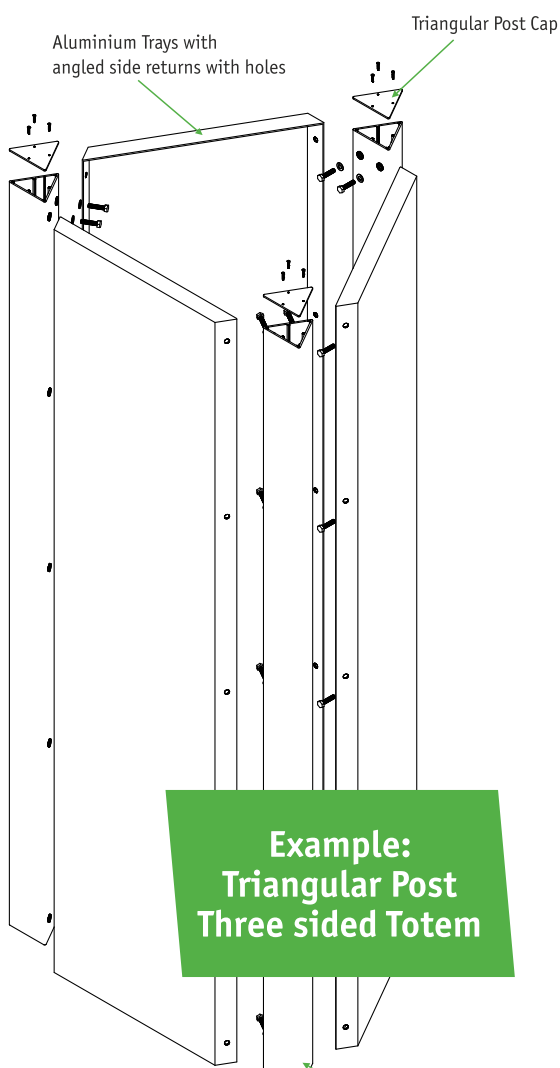
Powder Coated  
to RAL of BS  
Colour

Length	Finish
4000mm	Mill
5000mm	Mill
6000mm	Mill
0 - 6000mm	Powder Coated
0 - 6000mm	Wet Coated
Cut to length available	

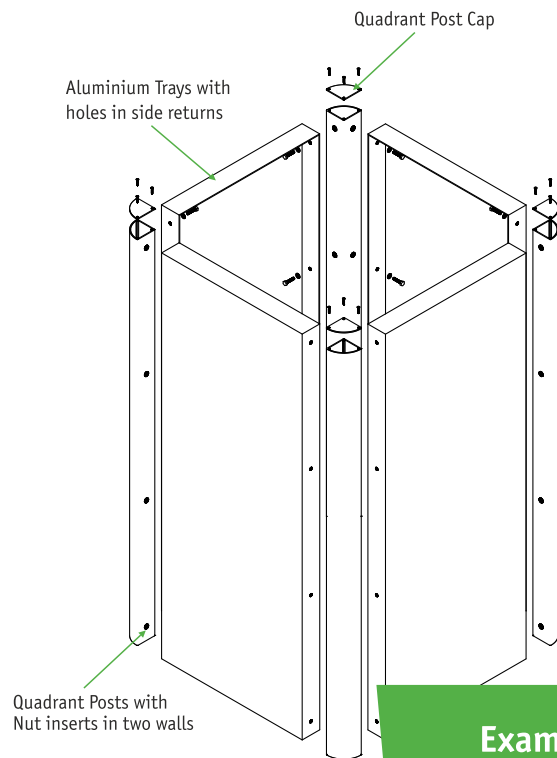
### Ellipse Aluminium Post Cap



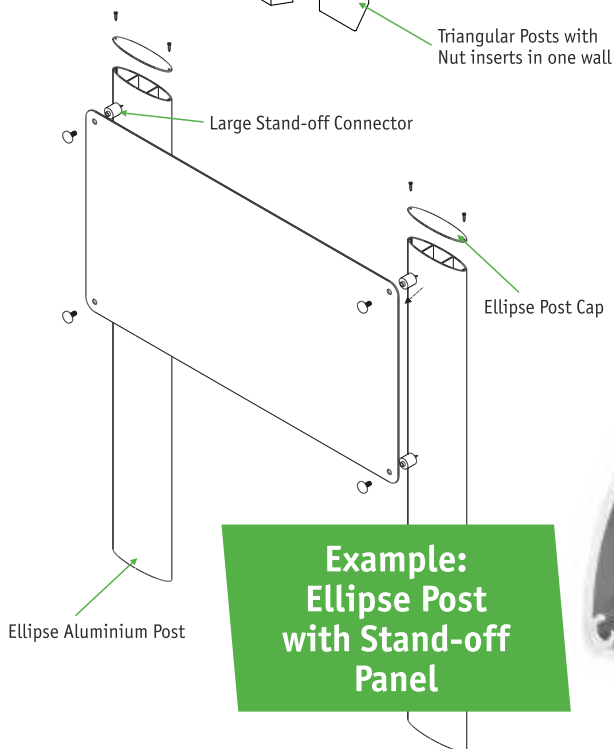
Screw Port Post Examples



Example: Triangular Post Three sided Totem



Example: Quadrant Post Four sided Totem



Example: Ellipse Post with Stand-off Panel



# Welded Baseplate Posts

When planting your posts in is not an option, use welded baseplate posts and anchor bolts for a solid surface mounting option.

## KEY INFORMATION

- We recommend lengths of no more than 3.5m unless additional webbing is used

### Welded Baseplate with 50mm Posts

#### Product Information

- Baseplate size; 300mm<sup>2</sup> or 300mm dia. circle cut from 10mm Aluminium Plate
- 4x 13mm holes for surface mounting as standard
- Powder coating to stock colours also available
- POA on lengths over 3000mm
- POA on Post sizes not listed



Length	Post Shape	Finish
1000mm	50mm Dia.	Mill
1500mm	50mm Dia.	Mill
2000mm	50mm Dia.	Mill
2500mm	50mm Dia.	Mill
3000mm	50mm Dia.	Mill

1000mm	50mm Dia.	Powder Coated
1500mm	50mm Dia.	Powder Coated
2000mm	50mm Dia.	Powder Coated
2500mm	50mm Dia.	Powder Coated
3000mm	50mm Dia.	Powder Coated

Cut to length available

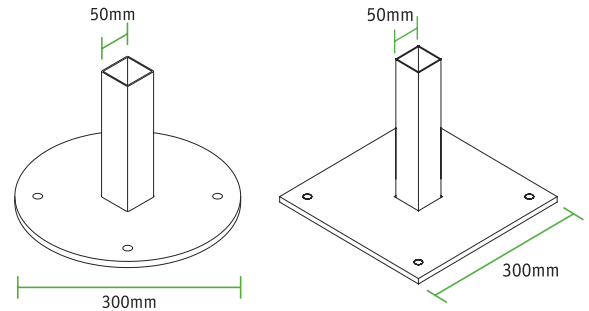
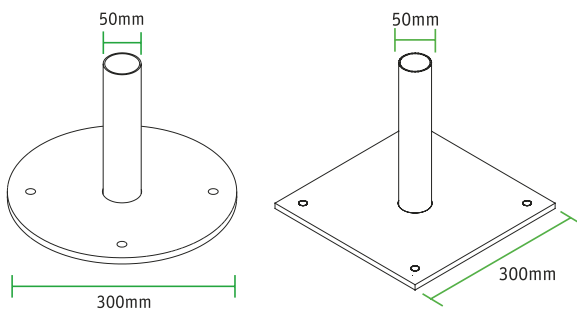
Mill Finish

Powder Coated to RAL of BS Colour

Length	Post Shape	Finish
1000mm	50mm <sup>2</sup>	Mill
1500mm	50mm <sup>2</sup>	Mill
2000mm	50mm <sup>2</sup>	Mill
2500mm	50mm <sup>2</sup>	Mill
3000mm	50mm <sup>2</sup>	Mill

1000mm	50mm <sup>2</sup>	Powder Coated
1500mm	50mm <sup>2</sup>	Powder Coated
2000mm	50mm <sup>2</sup>	Powder Coated
2500mm	50mm <sup>2</sup>	Powder Coated
3000mm	50mm <sup>2</sup>	Powder Coated

Cut to length available



## Caps and Clips

Have you got yours? We supply fixings to match your posts to complete your look.

See fixings page 48 for details.





## Welded Baseplate with 76mm Posts



Mill Finish

Powder Coated to RAL of BS Colour

Length	Post Shape	Finish
1000mm	76mm Dia.	Mill
1500mm	76mm Dia.	Mill
2000mm	76mm Dia.	Mill
2500mm	76mm Dia.	Mill
3000mm	76mm Dia.	Mill
1000mm	76mm Dia.	Powder Coated
1500mm	76mm Dia.	Powder Coated
2000mm	76mm Dia.	Powder Coated
2500mm	76mm Dia.	Powder Coated
3000mm	76mm Dia.	Powder Coated

Cut to length available

## Anchor Sleeves

We stock M12 anchor bolts for fixing to a solid mounting surface. Our 75mm bolts are ideal for wall fixing and the 125mm variation are designed for ground fixing.



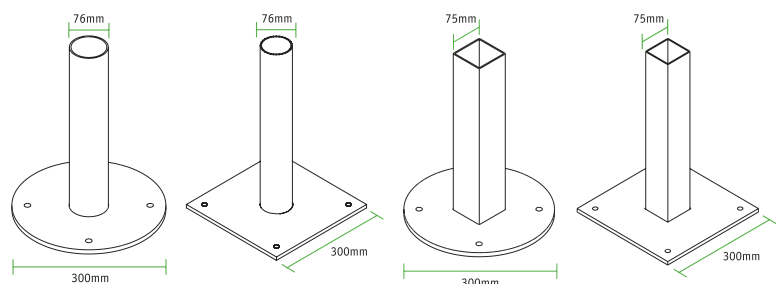
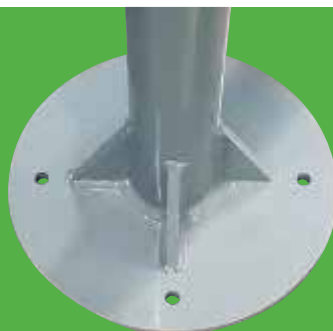
Length	Quantity
75mm	1
75mm	Box of 25
125mm	1
125mm	Box of 25

Length	Post Shape	Finish
1000mm	75mm <sup>2</sup>	Mill
1500mm	75mm <sup>2</sup>	Mill
2000mm	75mm <sup>2</sup>	Mill
2500mm	75mm <sup>2</sup>	Mill
3000mm	75mm <sup>2</sup>	Mill
1000mm	75mm <sup>2</sup>	Powder Coated
1500mm	75mm <sup>2</sup>	Powder Coated
2000mm	75mm <sup>2</sup>	Powder Coated
2500mm	75mm <sup>2</sup>	Powder Coated
3000mm	75mm <sup>2</sup>	Powder Coated

Cut to length available

## Webbing?

On posts over 3500mm welded webbing is required for strength.



# Post Caps

We supply post caps to fit all standard and non-standard, stock post extrusions (in varying styles).

## KEY INFORMATION

- Lead times start at same day despatch
- Internal, external or screw fix mounting styles
- Stock colours; black (plastic) or mill and white (speciality)

### Plastic Round Post Caps

#### Product Information

- Mount style; Internal

Size	Finish
50mm	Black
76mm	Black
89mm	Black
114mm	Black
140mm	Black
168mm	Black



### External Plastic Round Post Caps

#### Product Information

- Mount style; External

Size	Finish
140mm	Grey
168mm	Grey



### Plastic Square Post Caps

#### Product Information

- Mount style; Internal

Size	Finish
50 x 50mm	Black
75 x 75mm	Black
100 x 100mm	Black





Colour Coded Post Caps

Product Information

- Mount style; Internal



Size	Finish
76mm	Black
76mm	Grey
76mm	White
76mm	Light Blue
76mm	Medium Blue
76mm	Dark Blue
76mm	Light Green
76mm	Dark Green
76mm	Burgundy
76mm	Red
76mm	Orange
76mm	Yellow
76mm	Beige
76mm	Brown



Have you got the clips for your post?

You will find the clips on page 53.



## Metal Round Post Caps

### Product Information

- Mount style; Screw fixed

Size	Finish
60mm	Mill
60mm	Silver Anodised

Mill Finish

Silver Anodised

Powder Coated to RAL of BS Colour



## Metal 'D' Post Caps

### Product Information

- Mount style; Screw fixed

Size	Finish
76mm	Mill
76mm	White

Mill Finish

White RAL9016

Powder Coated to RAL of BS Colour



## Metal Shaped Post Caps

### Product Information

- Mount style; Screw fixed

Mill Finish

White RAL9016

Powder Coated to RAL of BS Colour

To Suit	Finish
Cathedral	Mill
Cathedral	Powder Coated
Quadrant	Mill
Quadrant	Powder Coated
Triangular	Mill
Triangular	White
Ellipse	Mill
Ellipse	White
Ellipse	Powder Coated

Cathedral



Quadrant



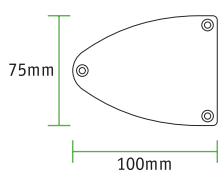
Triangular



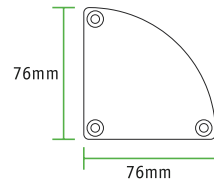
Ellipse



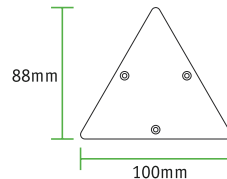
Cathedral



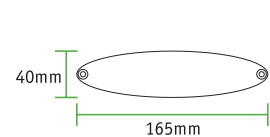
Quadrant



Triangular



Ellipse



# Finials

Aluminium Finials are the finishing touch to any post mounted signage system. Instead of a standard post cap a finial can give added impact.

**KEY INFORMATION**

- Lead times start at same day despatch
- Available in white, grey, black & gold from stock or powder coated to a RAL or BS colour

## Round Ball Finials

**Product Information**

- To suit post profile; Round
- Material; Cast aluminium
- Mount style; External



- Mill Finish
- Grey BS381C 693
- White RAL9016
- Black RAL9005
- Gold
- Powder Coated to RAL or BS Colour

Size	Finish
50mm	Mill
50mm	Grey
50mm	White
50mm	Black
50mm	Gold
50mm	Powder Coated
50mm	Wet Coated
76mm	Mill
76mm	Grey
76mm	White
76mm	Black
76mm	Gold
76mm	Powder Coated
76mm	Wet Coated
89mm	Mill
89mm	Grey
89mm	White
89mm	Black
89mm	Gold
89mm	Powder Coated
89mm	Wet Coated
114mm	Mill
114mm	Grey
114mm	White
114mm	Powder Coated
114mm	Wet Coated
140mm	Mill
140mm	Grey
140mm	White
140mm	Powder Coated
140mm	Wet Coated
168mm	Mill
168mm	Grey
168mm	White
168mm	Powder Coated
168mm	Wet Coated



Powder / Wet coating may have an excess charge

## Square Ball Finials

### Product Information

- To suit post profile; Square
- Mount style; External
- Material; Cast aluminium



Finish	Size	Finish
Mill	50 x 50mm	Mill
Grey BS381C 693	50 x 50mm	Grey
	50 x 50mm	White
	50 x 50mm	Black
White RAL9016	50 x 50mm	Gold
	50 x 50mm	Powder Coated
Black RAL9005	50 x 50mm	Wet Coated
	75 x 75mm	Mill
Gold	75 x 75mm	Grey
	75 x 75mm	White
Powder Coated to RAL of BS Colour	75 x 75mm	Black
	75 x 75mm	Gold
	75 x 75mm	Powder Coated
	75 x 75mm	Wet Coated
	100 x 100mm	Mill
	100 x 100mm	Grey
	100 x 100mm	White
	100 x 100mm	Black
	100 x 100mm	Gold
	100 x 100mm	Powder Coated
	100 x 100mm	Wet Coated

## 76mm Round Dome Finials

### Product Information

- To suit post profile; 76mm Round
- Mount style; External
- Material; Cast aluminium



Finish	Size	Finish
Mill	76mm	Mill
Black RAL9005	76mm	Grey
	76mm	White
	76mm	Black
Grey BS381C 693	76mm	Gold
	76mm	Powder Coated
White RAL9016	76mm	Wet Coated
	76mm	Mill



76mm Round Base Embellisher



**Product Information**  
 - To suit post profile; 76mm Round  
 - Mount style; External  
 - Material; Cast aluminium

Mill Finish

Black RAL9005

Grey BS381C 693

Gold

White RAL9016

Powder Coated to RAL of BS Colour

Size	Finish
76mm	Mill
76mm	Grey
76mm	White
76mm	Black
76mm	Gold
76mm	Powder Coated
76mm	Wet Coated



76mm Round Alpine Finial



**Product Information**  
 - To suit post profile; 76mm Round  
 - Mount style; External  
 - Material; Cast aluminium

Mill Finish

Black RAL9005

Grey BS381C 693

Gold

White RAL9016

Powder Coated to RAL of BS Colour

Size	Finish
76mm	Mill
76mm	Grey
76mm	White
76mm	Black
76mm	Gold
76mm	Powder Coated
76mm	Wet Coated



76mm Round Gothic Finial



**Product Information**  
 - To suit post profile; 76mm Round  
 - Mount style; External  
 - Material; Cast aluminium

Mill Finish

Black RAL9005

Grey BS381C 693

Gold

White RAL9016

Powder Coated to RAL of BS Colour

Size	Finish
76mm	Mill
76mm	Grey
76mm	White
76mm	Black
76mm	Gold
76mm	Powder Coated
76mm	Wet Coated



# Need something a bit different?

We can create bespoke finial toppers for 76mm round posts with your customers logo. Routed aluminium panels are welded into dome finials and powder coated to match your posts.



## Steel Baseplates

Our baseplates are attached to posts and inserted in to the ground, they assist with; anti-theft, anti-rotation and avoid subsidence of the post.

Post Size	Product Code
50mm	50BP
76mm	76BP
89mm	89BP
114mm	114BP
140mm	140BP
168mm	168BP

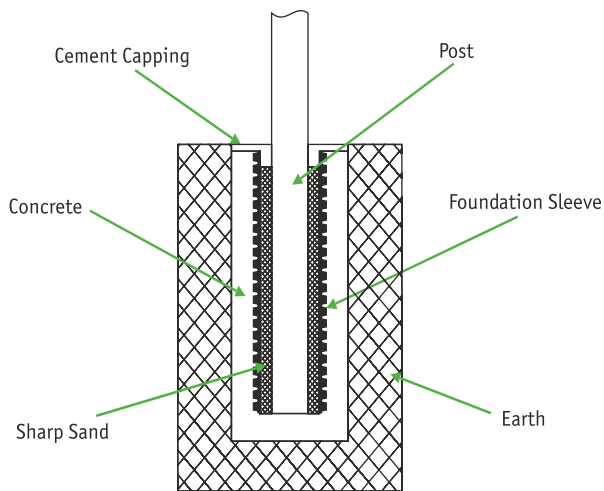


### KEY INFORMATION

- Lead times start at same day despatch
- Suitable for round posts

## Foundation Sleeves

Commonly used on larger systems to expedite the process of post installation by concreting in the foundation sleeves prior to installation.



### KEY INFORMATION

- Requirements; Concrete, Cement & Sharp Sand
- Hole needs to be 25mm bigger than Sleeve all round

Length	Width	To Suit	Finish
750mm	100mm	50mm	Black
1000mm	100mm	50mm	Black
1200mm	100mm	50mm	Black
1500mm	100mm	50mm	Black
750mm	150mm	76, 89 & 114 mm	Black
1000mm	150mm	76, 89 & 114 mm	Black
1200mm	150mm	76, 89 & 114 mm	Black
1500mm	150mm	76, 89 & 114 mm	Black
1000mm	225mm	140 & 168mm	Black
1200mm	225mm	140 & 168mm	Black
1500mm	225mm	140 & 168mm	Black
1000mm	300mm	244mm	Black
1200mm	300mm	244mm	Black
1500mm	300mm	244mm	Black
1000mm	375mm	273mm	Black
1200mm	375mm	273mm	Black
1500mm	375mm	273mm	Black
2000mm	375mm	273mm	Black

# Sign Fixings

We stock a huge range of very high quality fixings - from post clips in all standard and many non-standard sizes, for both round and square posts through to stand-off locators, colour coded fixings and much more. Clip extrusion and angle are also included within the range.

Category Contents	
Standard Extrusions	50
Sign Post Clips	53
Clamps & Brackets	57
Glass Clamps	60
Sign Locators	61
Banding	62
Colour Coded Fixings	64
Suspended Sign Fixings	67

Prepped for Finishing



Vinyl Faced



Digital Print



Vinyl Text



Painted



Wood Effect



Shaping Options



Radius Corners



Holes



Clip Extrusion



Fret Cut



Flame Polish



LED Illumination







# Standard Extrusions

Clip extrusion & fixing profiles are fixings used to fasten Ashby systems to their appropriate mounting surfaces.

## KEY INFORMATION

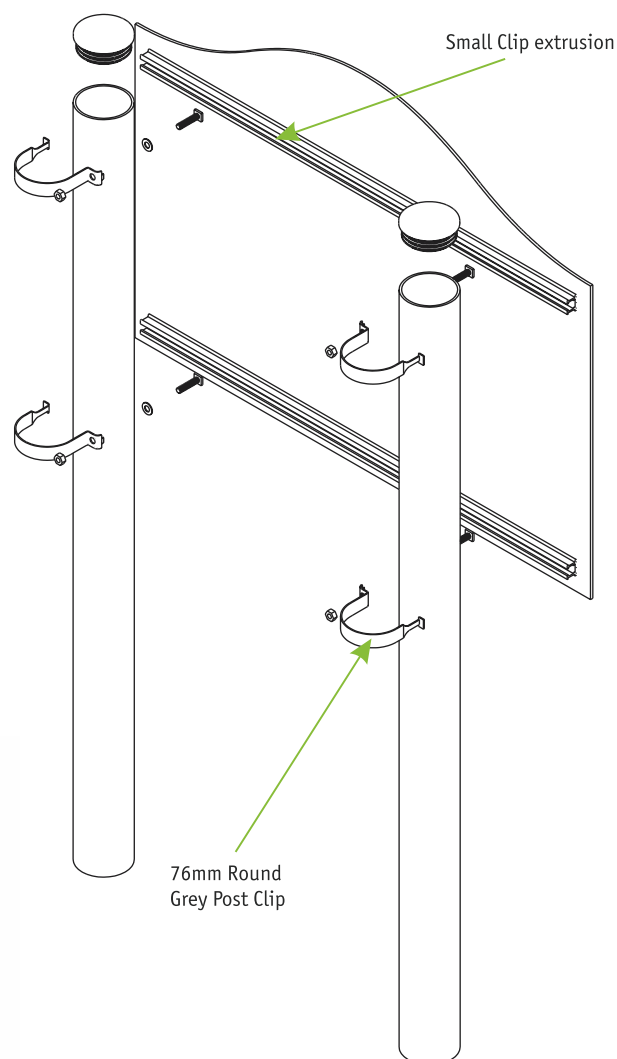
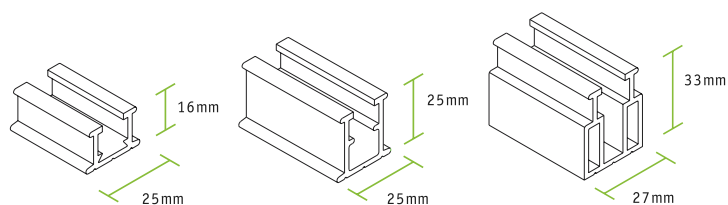
- Extruded from 6063 T6 aluminium
- Same day despatch (either from stock or cut-to-size)

### Clip Extrusion

Length	Size	Finish
3000mm	Small	Grey
5000mm	Small	Grey
3000mm	Medium	Grey
5000mm	Medium	Grey
5000mm	Large	Grey
6000mm	Large	Grey

Grey  
BS381C 693

Cut to length available



Small Clip Extrusion



## Interlocking Clip Extrusion

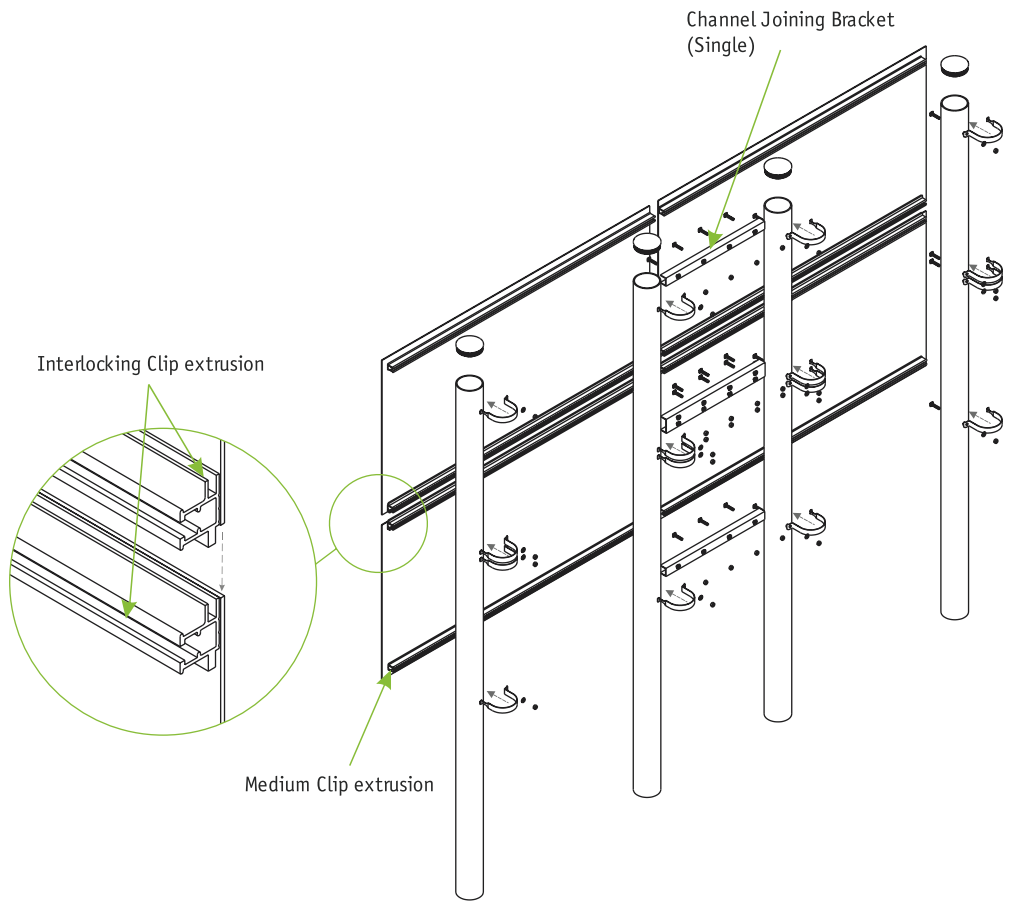
### Key Information

- Interlocks using one extrusion

Length	Size	Finish
5000mm	37 x 25mm	Grey
Cut to length available		



Interlocking Clip Extrusion



Have you got post clips for your clip extrusion?

You will find clips on page 53



## T Channel

### Key Information

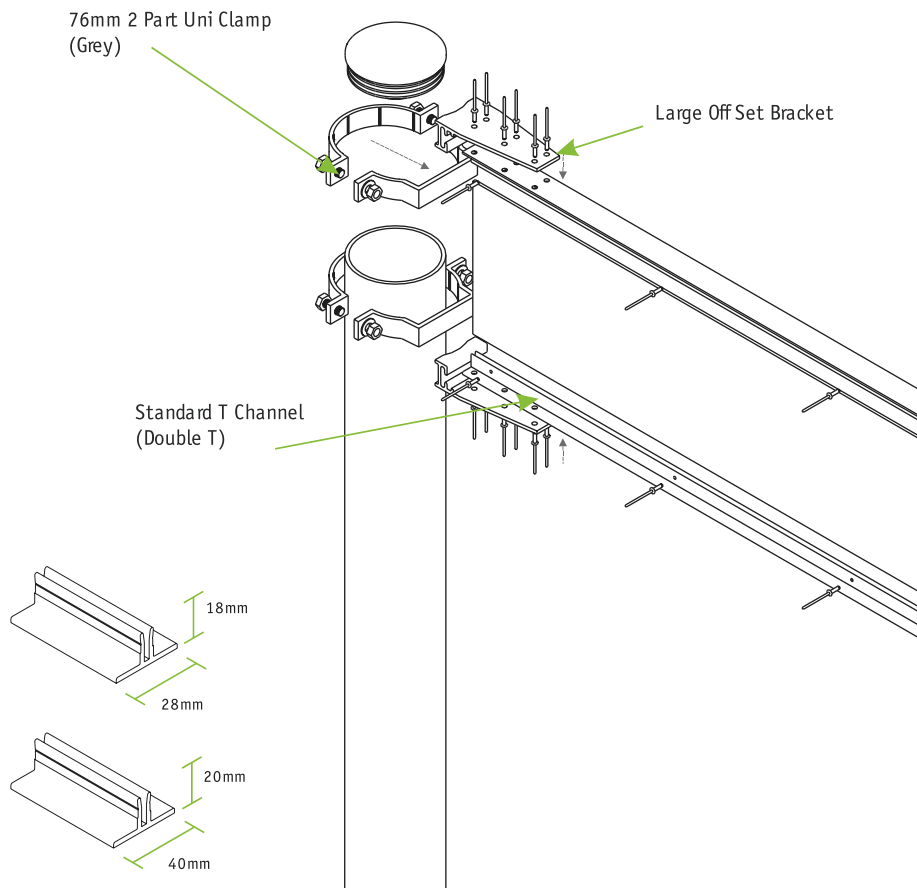
- Small is suitable for panels under 0.3m<sup>2</sup>
- Large is suitable for panels over 0.3m<sup>2</sup>

Length	Size	Finish
2000mm	Small	Mill
2000mm	Small	Grey
2000mm	Small	Powder Coated
3000mm	Large	Mill
3000mm	Large	Grey
3000mm	Large	Powder Coated

Mill Finish

Grey  
BS381C 693

Powder Coated to RAL of BS Colour



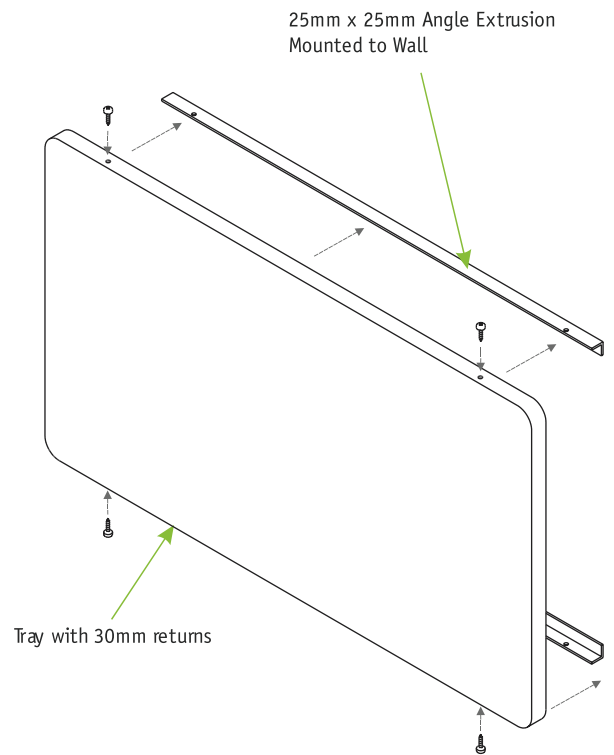
## Angle Extrusion

Length	Size	Finish
3000mm	20 x 20mm	Grey
3000mm	25 x 25mm	Grey
3000mm	40 x 40mm	Grey
4000mm	40 x 40mm	Grey
5000mm	40 x 40mm	Grey
3050mm	40 x 40mm	Mill
6000mm	50 x 50mm	Grey

Mill Finish

Grey  
BS381C 693

Cut to length available



# Post Clips

Clips are required to mount panels with clip extrusion to posts. We offer them in standard and non-standard sizes in a range of finishes, powder coating is available for standard RAL and BS colours.

## Single Bolt Round Post Clips

### Key Information

- Quantity discounts apply - call us for details
- Material; Stainless steel
- Complete with 1x M8 35mm square head bolt with nut and washer

Size	Finish
50mm	Stainless Steel
50mm	Grey
50mm	White
50mm	Black
50mm	Powder Coated
60mm	Stainless Steel
76mm	Stainless Steel
76mm	Grey
76mm	White
76mm	Black
76mm	Powder Coated
89mm	Stainless Steel
89mm	Grey
89mm	White
89mm	Powder Coated
102mm	Stainless Steel
114mm	Stainless Steel
114mm	Grey
114mm	White
114mm	Powder Coated

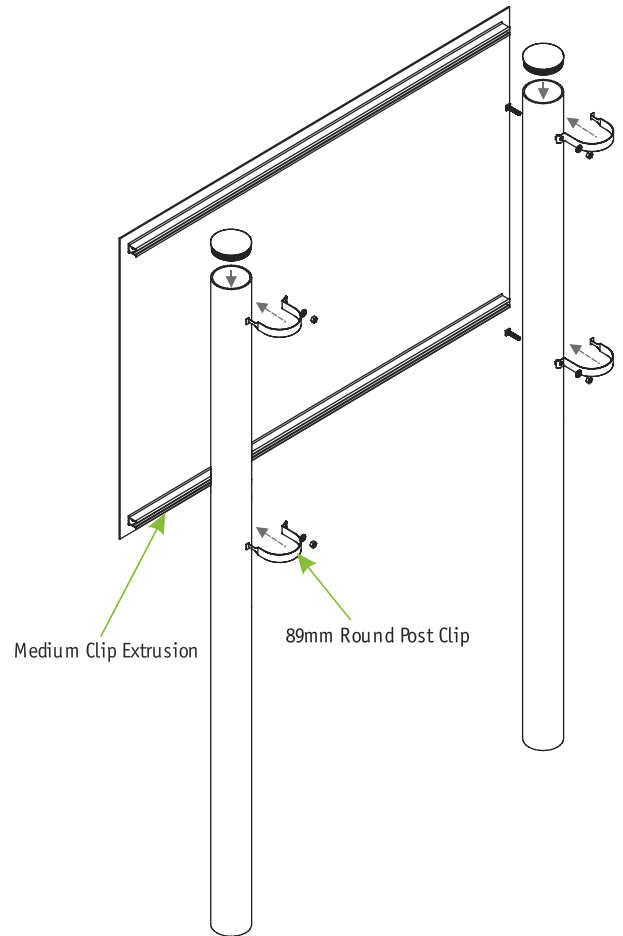
Stainless Steel

Grey  
BS381C 693

White  
RAL9016

Black  
RAL9005

Powder Coated to RAL or BS Colour



## Two Bolt Round Post Clips

### Key Information

- Quantity discounts apply - call us for details
- Material; Stainless steel
- Complete with 2x M8 35mm square head bolts with nuts and washers

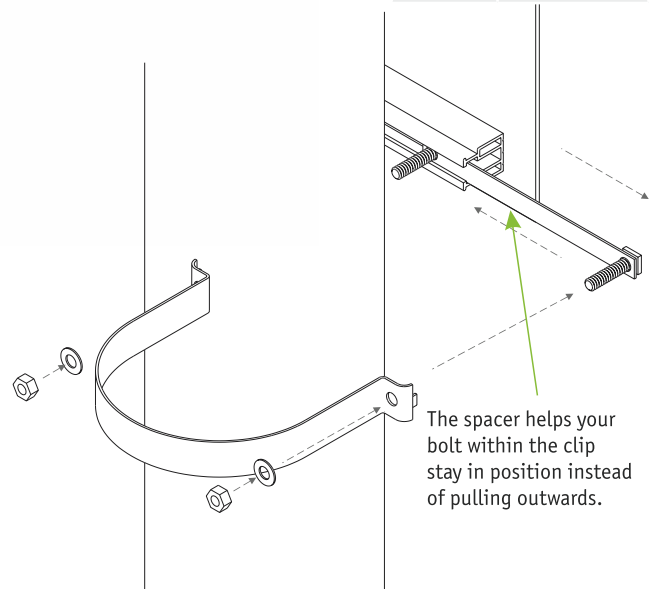
Stainless Steel

Grey  
BS381C 693

White  
RAL9016

Powder Coated to RAL of BS Colour

Size	Finish
127mm	Stainless Steel
140mm	Stainless Steel
140mm	Grey
140mm	White
140mm	Powder Coated
168mm	Stainless Steel
168mm	Grey
168mm	White
168mm	Powder Coated
194mm	Stainless Steel
219mm	Stainless Steel
244mm	Stainless Steel
273mm	Stainless Steel



## Square & Rectangular Post Clips

### Key Information

- Quantity discounts apply - call us for details
- Material; Stainless steel
- Complete with 2x M8 35mm square head bolts with nuts and washers

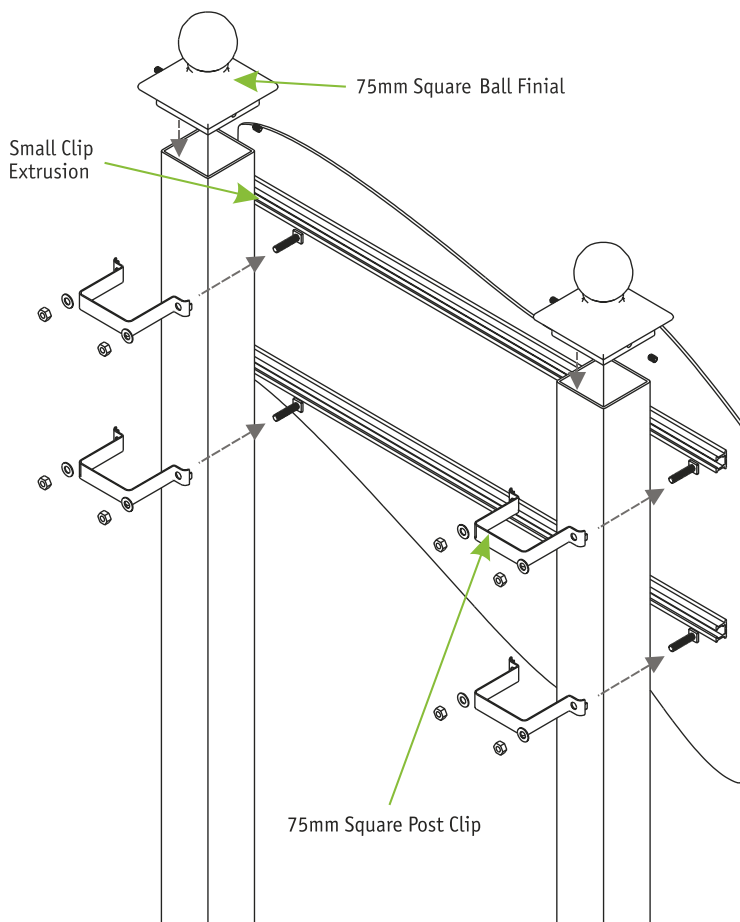
Size	Finish
50 x 50mm	Stainless Steel
50 x 50mm	Grey
50 x 50mm	White
50 x 50mm	Powder Coated
75 x 75mm	Stainless Steel
75 x 75mm	Grey
75 x 75mm	White
75 x 75mm	Powder Coated
80 x 40mm	Stainless Steel
80 x 80mm	Stainless Steel
100 x 50mm	Stainless Steel
50 x 100mm	Stainless Steel
100 x 100mm	Stainless Steel
100 x 100mm	Grey
100 x 100mm	White
100 x 100mm	Powder Coated
150 x 150mm	Stainless Steel

Mill Finish

Grey  
BS381C 693

White  
RAL9016

Powder Coated to RAL or BS Colour



Internal Plastic Caps Available For All Square Posts

50 x 50mm



75 x 75mm



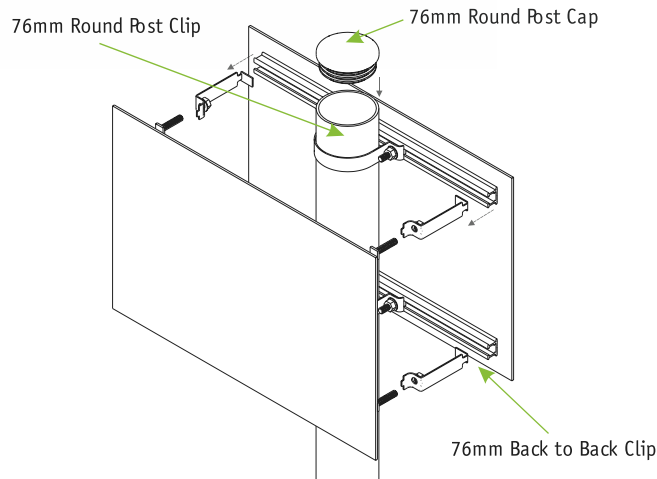
100 x 100mm



## Back to Back clips

### Key Information

- Material; Stainless steel
- Complete with; 1x M8 35mm square head bolt with nut and washer



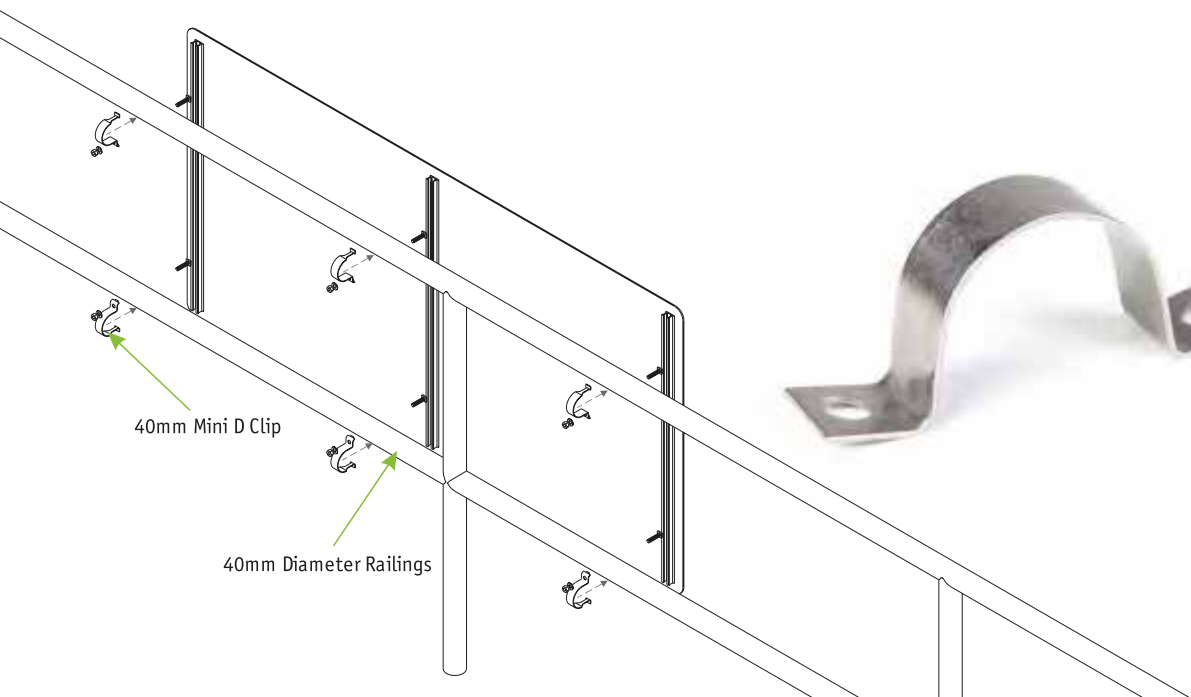
Stainless Steel

Size	Finish
50mm	Stainless Steel
60mm	Stainless Steel
76mm	Stainless Steel
89mm	Stainless Steel
102mm	Stainless Steel
114mm	Stainless Steel
127mm	Stainless Steel
140mm	Stainless Steel
168mm	Stainless Steel
194mm	Stainless Steel
219mm	Stainless Steel
244mm	Stainless Steel
273mm	Stainless Steel

## Mini D clips

### Key Information

- Material; Stainless steel
- Complete with; 2x M8 35mm square head bolts with nuts and washers



Stainless Steel

Size	Finish
13mm	Stainless Steel
16mm	Stainless Steel
19mm	Stainless Steel
25mm	Stainless Steel
32mm	Stainless Steel
35mm	Stainless Steel
40mm	Stainless Steel



# Clamps & Brackets

We realise you don't always need to put signs on posts, so we stock a number of Sign Fixings for other purposes.

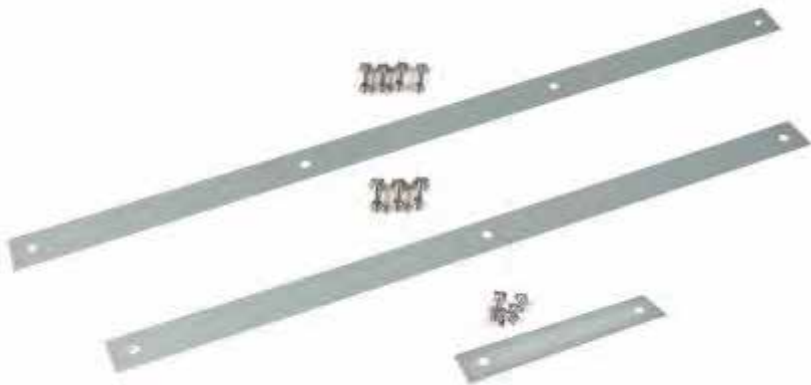
## KEY INFORMATION

- Same day despatch

### Fence Fixing Plates

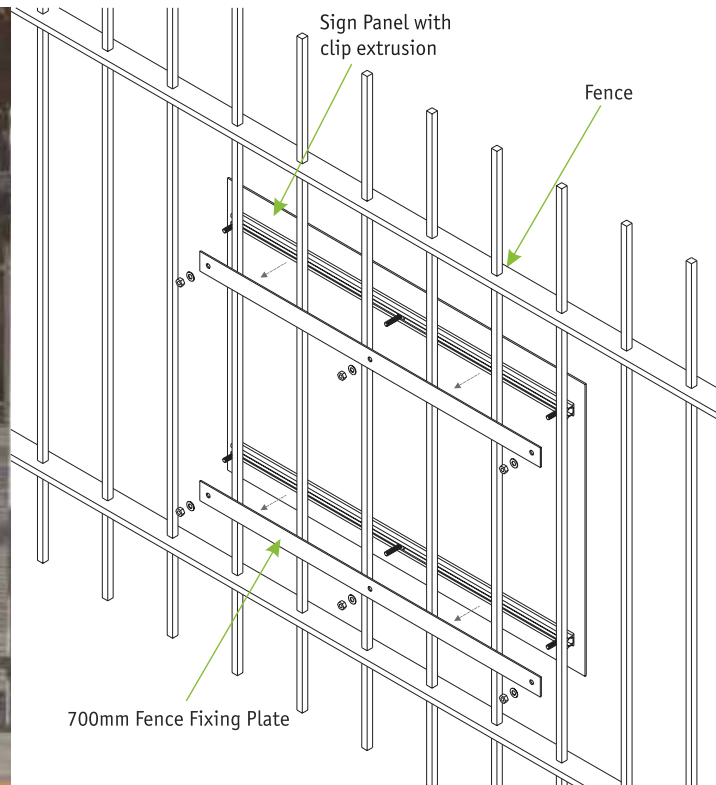
#### Key Information

- Material; 2.5mm aluminium
- Complete with 2-4 x M8 35/60mm square head bolts with nuts and washers (Depending on width)



Grey  
BS381C 693

Size	No. of Bolts	Finish
100mm	2	Grey
150mm	2	Grey
200mm	2	Grey
250mm	2	Grey
300mm	2	Grey
350mm	2	Grey
400mm	2	Grey
450mm	2	Grey
500mm	2	Grey
550mm	2	Grey
600mm	2	Grey
650mm	3	Grey
700mm	3	Grey
750mm	3	Grey
800mm	3	Grey
850mm	3	Grey
900mm	4	Grey
950mm	4	Grey
1000mm	4	Grey



## Clip Extrusion Joining Brackets

### Key Information

- Material; 1050A aluminium
- Supplied with 4 or 8x M8 35mm square head bolts with nuts and washers
- This product is **not** suitable for use with large clip extrusion

Product	No. of Bolts	Size	Finish
Single Joining Bracket	4	450 x 30 x 27mm	Grey
Double Joining Bracket	8	450 x 55 x 27mm	Grey

Grey  
BS381C 693



Single Joining Bracket

Double Joining Bracket

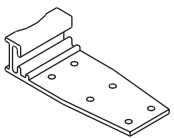
## Offset Brackets

### Key Information

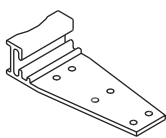
- Post mounted with banding or uni clamp

Type	Size	Finish
Small	116 x 51 x 28mm	Grey
Large	116 x 51 x 28mm	Grey

Grey  
BS381C 693



Offset Bracket (large)



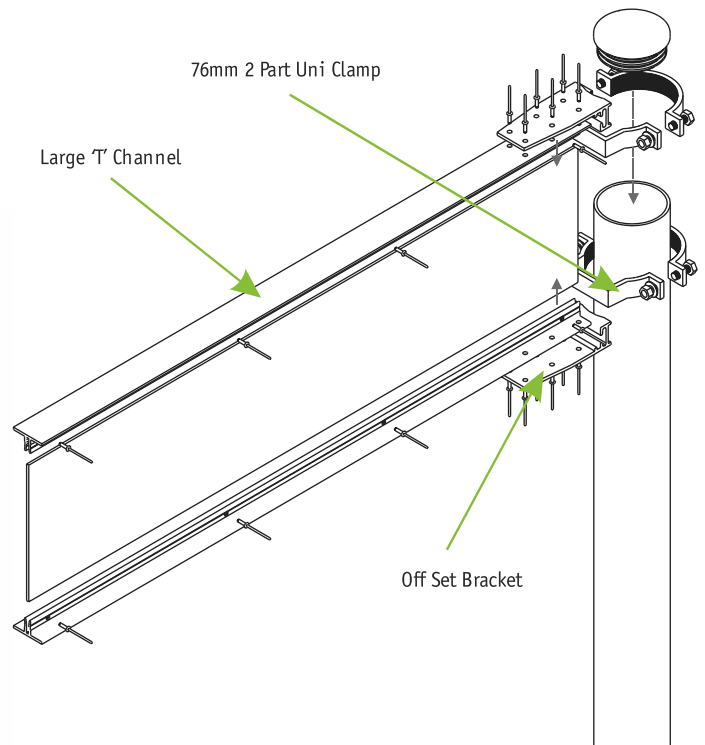
Offset Bracket (small)



## Two Part Uni Clamp

### Key Information

- Fixing requirement; 2x M8 20mm hex head bolts with nuts and washers



	Size	Finish
Stainless Steel	76mm	Stainless Steel
	76mm	Grey
Grey BS381C 693	76mm	Powder Coated
	89mm	Stainless Steel
Powder Coated to RAL of BS Colour	89mm	Grey
	89mm	Powder Coated

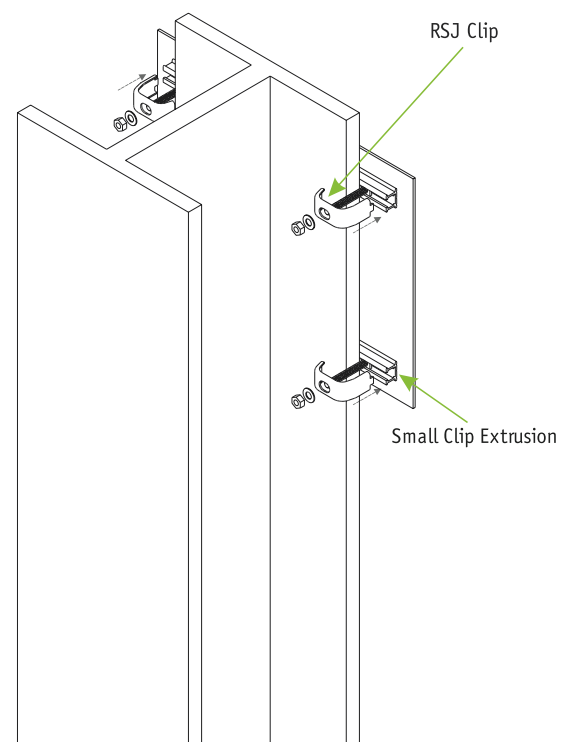
## RSJ Clip

### Key Information

- Material; Stainless steel
- Complete with 1x M8 32mm square head bolt with nyloc nut and washer



Size	Finish	Material
40 x 20 x 21mm	Stainless Steel	Stainless Steel



# Glass Clamps

Glass clamps enable acrylic panels to be fixed to post sections (suspended and post mounted) and to walls (projecting).

**KEY INFORMATION**

- Lead times start at same day despatch
- Zamac for powder/wet coating to specific colours

## Glass Clamps

### Key Information

- Material; 304 grade stainless steel/zamac (zinc based alloy)
- 10mm hole @ 25mm hole centre in Panel



Stainless Steel

Zamac

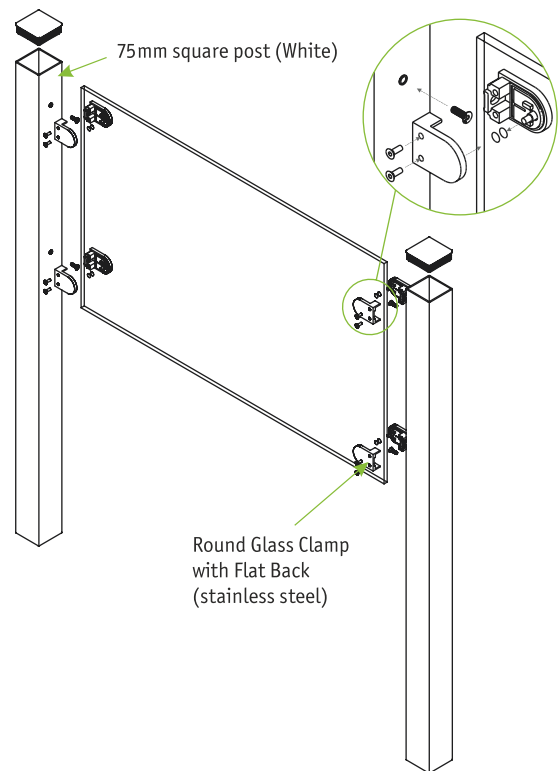
Powder Coated to RAL of BS Colour

Outer Shape	Back Shape	Size	Finish
Round	Radius	66 x 45 x 27mm	Stainless Steel
Round	Radius	66 x 45 x 27mm	Zamac
Square	Radius	66 x 45 x 27mm	Powder Coated
Square	Radius	59 x 53 x 30mm	Stainless Steel
Square	Radius	59 x 53 x 30mm	Zamac
Square	Radius	59 x 53 x 30mm	Powder Coated
Round	Flat	63 x 45 x 28mm	Stainless Steel
Round	Flat	63 x 45 x 28mm	Zamac
Round	Flat	63 x 45 x 28mm	Powder Coated
Square	Flat	55 x 53 x 30mm	Stainless Steel
Square	Flat	55 x 53 x 30mm	Zamac
Square	Flat	55 x 53 x 30mm	Powder Coated

**Supplied complete with:**

- 1x M8 20mm socket cap screw
- 2 x Rubber spacers (to suit 10mm substrate)
- 2x M6 set screws (including press in cover caps)
- 1 x Locating pin

**Glass clamps can be used to create projecting or suspended signage as well as mounting to posts**



**KEY INFORMATION**

- Lead times start at same day despatch
- Supplied as a 3 part set (male, female & wall cup)

# Sign Locators

Manufactured in brass and finished in either chrome or satin plating. These fixings are available in small, medium and large variations and compliment the glass effect and aluminium panel ranges.

## Stand-Off Connectors

Size	Panel Thickness	Hole Size	Overall Size	Finish
Small	2 - 6mm	6mm	12 x 25.8mm	Chrome
Small	2 - 6mm	6mm	12 x 25.8mm	Satin Anodised
Medium	2 - 10mm	6mm	16 x 30.5mm	Chrome
Medium	2 - 10mm	6mm	16 x 30.5mm	Satin Anodised
Large	5 - 10mm	11mm	25 x 35.5mm	Chrome
Large	5 - 10mm	11mm	25 x 35.5mm	Satin Anodised



Small Stand-Off



Large Stand-Off



Medium Stand-Off



## Locators

**Key Information**

- Material; Brass (plated) or plastic
- Fixing requirement; 1x machine screw and 2 piece glue (plastic locators)



- Plated
- Opal
- Clear

Product	Size	Material
Brass Locator	14.7 x 17.4mm	Brass
Small Plastic Locator	8 x 8 x 11.4mm	Plastic
Medium Plastic Locator	16 x 16 x 16mm	Plastic
Large Plastic Locator	20 x 20 x 26mm	Plastic

# Banding

## KEY INFORMATION

- Lead times start at same day despatch
- Screwbanding Manufactured from stainless steel and pre-equipped with a captive housing screw

Sign clamps also known as universal channel clamps (or UCC's) & banding are an alternative method for fixing channelled and non-channelled sign panels to posts.

## Buckle Banding

### Key Information

- Screwband Size; 13mm x 30.48m, 19mm x 30.48m
- Material; Stainless steel

Product	Size	Quantity
13mm Banding	13mm x 30.48m	---
19mm Banding	19mm x 30.48m	---
13mm Buckles	13mm	Box of 100
19mm Buckles	19mm	Box of 100

Stainless Steel



Banding Tools available

- Handypacks come complete with 25 captive housing units to create your

## Screwband with Captive Housing Screw

### Key Information

- Material; Stainless steel
- 18", 24" and 36" Screwbands are pre-built (ready to use)
- Handypacks come complete with 25 captive housing units to create your own length screwbands

Product	Size
18" Screwband	11mm x 460mm
24" Screwband	11mm x 610mm
36" Screwband	11mm x 915mm
HandyPack	11mm x 10m

Stainless Steel



## Universal Channel Clamp (UCC)

### Key Information

- Material; Stainless steel
- For use with Banding / Screwbanding to clip extrusion

Size
72 x 30 x 32mm

Stainless Steel



## What size do I need to cut my banding to fit my post?

Measurements given are inclusive of the 50mm required for the captive housing unit.

Diameter Post	Banding Length
76mm	288mm
114mm	410mm
140mm	489mm
168mm	577mm



## VHB Tape Rolls

### Key Information

- Temperature resistance; -40°C to 95°C
- Only supplied as rolls
- Material thickness; 1.1mm

Material usage	Width	Length
Metal to metal	19mm	33m
Metal to metal	25mm	33m
Metal to Acrylic or Acrylic to Acrylic	12mm	33m
Metal to Acrylic or Acrylic to Acrylic	19mm	33m
Metal to Acrylic or Acrylic to Acrylic	25mm	33m

### How should I prepare the surface of my signage before using VHB tape?

Step 1: Rub the surfaces down with a fine abrasive pad.

Step 2: Wipe down the surfaces using IPA (alcohol)/water mixture.

Step 3: Dry the surfaces.

Step 4: Make sure that the surfaces are at room temperature.

Step 5: Apply VHB tape.

Step 6: Use a roller and apply pressure.



# Colour Coded Fixings

Our stocks colour coded sign fixings including screws, rivets and screw caps all to match our standard vinyl colours.

Quantity discounts apply on all of our colour coded fixings - call us for details.

## KEY INFORMATION

- Self tapping screws (No.10 x 1" or 4.9mm x 24mm) in 15 colour variations
- Blind rivets (4.8mm x 12mm) in 15 colour variations
- Push on screw cover caps in 19 colour variations

## Coloured Rivets

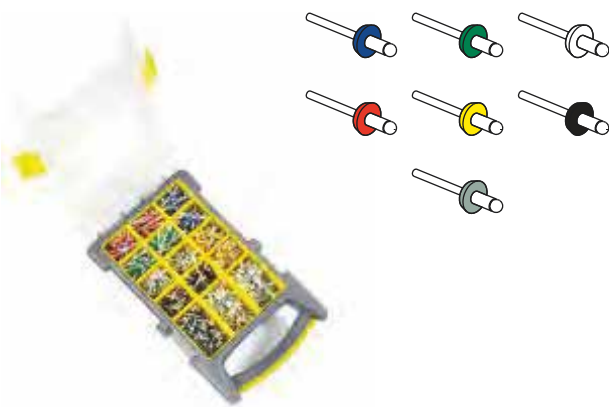
Finish	RAL Match
Light Blue	RAL5012
Medium Blue	RAL5005
Dark Blue	RAL5002
Light Green	RAL6029
Dark Green	RAL6005
White	RAL9016
Burgundy	RAL3004
Red	RAL3020
Orange	RAL2008
Yellow	RAL1023
Beige	RAL1014
Black	RAL9005
Silver	---
Brown	RAL8017
Grey	RAL7042



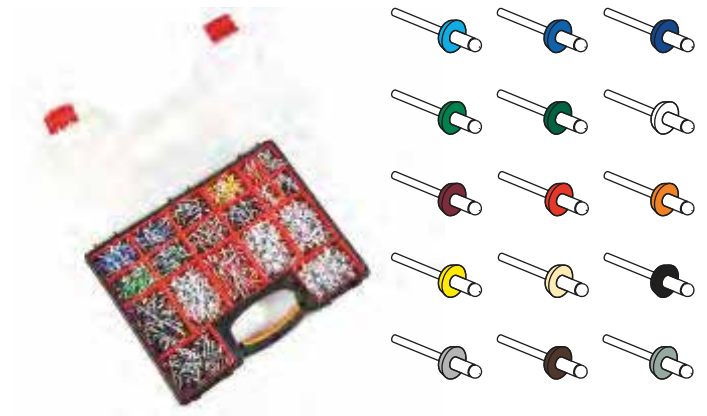
AS01 Light Blue	AS08 Red
AS02 Mid Blue	AS09 Orange
AS03 Dark Blue	AS10 Yellow
AS04 Light Green	AS11 Beige
AS05 Dark Green	AS12 Black
AS06 White	AS14 Silver
AS07 Burgundy	AS15 Brown
	AS16 Grey

## Poly Top Rivet Selection Packs

Finish	Contents
Various	450 Units
Box contains: mid blue AS02 x 50 / light green AS04 x 50 / white AS06 x 100 red AS08 x 50 / yellow AS10 x 50 / black AS12 x 100 grey AS16 x 50	



Finish	Contents
Various	1100 Units
Box contains: light blue AS01 x 50 / mid blue AS02 x 50 / dark blue AS03 x 50 light green AS04 x 50 / dark green AS05 x 50 / white AS06 x 300 burgundy AS07 x 50 / red AS08 x 100 / orange AS09 x 25 yellow AS10 x 50 / beige AS11 x 25 / black AS12 x 200 silver AS14 x 50 / brown AS15 x 50 / grey AS16 x 100	





# Colour Coded Fixings

## Poly Top Screws

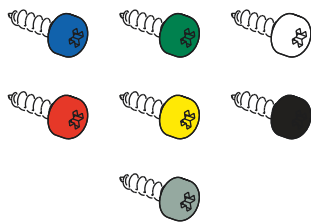
Finish	RAL Match
Light Blue	RAL5012
Medium Blue	RAL5005
Dark Blue	RAL5002
Light Green	RAL6029
Dark Green	RAL6005
White	RAL9016
Burgundy	RAL3004
Red	RAL3020
Orange	RAL2008
Yellow	RAL1023
Beige	RAL1014
Black	RAL9005
Silver	---
Brown	RAL8017
Grey	RAL7042



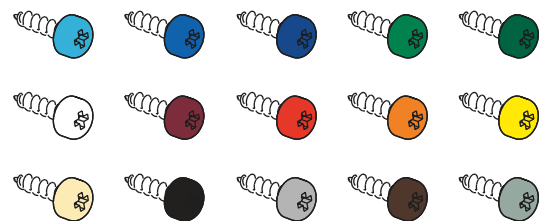
AS01 Light Blue	AS08 Red
AS02 Mid Blue	AS09 Orange
AS03 Dark Blue	AS10 Yellow
AS04 Light Green	AS11 Beige
AS05 Dark Green	AS12 Black
AS06 White	AS14 Silver
AS07 Burgundy	AS15 Brown
	AS16 Grey

## Poly Top Screw Selection Packs

Finish	Contents
Various	550 Units
Box contains: mid blue AS02 x 50 / light green AS04 x 50 / white AS06 x 150 red AS08 x 50 / yellow AS10 x 50 / black AS12 x 150 grey AS16 x 50	



Finish	Contents
Various	1600 Units
Box contains: light blue AS01 x 75 / mid blue AS02 x 75 / dark blue AS03 x 75 light green AS04 x 75 / dark green AS05 x 75 / white AS06 x 400 burgundy AS07 x 75 / red AS08 x 100 / orange AS09 x 25 yellow AS10 x 75 / beige AS11 x 25 / black AS12 x 300 silver AS14 x 50 / brown AS15 x 75 / grey AS16 x 100	



## Screw Caps

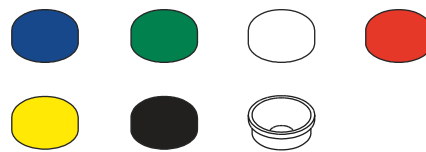
Finish	RAL Match
Light Blue	RAL5012
Medium Blue	RAL5005
Dark Blue	RAL5002
Light Green	RAL6029
Dark Green	RAL6005
White	RAL9016
Burgundy	RAL3004
Red	RAL3020
Orange	RAL2008
Yellow	RAL1023
Beige	RAL1014
Black	RAL9005
Gold	---
Silver	---
Brown	RAL8017
Grey	RAL7042
Polished Gold	---
Chrome	---
Satin Silver	---



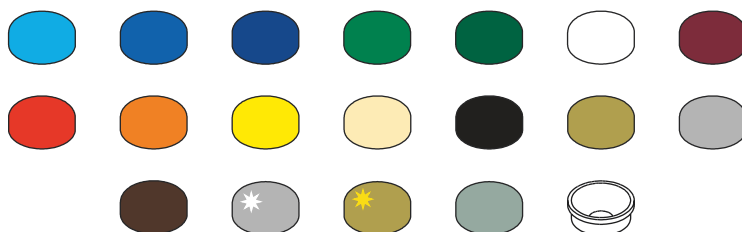
## Screw Cap Selection Packs



Finish	Contents
Various	1350 Units
Box contains: dark blue AS03 x 150 / light green AS04 x 150 / white AS06 x 300 red AS08 x 150 / yellow AS10 x 150 / black AS12 x 300 / Universal Washer x 150	



Finish	Contents
Various	3475 Units
Box contains: light blue AS01 x 100 / mid blue AS02 x 100 / dark blue AS03 x 100 light green AS04 x 200 / dark green AS05 x 100 / white AS06 x 800 burgundy AS07 x 100 / red AS08 x 250 / orange AS09 x 50 / yellow AS10 x 200 cream AS11 x 100 / black AS12 x 400 / gold AS13 x 50 / Silver AS14 x 50 brown AS15 x 100 / polished chrome x 25 / polished gold x 25 / satin silver x 25 Universal Washer x 800	



# Suspended Fixings

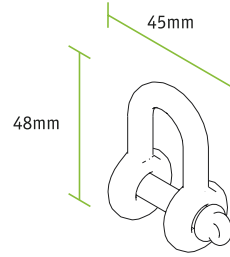
We have fixings for almost any sign application, our suspended fixings are perfect for suspending panel, trays, Modular or Architech.

## Plate & Trays

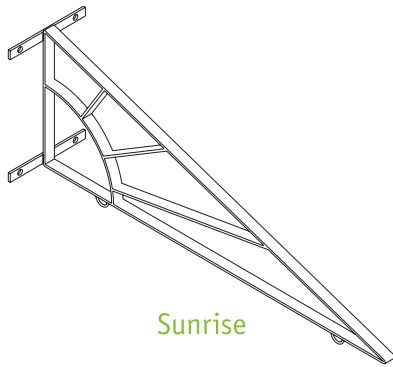
### Key Information

- Stock colours; Silver & black
- 600mm hole centres required for hanging holes

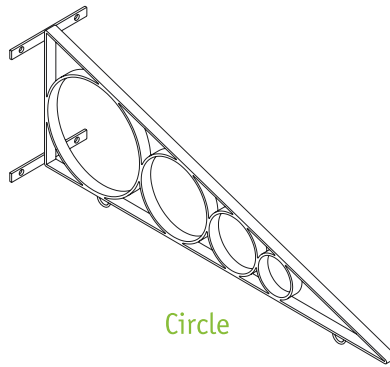
Product	Finish	Material	Bolt Size	Size
M8 Shackle	Silver	Steel	M8	45 x 48mm
Sunrise Hanging Bracket	Black	Steel	---	310 x 900 x 200mm
Circle Hanging Bracket	Black	Steel	---	310 x 900 x 200mm
Scroll Hanging Bracket	Black	Steel	---	310 x 900 x 200mm



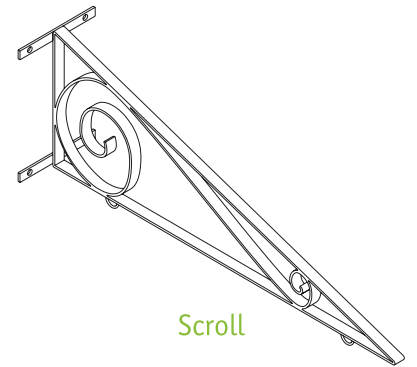
M8 Shackle



Sunrise



Circle



Scroll

Hanging Brackets are ideal for use with our Panel Frame system, panels, trays or even Lightboxes.

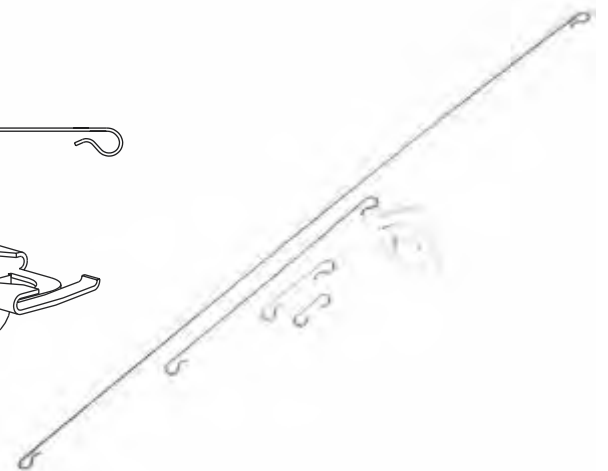
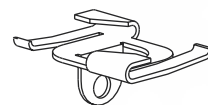


## Modular & Architech

### Key Information

- Stock colours; Silver & white
- Material; Stainless steel

Part	Finish	Material	Length
Hanging Hook	Silver	Stainless Steel	25mm
Hanging Hook	Silver	Stainless Steel	50mm
Hanging Hook	Silver	Stainless Steel	150mm
Hanging Hook	Silver	Stainless Steel	400mm
Suspended Ceiling Clip	White	Steel	---

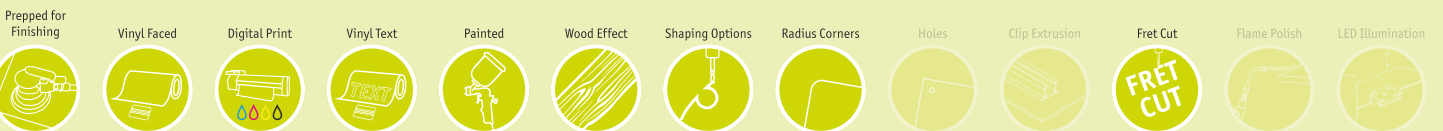


# Aluminium Sleeve Signage System

The Aluminium Sleeve (AS) signage system comprises an extruded collar and a 2.5mm aluminium panel which sits inside. This is then slides over a post and is fixed in place using grub screws. This system can be manufactured in either standard or finger post configurations and with multiple customisation options including: shaped tops, multi panel and 179 powder coat finishes.

## System Overview

	Single Sided	Double Sided	V-Mount	Inline	Corniche
<b>Posts</b>	•	•			
<b>Totem</b>					
<b>Freestanding</b>					
<b>Flat Wall</b>					
<b>Projecting</b>	•	•			
<b>Suspended</b>	•	•			





# Aluminium Sleeve

The post mounted Aluminium Sleeve (AS) signage system features integrated sleeves. Graphics can be applied to both sides in either a standard or fingerpost configuration.

## KEY INFORMATION

- Manufactured from 2.5mm aluminium as standard
- Max width - 1195mm (Face to view)
- Grub screw friction fitting (supplied with all systems)
- Solid blind rivet fixing between panel and sleeve extrusion
- Powder coated product available from upwards of a three day lead time

## Aluminium Sleeve Signage Styles



Post Mounted



Projecting



Fingerpost (Page 94)

## AS500

### Key Information

- Suitable for use with 50mm posts



Mill Finish AS500



Powder Coated AS500



## Painted Aluminium Sleeve Signage

With 179 stock powder coating colours we are sure to have the perfect colour to match your requirements.



AS colours to equivalent RAL Powder colours

AS01	RAL5012	AS06	RAL9016	AS11	RAL1014
AS02	RAL5005	AS07	RAL3004	AS12	RAL9005
AS03	RAL5002	AS08	RAL3020	AS15	RAL8017
AS04	RAL6029	AS09	RAL2008	AS16	RAL7042
AS05	RAL6005	AS10	RAL1023	AS25	RAL5017

Gloss, matt, satin or metallic finishes are available across the range - please remember to specify your preference when placing your order or requesting your quote.

### AS760

#### Key Information

- Suitable for use with 76mm posts



Mill Finish AS760



Powder Coated AS760

## Finishing Touches

We can shape your panels to create a more bespoke looking AS sign.



50 & 76mm Baseplate



50 & 76mm Plastic Internal Post Cap or Finials are both available for AS Signage

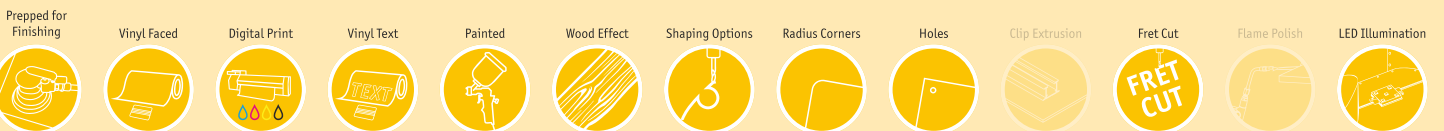
# Hooped Top Signage System

Hooped top signs can be manufactured in hooped, lollipop or gothic configuration according to setting and use.

This system is no more complex than installing a standard tray system and can be added as a feature to the panel or tray systems where a different and bold finish is required.

## System Overview

	Single Sided	Double Sided	V-Mount	Inline	Corniche
<b>Posts</b>	•	•			
<b>Totem</b>					
<b>Freestanding</b>					
<b>Flat Wall</b>					
<b>Projecting</b>	•	•			
<b>Suspended</b>					







**Pottery & Shops**



**Gallery & Cafe**



**Smokehouse**



**Local Produce**



# Hooped Top

Hooped top signs are available for 50 and 76mm posts and can be used in conjunction with trays or panels.

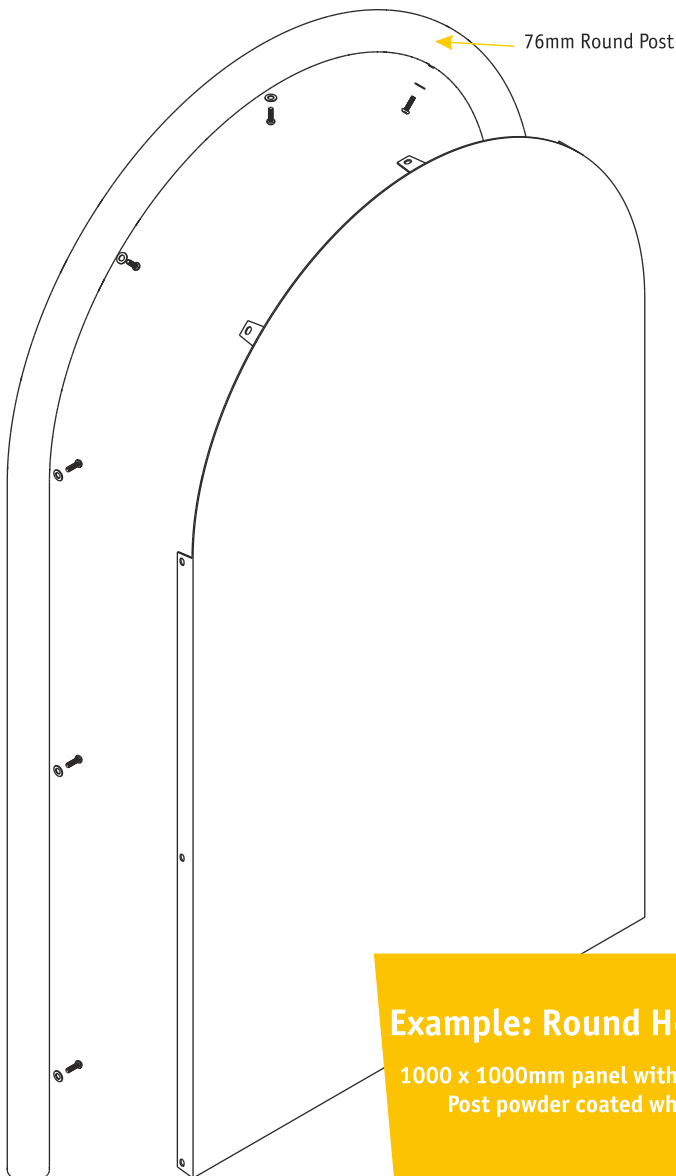
## KEY INFORMATION

- Minimum radius of 300mm
- Hooped, lollipop or gothic shapes
- Available in just five working days
- Suited to 50 and 76mm post dimensions only
- Can be coated to any standard or non-stock colour

## Round Hooped Top

### Key Information

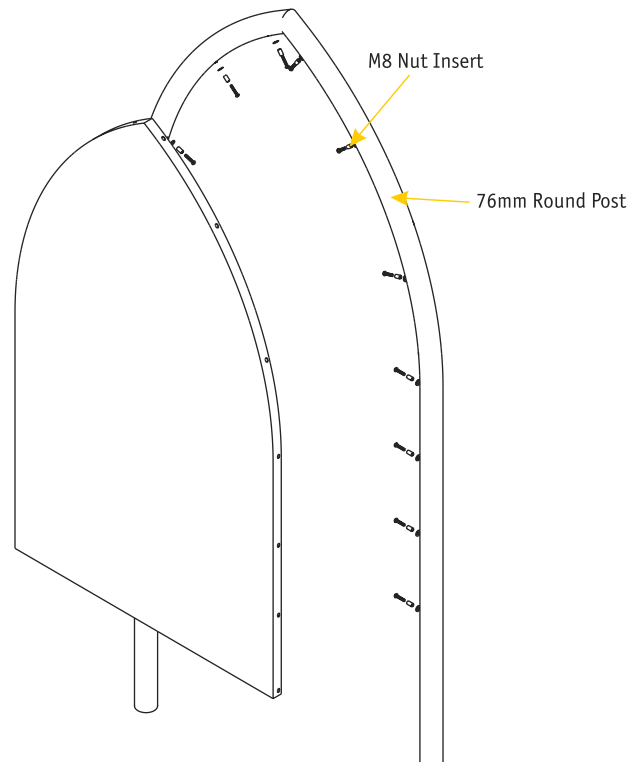
- Max post length 6000mm (in one piece)
- Height and wind loading restrictions apply
- M8 nut insert and bolt fixing (requires allen key for fixing only)
- Welded baseplates can be added to create projecting or suspended signage
- Maximum advised Panel size 1000mm x 1500mm



## Gothic Arch Hooped Top

### Key Information

- Max post length 6000mm (in one piece)
- Height and wind loading restrictions apply
- M8 Nut Insert and bolt fixing (requires allen key for fixing only)
- Maximum advised Panel size 1000mm x 1500mm
- Created by welding two hooped posts together to form the arch



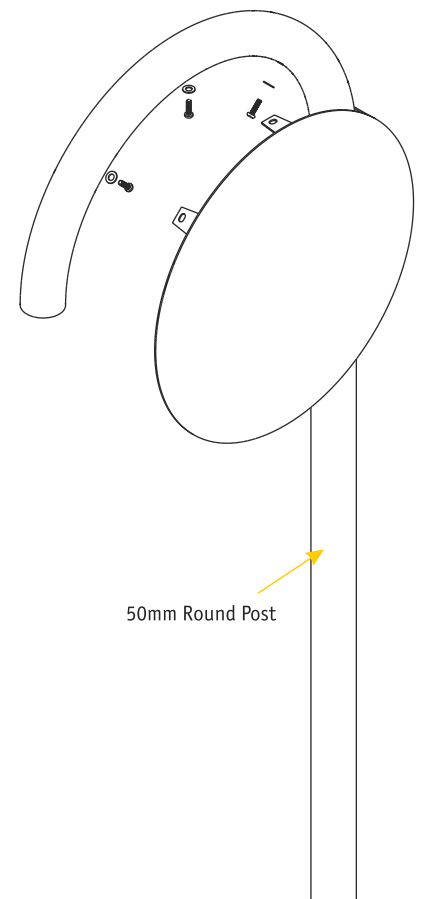
### Example: Gothic Hooped Top

1000 x 1000mm panel with 76mm Hooped Post powder coated white (all over)

## Lollipop Hooped Top

### Key Information

- Max post length 6000mm (in one piece)
- Height and wind loading restrictions apply
- M8 nut insert and bolt fixing (requires allen key for fixing only)
- Welded baseplates can be added to create projecting or suspended signage
- Optimal panel size 870mm on a 76mm post



### Looking for something different?

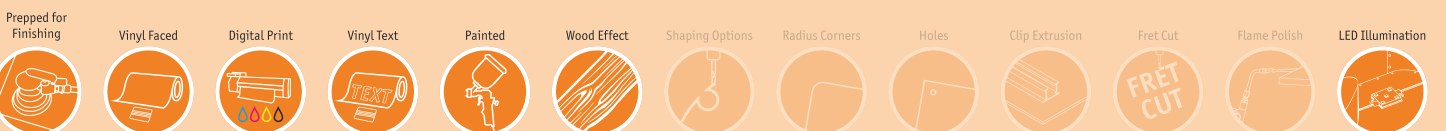
Add welded baseplates to your Hooped sign to create a projecting or suspended variation

# Modular Signage System

Modular is a wayfinding system that comprises of post, wall, projecting and suspended signage using robust 16mm aluminium planks. It is an interchangeable system allowing for updates when required.

## System Overview

	Single Sided	Double Sided	V-Mount	Inline	Corniche
Posts	•	•		•	
Totem					
Freestanding					
Flat Wall	•				
Projecting	•	•			
Suspended	•	•			





# Modular

Modular signage utilises extruded aluminium planks and posts to create a sturdy, multi-level signage ideal for directories or where signage must be consistent throughout the site.

## KEY INFORMATION

- Plank heights; 50, 100, 165 and 300mm
- Available in white and mill finish for same day despatch
- Bespoke plank sizes are available on request
- Powder coated units start from a three day lead time

## Modular Signage Styles



Post Mounted



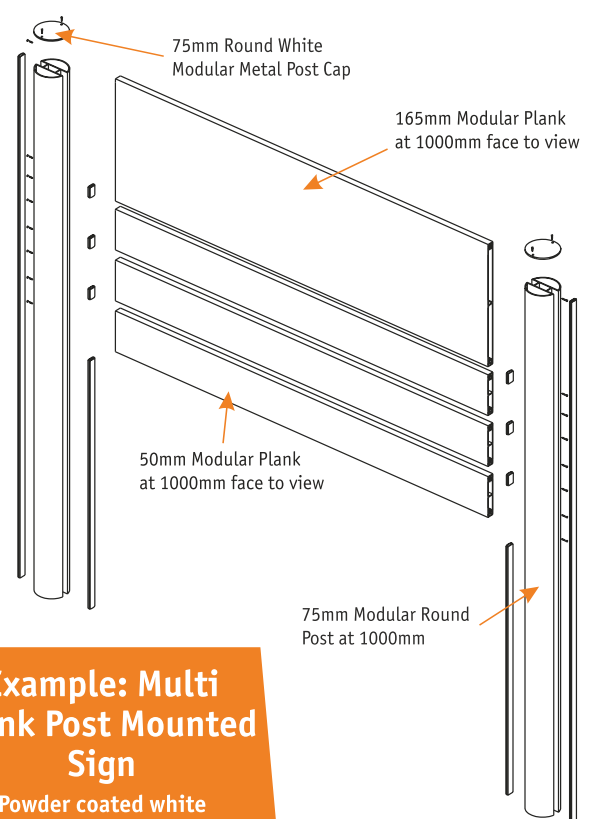
Wall Mounted



Projecting



Suspended



### Example: Multi Plank Post Mounted Sign

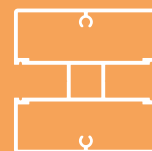
Powder coated white

## Post Shapes Available

Round  
75 or 114mm

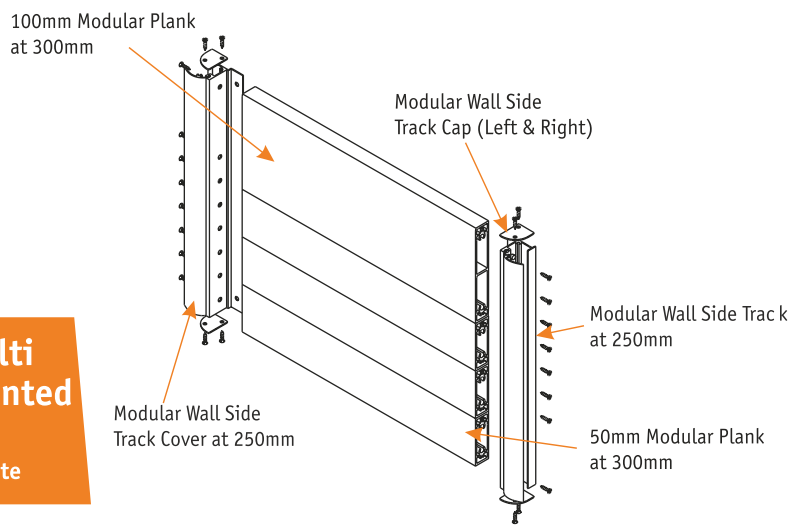


Square  
75 or 100mm



Bullnose  
75 or 100mm





**Example: Multi Plank Wall Mounted Sign**  
Powder coated white



## Painted Modular

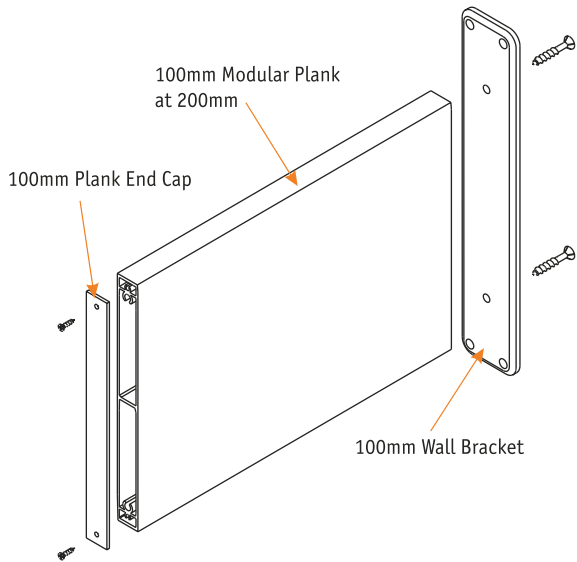
With 179 stock powder coating colours we are sure to have the perfect colour to match your requirements.

AS colours to equivalent RAL Powder colours					
AS01	RAL5012	AS06	RAL9016	AS11	RAL1014
AS02	RAL5005	AS07	RAL3004	AS12	RAL9005
AS03	RAL5002	AS08	RAL3020	AS15	RAL8017
AS04	RAL6029	AS09	RAL2008	AS16	RAL7042
AS05	RAL6005	AS10	RAL1023	AS25	RAL5017

## Need something different?

We can also wet coat to almost any colour... simply give us your RAL, BS or Pantone reference and we'll do the rest.

Gloss, matt, satin or metallic finishes are available across the range - please remember to specify your preference when placing your order or requesting your quote.



**Example: Wall Projecting Sign**

Powder coated white

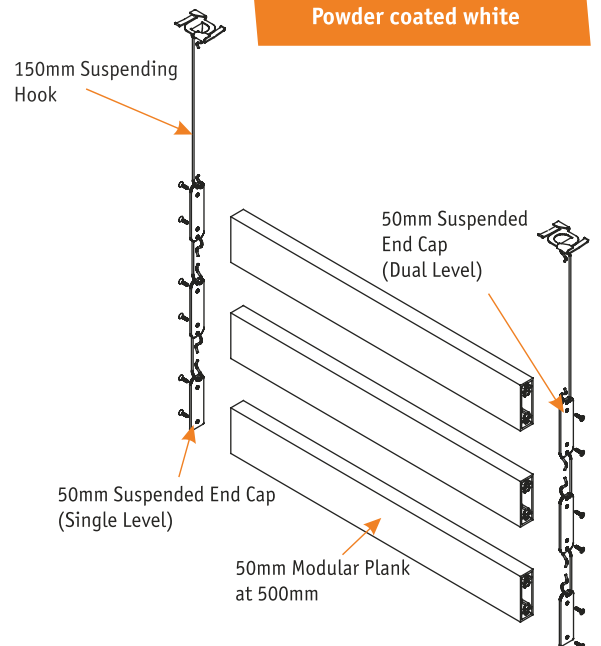


**Plank Heights Available**



**Example: Multi Plank Suspended Sign**

Powder coated white



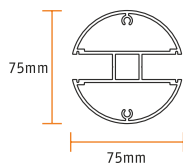


# Modular Posts

## 75mm Round Modular Post

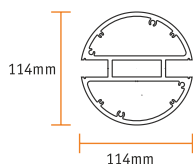
### Product Information

- Wall thickness; 2.0mm
- Gloss finish on powder coated posts as standard



Length	Finish	Mill Finish
6000mm	Mill	White RAL9016
6000mm	White	White RAL9016
0 - 6000mm	Powder Coated	Powder Coated to RAL of BS Colour
0 - 6000mm	Wet Coated	Powder Coated to RAL of BS Colour
Cut to length available		

## 114mm Round Modular Post



### Product Information

- Wall thickness; 4.25mm
- Gloss finish on powder coated posts as standard

Mill Finish	Length	Finish
White RAL9016	4000mm	Mill
	5000mm	Mill
	6000mm	Mill
Powder Coated to RAL of BS Colour	4000mm	White
	5000mm	White
	6000mm	White
	0 - 6000mm	Powder Coated
	0 - 6000mm	Wet Coated
	Cut to length available	

## Round Modular Post Caps

Size	Material	Finish
75mm	Polyethylene	White
75mm	Polyethylene	Black

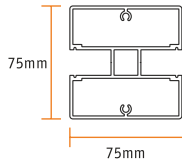


Mill Finish	Size	Material	Finish
White RAL9016	75mm	Aluminium	Mill
	75mm	Aluminium	White
	75mm	Aluminium	Powder Coated
Powder Coated to RAL of BS Colour	114mm	Aluminium	Mill
	114mm	Aluminium	White
	114mm	Aluminium	Powder Coated

## 75mm Square Modular Post

### Product Information

- Wall thickness; 2.0mm
- Gloss finish on powder coated posts as standard



Length	Finish
6000mm	Mill
6000mm	White
0 - 6000mm	Powder Coated
0 - 6000mm	Wet Coated
Cut to length available	

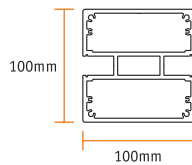
Mill Finish

White RAL9016

Powder Coated to RAL of BS Colour



## 100mm Square Modular Post



### Product Information

- Wall thickness; 3.5mm
- Gloss finish on powder coated posts as standard

Mill Finish

White RAL9016

Powder Coated to RAL of BS Colour

Length	Finish
4000mm	Mill
5000mm	Mill
6000mm	Mill
4000mm	White
5000mm	White
6000mm	White
0 - 6000mm	Powder Coated
0 - 6000mm	Wet Coated
Cut to length available	

## Square Modular Post Caps

Size	Material	Finish
75 x 75mm	Polyethylene	White
75 x 75mm	Polyethylene	Black

White RAL9016

Black RAL9005



Mill Finish

White RAL9016

Powder Coated to RAL of BS Colour

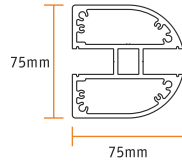
Size	Material	Finish
75 x 75mm	Aluminium	Mill
75 x 75mm	Aluminium	White
75 x 75mm	Aluminium	Powder Coated
100 x 100mm	Aluminium	Mill
100 x 100mm	Aluminium	White
100 x 100mm	Aluminium	Powder Coated



75mm Bullnose Modular Post

Product Information

- Wall thickness; 2.8mm
- Gloss finish on powder coated posts as standard

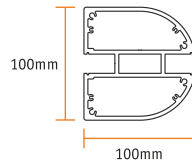


Length	Finish	Mill Finish
6000mm	Mill	White RAL9016
6000mm	White	White RAL9016
0 - 6000mm	Powder Coated	Powder Coated to RAL of BS Colour
0 - 6000mm	Wet Coated	Powder Coated to RAL of BS Colour
Cut to length available		

100mm Bullnose Modular Post

Product Information

- Wall thickness; 3.5mm
- Gloss finish on powder coated posts as standard



Mill Finish	Length	Finish
White RAL9016	4000mm	Mill
	5000mm	Mill
	6000mm	Mill
Powder Coated to RAL of BS Colour	4000mm	White
	5000mm	White
	6000mm	White
	0 - 6000mm	Powder Coated
	0 - 6000mm	Wet Coated

Bullnose Modular Post Caps

Product Information

- Material; Aluminium

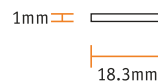


Size	Material	Finish
75mm	Aluminium	Mill
75mm	Aluminium	White
75mm	Aluminium	Powder Coated
100mm	Aluminium	Mill
100mm	Aluminium	White
100mm	Aluminium	Powder Coated

Modular Fillet

Product Information

- For use with all Modular Posts
- Gloss finish on powder coated posts as standard



Length	Finish
3000mm	Mill
3000mm	White
0 - 3000mm	Powder Coated
0 - 3000mm	Wet Coated



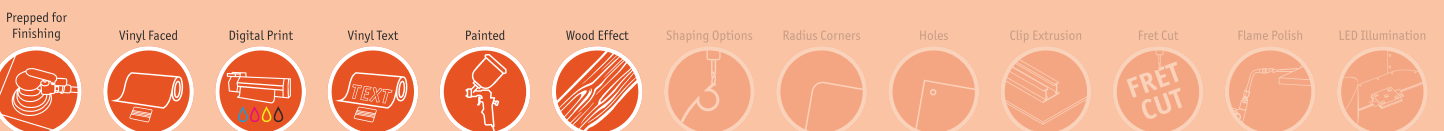
# Architech

## Signage System

Architech is an extruded curved face insert system featuring a CLICLOC mounting mechanism. Providing a visible fix free curved insert, Architech can be used both internally and externally. The Architech range comprises 8 extrusion widths and over 120 different caps, combining to create 6 different methods of mounting and fixing.

### System Overview

	Single Sided	Double Sided	V-Mount	Inline	Corniche
<b>Posts</b>	•	•			
<b>Totem</b>	•	•			
<b>Freestanding</b>		•			
<b>Flat Wall</b>	•				
<b>Projecting</b>		•			
<b>Suspended</b>	•	•			



 Admission Ticket Office

# 1st Floor

101 - Fosters Advertising Agency

102 - Mayer & Brothers Co

103 - New Century Studio

104 - Umbrella Corp

105 - Fontaine Futuristics

# 2nd Floor

201 - CyberDyne Electronics

202 - SkyNet Communications

203 - Spectre Solutions

204 - CMYK Design

205 -

# 3rd Floor

301 - Ashby IT Solutions

302 - Inksplat Printing Services

303 -

# Architech

The Architech system can accommodate a wide variety of thin flexible media substrates including regular printer paper allowing for simple changing of media for the sign supplier or end user.

## KEY INFORMATION

- 8 plank sizes; 50, 100, 150, 215, 300, 420, 500 and 600mm
- Standard finish; Silver anodised (AA25)
- Available from upwards of a same day lead time

## Architech Signage Styles



Post Mounted



Wall Mounted



Projecting



Suspended



Freestanding



### Product Information

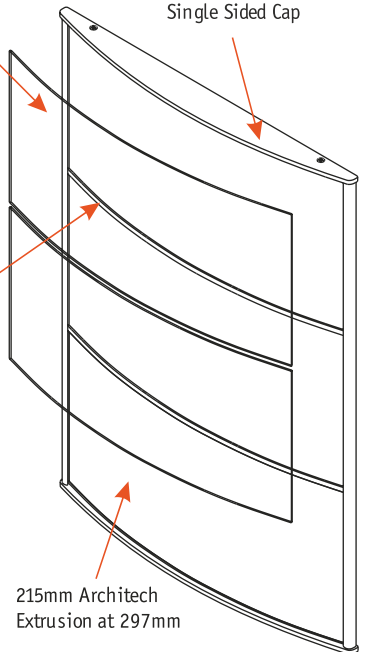
- Plastic or Metal end caps available
- Divider strips can be used to create directory signage
- Supplied complete with Anti-Glare clear covers

Silver Anodised

Anti-Glare Clear Cover

215mm Plastic Single Sided Cap

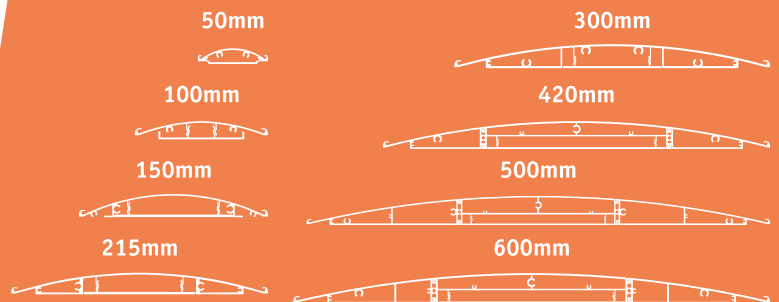
Directory Divider Strip



Example:  
Wall Mounted Sign



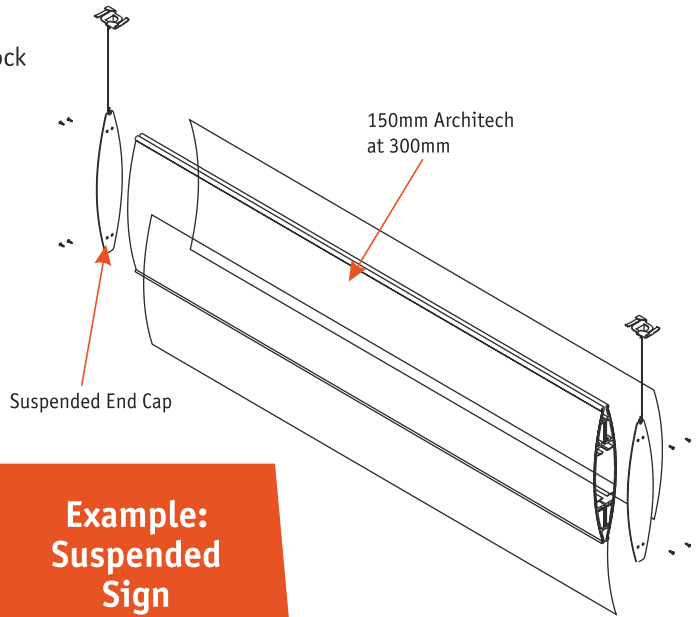
## Compatible Plank Widths Available



## Product Information

- Single or multi-level caps can be used to create directory signage
- Suspended ceiling clips available from stock
- 4 sizes of hanging hooks available

Silver Anodised



## Suspended Signage Accessories

### Key Information

- Stock colours; Silver & white
- Material; Stainless steel

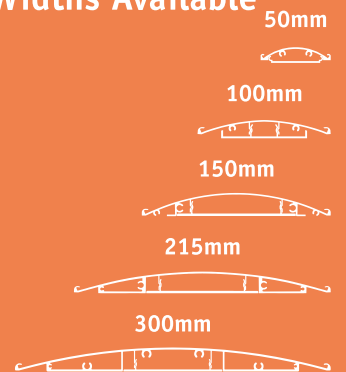
Part	Finish	Material
Hanging Hook	Silver	Stainless Steel
Hanging Hook	Silver	Stainless Steel
Hanging Hook	Silver	Stainless Steel
Hanging Hook	Silver	Stainless Steel
Suspended Ceiling Clip	White	Steel

Stainless Steel

White RAL9016



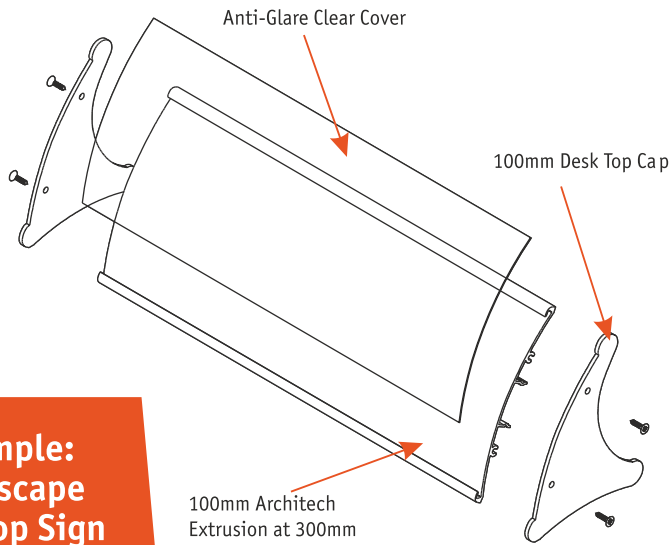
## Compatible Planks Widths Available



### Product Information

- Satin anodised end caps available for landscape and portrait variations.

Silver Anodised



**Example:  
Landscape  
Desktop Sign**

### Compatible Plank Widths Available

50mm



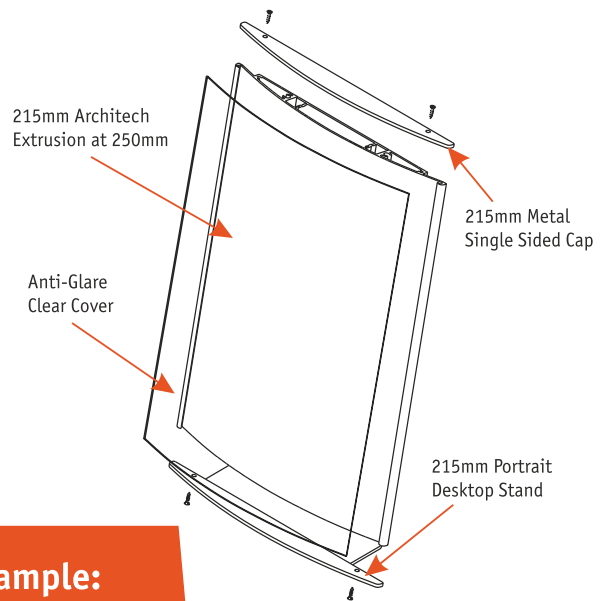
100mm



150mm



215mm



**Example:  
Portrait  
Desktop Sign**

## Need Paper Inserts Printed? We do that too!

We can print your inserts on to paper or alternatively, supply the clear covers with print applied for a more permanent finish.



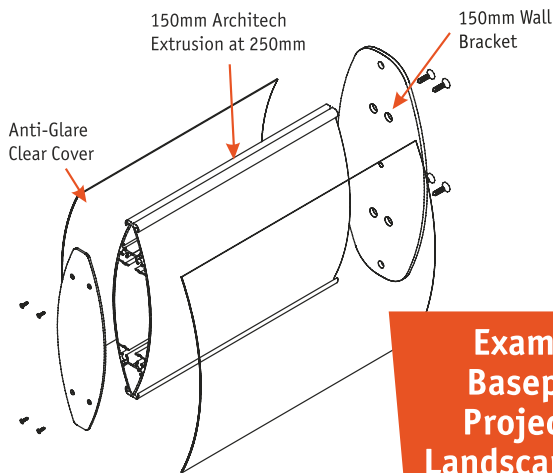
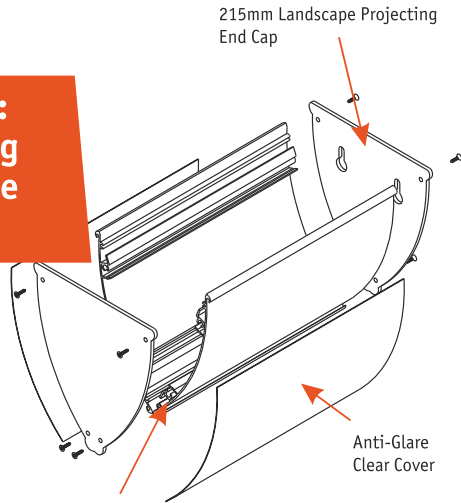


**Product Information**

- Slim profiles at multiple sizes available for portrait (not shown) and landscape projecting Architech
- Totem projecting comes complete with 5mm steel wallplates

Silver Anodised

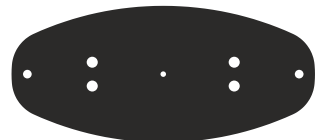
**Example:  
Projecting  
Landscape  
Sign**



**Example:  
Baseplate  
Projecting  
Landscape Sign**

**Projecting Baseplate Options**

Oval	
To suit	Size
100mm	72 x 142mm
150mm	86 x 192mm
215mm	86 x 257mm
300mm	116 x 362mm



**Compatible Plank Widths Available**

100mm



150mm



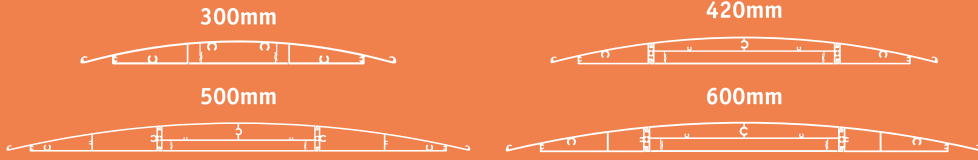
215mm



300mm



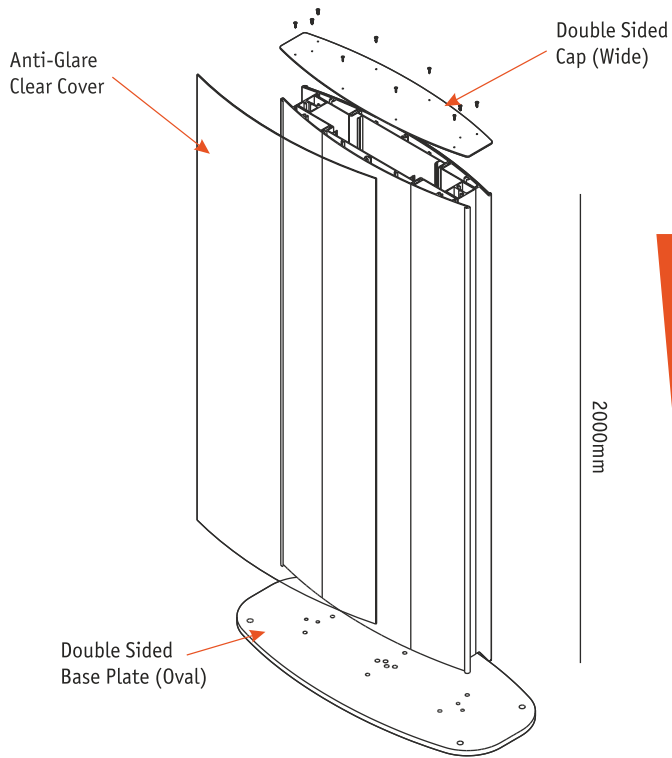
## Compatible Plank Widths Available



### Product Information

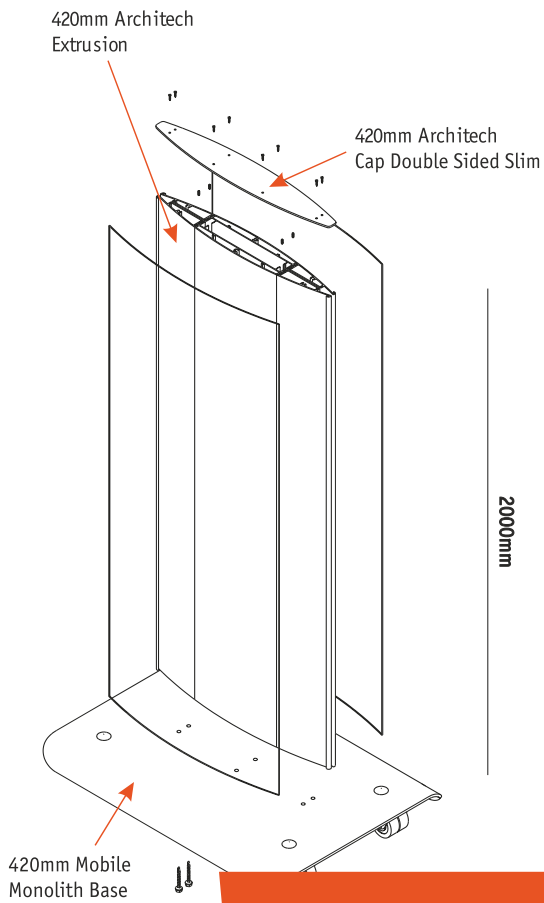
- Wide profile for structural Integrity and to be free-standing
- 5mm Steel Baseplates available

Silver Anodised



**Double Sided Monolith (Wide)**





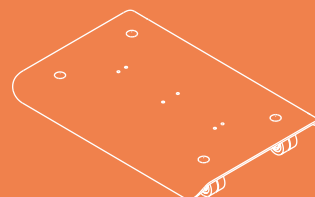
**Example:  
Mobile Totem**

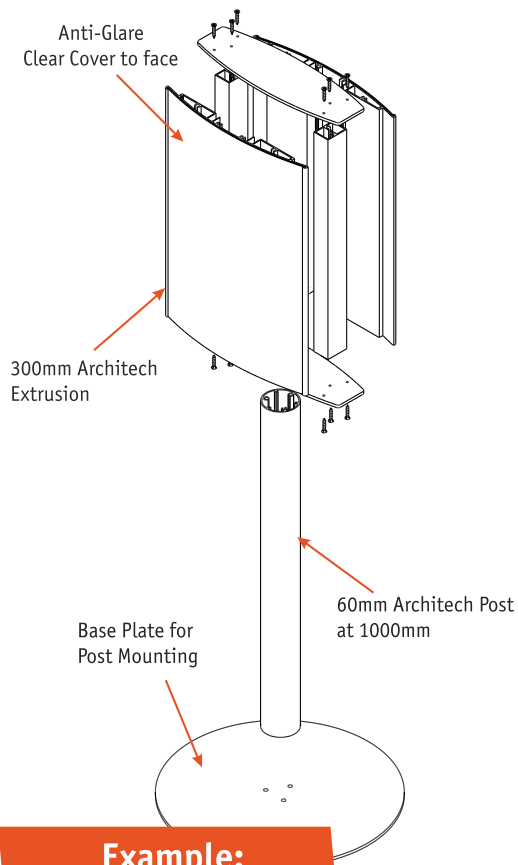
## Totem Baseplate Options

Double Sided		
To suit	Style	Size
300mm	Wide	400 x 195mm
420mm	Wide	565 x 255mm
500mm	Wide	660 x 300mm
600mm	Wide	800 x 325mm



Mobile	
To suit	Size
420mm	565 x 405mm
500mm	700 x 405mm
600mm	770 x 405mm





**Product Information**

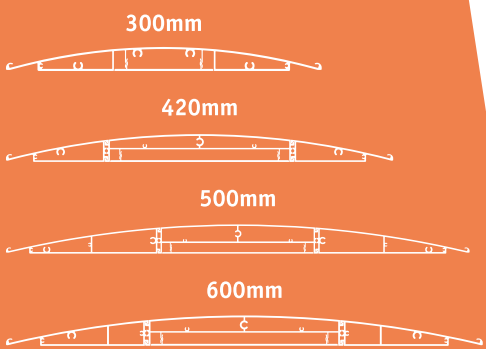
- 5mm steel baseplates for free-standing post mounted Architech available in a circular shape
- Post Mounted Totems are only available in the wide profile

Silver Anodised

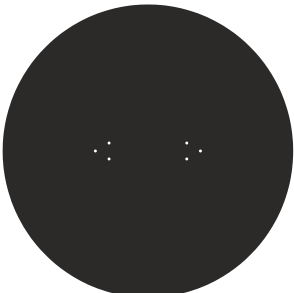


**Example:  
Post Mounted Totem  
(Freestanding)**

**Compatible Plank Widths Available**



**Post Mounted Baseplate Options**



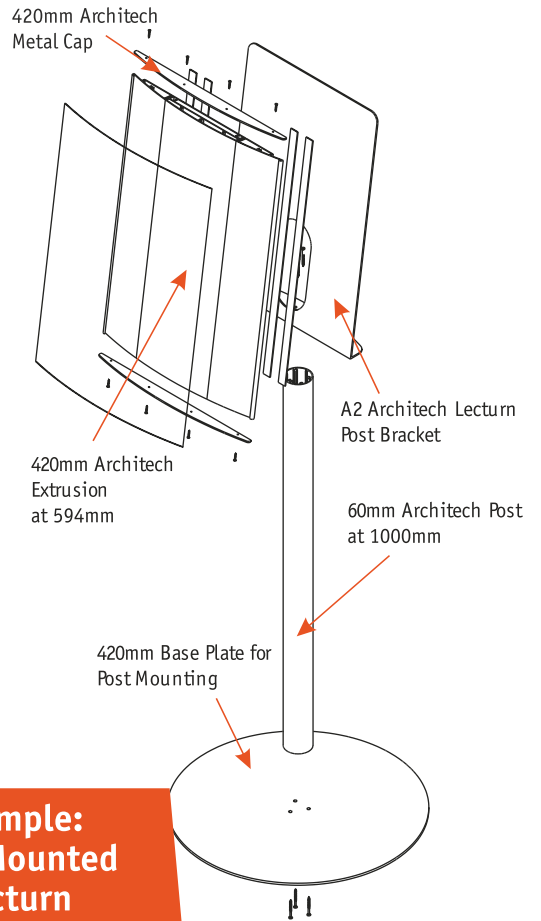
Circular Post Mounted Baseplate	
To suit	Size
300mm	370mm dia.
420mm	525mm dia.
500mm	615mm dia.
600mm	700mm dia.



Product Information

- 5mm steel baseplates for free-standing post mounted Architech available in a circular shape
- Lectern single sided design
- Fixing brackets available to suit A4, A3, A2 & A1 size Architech signage

Silver Anodised



Example: Post Mounted Lectern (Freestanding)

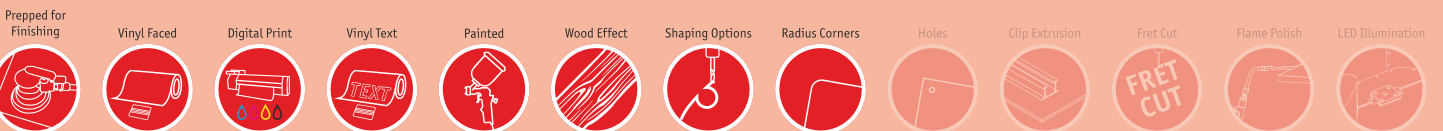


# Fingerpost Signage Systems

Available in a choice of two finger thicknesses, 16mm or 2.5mm. The simple sleeve and grub screw fixing method allows easy installation and the ability to rotate fingers to their desired direction after setting the post.

## System Overview

	Single Sided	Double Sided	V-Mount	Inline	Corniche
Posts	•	•			
Totem					
Freestanding					
Flat Wall					
Projecting					
Suspended					





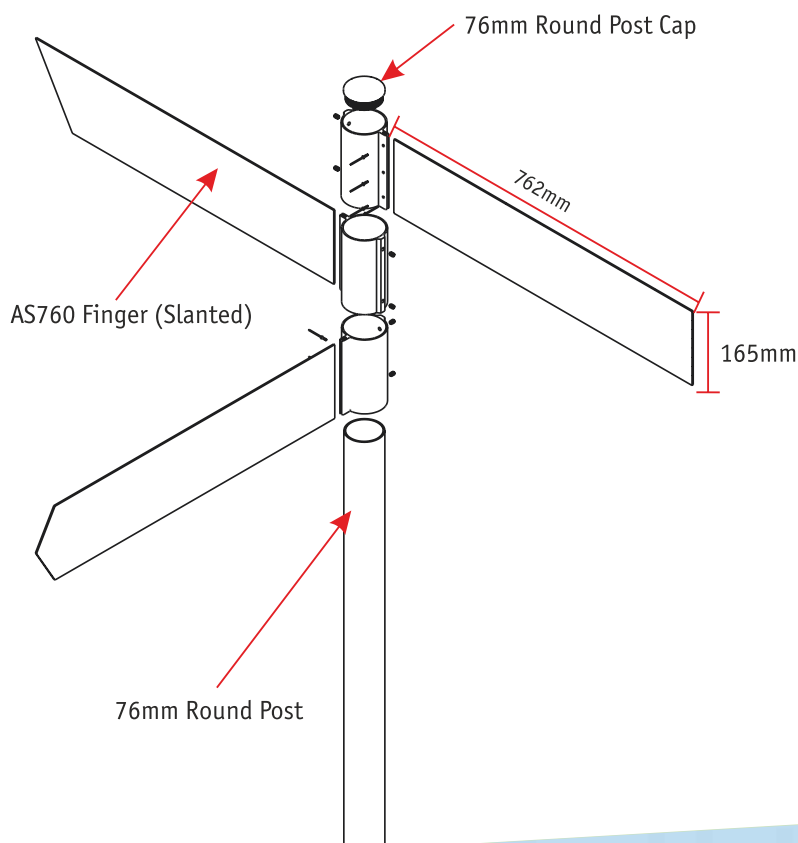
# Single Level Fingers

AS760 Fingers utilise a solid riveted 2.5mm aluminium panel. The advantage of panels over planks is that they can be shaped and there is a high degree of flexibility in panel sizes.

## KEY INFORMATION

- Standard finger dimensions; 762 x 165mm leaving a 750 x 165mm face to view
- Grub screw friction fit (supplied) with system
- Single finger per level

### AS760 Double Sided Finger



	Shape	Finish
Mill Finish	Chevron	Mill
	Chevron	Powder Coated
Powder Coated to RAL of BS Colour	Flat End	Mill
	Flat End	Powder Coated
	Rounded	Mill
	Rounded	Powder Coated
	Slanted	Mill
	Slanted	Powder Coated





# Multi-Level Fingers

AS980 Fingers are an upgrade from the lighter AS760 because of its heavier duty 16mm thick projecting arms. Its components are milled to enable a single, double and triple directional single level finger arm assembly.

### KEY INFORMATION

- Standard Finger dimensions; 800 x 165mm  
770x 165mm face to view
- Manufactured from 16mm thick Modular extrusion
- Suited for use with 76mm post section only
- Single, double, triple fingers per level
- Four standard finger shapes; chevron, flat end, rounded, slanted

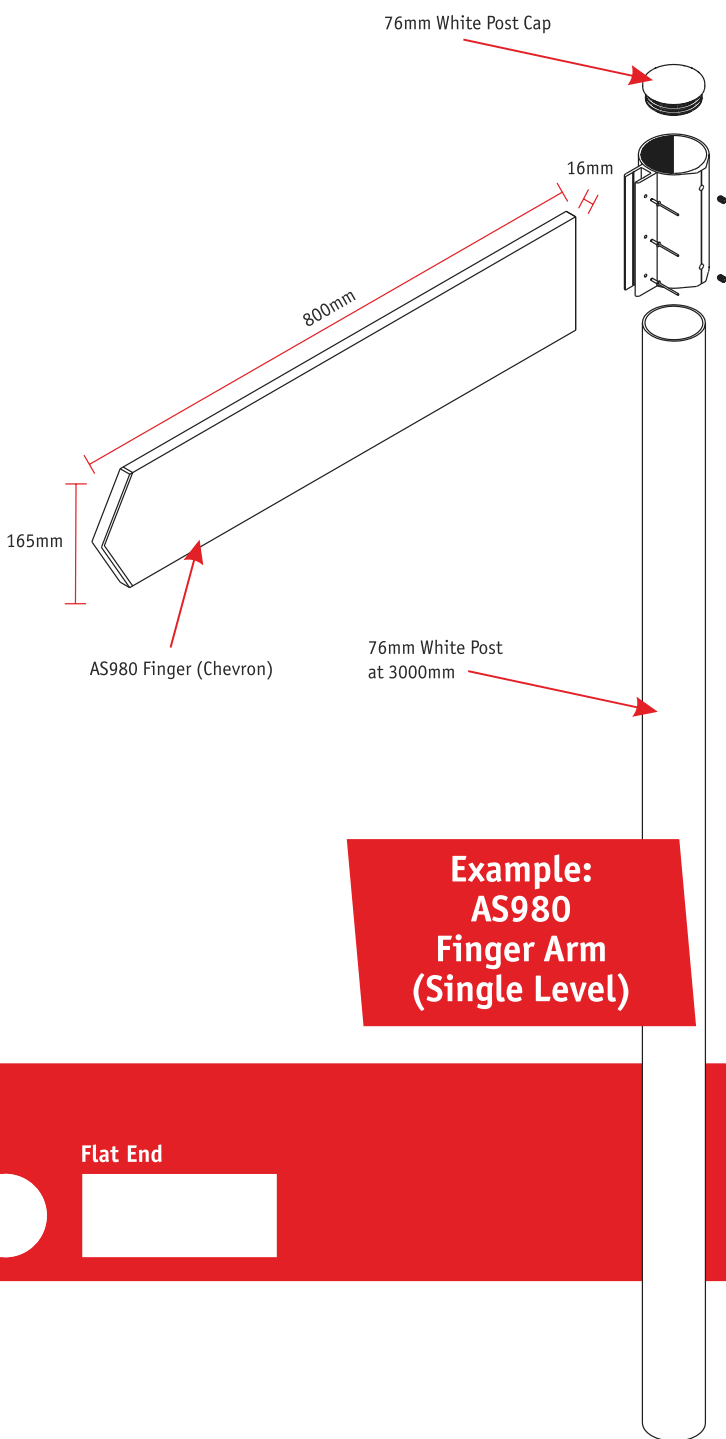
## AS980 Single Level

N° of Levels	Shape	Finish
Single	Chevron	Mill
Single	Chevron	White
Single	Chevron	Powder Coated
Single	Flat End	Mill
Single	Flat End	White
Single	Flat End	Powder Coated
Single	Rounded	Mill
Single	Rounded	White
Single	Rounded	Powder Coated
Single	Slanted	Mill
Single	Slanted	White
Single	Slanted	Powder Coated

Mill Finish

White RAL9016

Powder Coated to RAL of BS Colour



**Example:  
AS980  
Finger Arm  
(Single Level)**

### Standard Finger Shapes

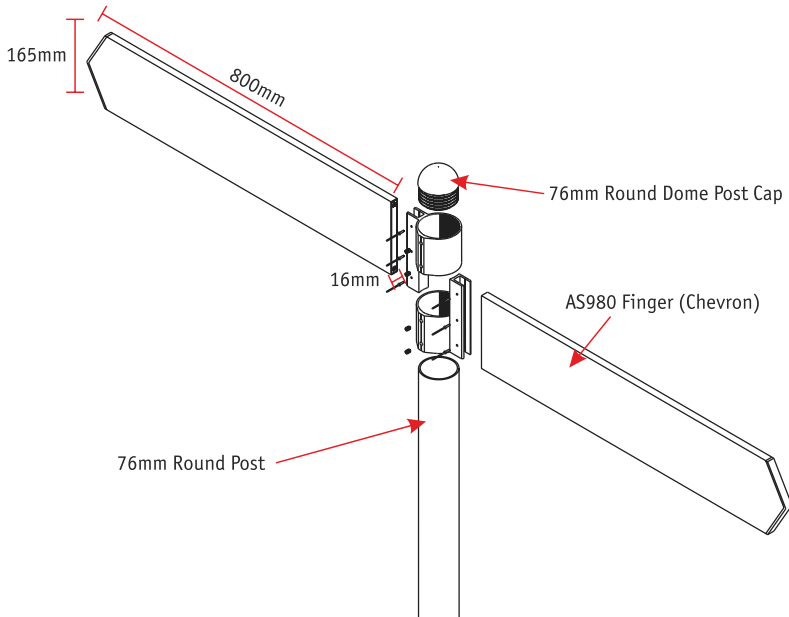
Chevron

Slanted

Round

Flat End

## AS980 Double Level



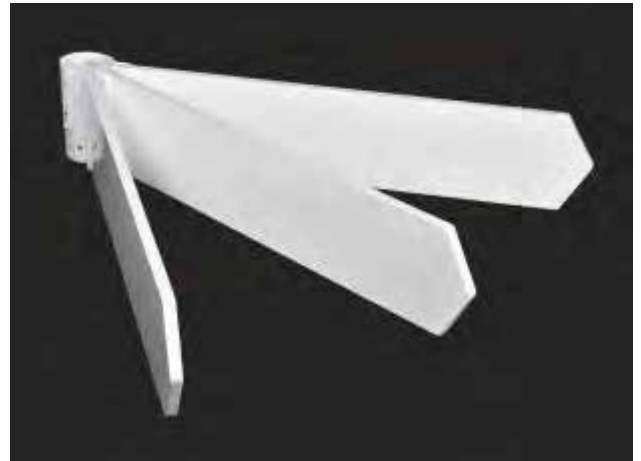
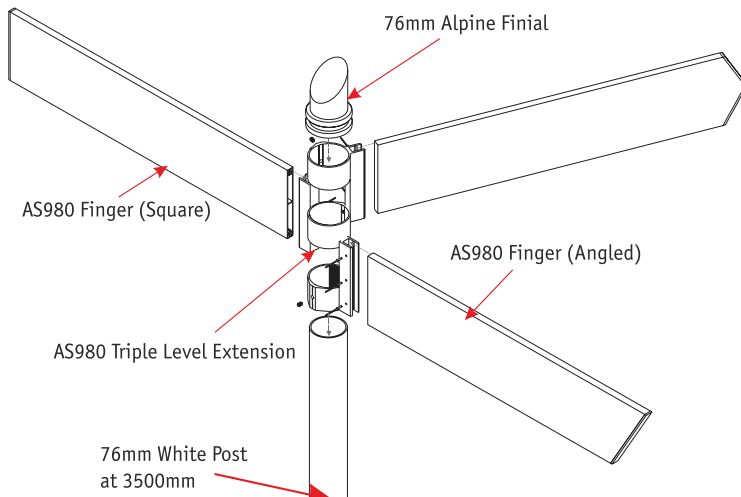
Mill Finish	N° of Levels	Shape	Finish
White RAL9016	Double	Chevron	Mill
	Double	Chevron	White
	Double	Chevron	Powder Coated
Powder Coated to RAL of BS Colour	Double	Flat End	Mill
	Double	Flat End	White
	Double	Flat End	Powder Coated
	Double	Rounded	Mill
	Double	Rounded	White
	Double	Rounded	Powder Coated
	Double	Slanted	Mill
	Double	Slanted	White
	Double	Slanted	Powder Coated



Road regulations specify minimum mounting height of 2100mm over pedestrian footpaths and 2300mm over cycle lanes.



AS980 Triple Level



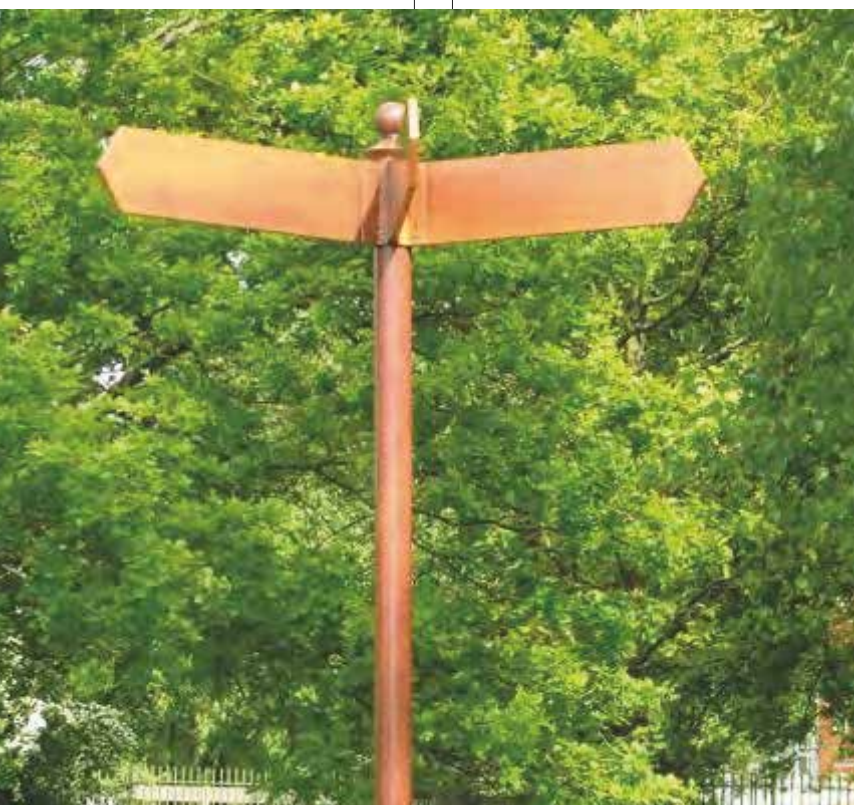
**Example:  
AS980  
Finger Arm  
(Triple Level)**

Mill  
Finish

White  
RAL9016

Powder Coated  
to RAL of BS  
Colour

N° of Levels	Shape	Finish
Triple	Chevron	Mill
Triple	Chevron	White
Triple	Chevron	Powder Coated
Triple	Flat End	Mill
Triple	Flat End	White
Triple	Flat End	Powder Coated
Triple	Rounded	Mill
Triple	Rounded	White
Triple	Rounded	Powder Coated
Triple	Slanted	Mill
Triple	Slanted	White
Triple	Slanted	Powder Coated



# Road Traffic

Road Traffic Signage complies with current UK regulations (BS EN 12899-1:2007 and BS 8442) and is available on next-day despatch for standard round, square and triangular signs. In addition to the highway grade RA2 sign faces and vinyls, we stock RA1 engineering grade which is designed for private land and places where traffic regulations do not apply.

## System Overview

	Single Sided	Double Sided	V-Mount	Inline	Corniche
Posts	•	•			
Totem					
Freestanding	•				
Flat Wall	•				
Projecting		•			
Suspended		•			

Prepped for Finishing



Vinyl Faced



Digital Print



Vinyl Text



Painted



Wood Effect



Shaping Options



Radius Corners



Holes



Clip Extrusion



Fret Cut



Flame Polish



LED Illumination





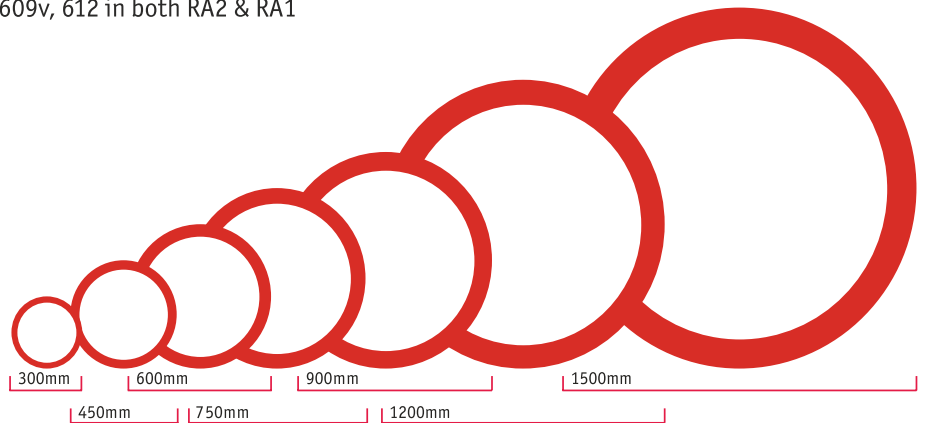
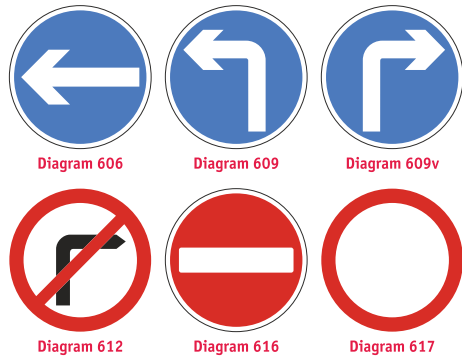
# Stock Traffic Signage

Our stock regulatory and warning signs are manufactured using class RA 2 high intensity vinyl or class RA 1 engineering grade vinyl that is pressure applied onto 2.5mm aluminium panel, powder coated grey on the reverse for added durability and long life. Supplied with clip extrusion on the reverse for post mounting, or without for wall mounting.

## Stock Traffic Signage

### Circular Sign Panels:

- Sizes; 300, 450, 600, 750, 900, 1200 and 1500mm
- Stock sign faces - diagrams; 617, 616, 606, 609/609v, 612 in both RA2 & RA1



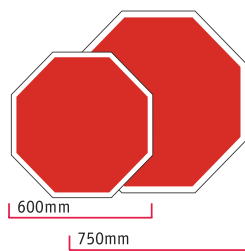
### Triangular Sign Panels:

- Sizes; 300, 450, 600, 750, 900, 1200 and 1500mm
- Stock sign faces - diagrams; 501 in both RA2 & RA1



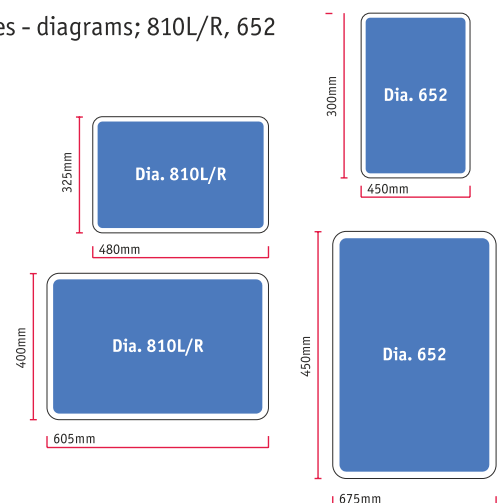
### Octagonal Sign Panels:

- Sizes; 600 and 750mm
- Stock sign faces - diagrams; 601.1 in both RA2 & RA1



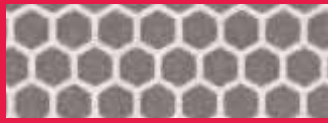
### Rectangular Sign Panels:

- Sizes; dia 810L/R ; 600 x 400mm & 480 x 320mm
- dia 652; 300 x 450mm & 450 x 675mm
- Stock sign faces - diagrams; 810L/R, 652



**Class RA2 High Intensity Vinyl**

(The old BS 873 Class 1) The standard material for the majority of road traffic signs.



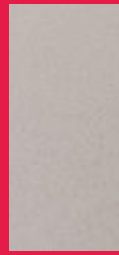
**ECOF Overlay**

Translucent vinyl to apply over RA2 reflective vinyl to create different coloured graphics.



**Class RA1 Engineering Grade Vinyl**

(The old BS 873 Class 2) For use on permanent road traffic signs and other everyday signing that is less critical for road users.



**Road Traffic Standard Diagrams**

**Key Information**

- Diagrams; 617, 616, 606, 609/609v, 612 in both RA2 & RA1 are available same day
- Other road traffic signs such as chevron signs can be drawn up based on your supplied sizes

Class 1 Reflective			
Shape	Size	With Clip Extrusion	Without Clip Extrusion
Triangle	300mm	•	•
Triangle	450mm	•	•
Triangle	600mm	•	•
Triangle	750mm	•	•
Triangle	900mm	•	•
Triangle	1200mm	•	•
Triangle	1500mm	•	•

Class 2 Reflective			
Shape	Size	With Clip Extrusion	Without Clip Extrusion
Triangle	300mm	•	•
Triangle	450mm	•	•
Triangle	600mm	•	•
Triangle	750mm	•	•
Triangle	900mm	•	•
Triangle	1200mm	•	•
Triangle	1500mm	•	•





Diagram 544.1



Diagram 544.2



Diagram 545



Diagram 548



Diagram 549



Diagram 550



Diagram 550.1



Diagram 550.2



Diagram 551



Diagram 551.1



Diagram 551.2

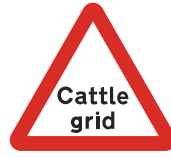


Diagram 552



Diagram 553.1



Diagram 554



Diagram 554.1



Diagram 554.2



Diagram 555



Diagram 555.1



Diagram 556



Diagram 556.1



Diagram 557



Diagram 557.1



Diagram 558



Diagram 558.1



Diagram 558.3



Diagram 559



Diagram 562



Diagram 581



Diagram 582



Diagram 583



Diagram 584



Diagram 602



Diagram 770



Diagram 771



Diagram 772



Diagram 779



Diagram 782



Diagram 950



Diagram 7001



Diagram 7009

Class 1 Reflective			
Shape	Size	With Clip Extrusion	Without Clip Extrusion
Circle	300mm	•	•
Circle	450mm	•	•
Circle	600mm	•	•
Circle	750mm	•	•
Circle	900mm	•	•
Circle	1200mm	•	•
Circle	1500mm	•	•

Class 2 Reflective			
Shape	Size	With Clip Extrusion	Without Clip Extrusion
Circle	300mm	•	•
Circle	450mm	•	•
Circle	600mm	•	•
Circle	750mm	•	•
Circle	900mm	•	•
Circle	1200mm	•	•
Circle	1500mm	•	•



Diagram 606



Diagram 609



Diagram 610

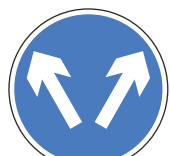


Diagram 611



Diagram 611.1



Diagram 612



Diagram 613





# Standard Diagrams



Diagram 614



Diagram 615



Diagram 616

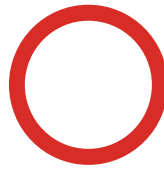


Diagram 617



Diagram 617.1



Diagram 619



Diagram 619.1



Diagram 619.2



Diagram 622.1a



Diagram 622.2



Diagram 622.4



Diagram 622.5



Diagram 622.6



Diagram 622.7



Diagram 622.8



Diagram 625.1



Diagram 629



Diagram 629.1

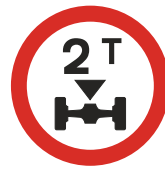


Diagram 629.1a



Diagram 629.2



Diagram 629.2a



Diagram 632



Diagram 633



Diagram 636



Diagram 642



Diagram 670



Diagram 670a

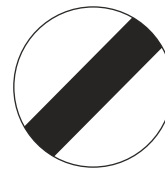


Diagram 671



Diagram 951



Diagram 952



Diagram 955



Diagram 956



Diagram 957

Class 1 Reflective			
Shape	Size	With Clip Extrusion	Without Clip Extrusion
Octagon	600mm	•	•
Octagon	750mm	•	•

Class 2 Reflective			
Shape	Size	With Clip Extrusion	Without Clip Extrusion
Octagon	600mm	•	•
Octagon	750mm	•	•



Diagram 601.1

## Road Traffic Frames



Black  
RAL9005

Size	Shape
600 x 600mm	Square
600mm Triangle	Triangle
750mm Triangle	Triangle
600 x 450mm	Rectangle
1050 x 750mm	Rectangle
28 x 15 x 24mm	Clip

### Key Information

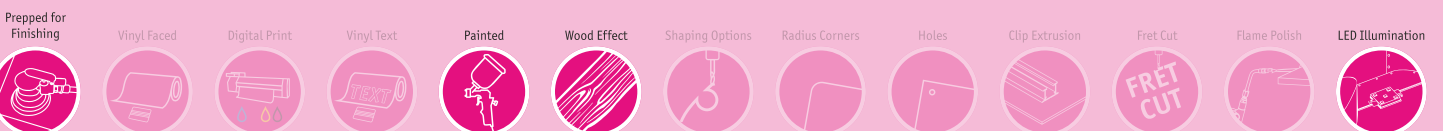
- Material; Steel
- Available for same day despatch
- Traffic frames do not come supplied with clips (sold separately)

# Stryder Troughlight

Our illuminated LED Stryder troughlight features an IP65 rating, 1200 lumen per metre output and is available in lengths of up to 6 metres in a single piece, for signage over 6 meters, multiple units can be installed in-line. In addition to its industry leading range of nine bracket styles for mounting to almost any surface, Stryder is available powder coated or from stock in black, white or silver anodised.

## System Overview

	Single Sided	Double Sided	V-Mount	Inline	Corniche
Posts	•	•	•	•	
Totem	•	•	•	•	
Freestanding					
Flat Wall	•			•	
Projecting		•			
Suspended	•	•			





# Stryder Troughlight

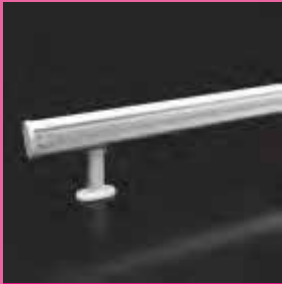
Stryder's range of brackets enable fixing to any standard signage configuration, including trays, walls, clip extrusion or as an up-lighter. Stryder features a curved ribbed lens for even light distribution.



## KEY INFORMATION

- Illuminates at 1200 lumens and panels up to 2440mm deep
- Available from stock in colours; white (RAL 9016), black (RAL 9005) or silver anodised (AA25)
- 6 metres is the maximum length in one piece
- 60mm diameter extrusions
- IP65 rated

## Stryder Troughlight Styles



Wall Mounted



Clip Extrusion Mounted



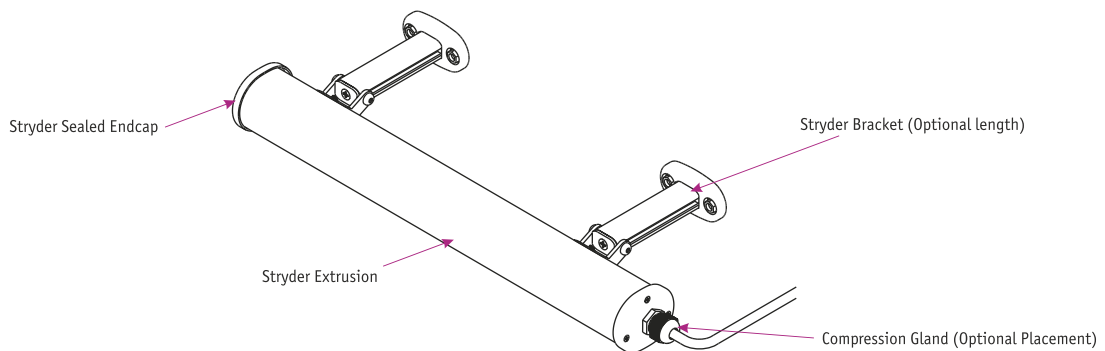
Panel Mounted



Tray Mounted

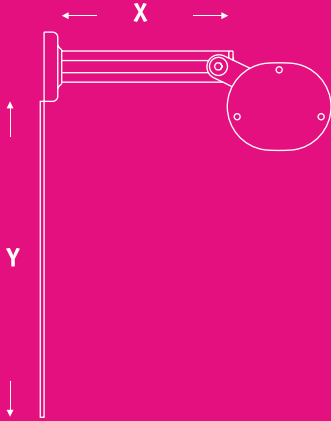


Double Sided



## How long should my brackets be?

The length of your troughlight brackets are determined by the depth of the panel you need to illuminate, if you are illuminating a tray, add the return depth to the bracket length. The measurements are based on the troughlight being mounted 100mm above the panel.

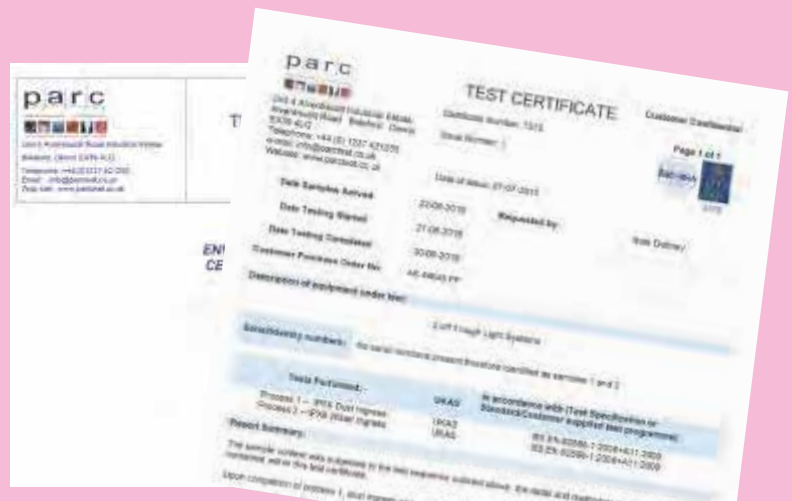


Depth of Panel (Y)	Length of Arm (X)
400mm	90mm
600mm	115mm
800mm	138mm
1000mm	160mm
1200mm	185mm
1400mm	210mm
1600mm	235mm
1800mm	260mm
2000mm	280mm



## IP Rating

Stryder has been awarded an IP rating of IP66 meaning it is dust and water resistant.

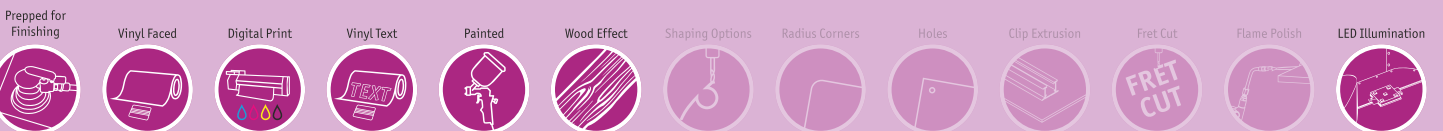


# Lightboxes

The range consists of five different profiles stocked in white and silver anodised; a choice of 3mm or 5mm acrylics and LED modules or ribbon. Lightbox is available as either a single or double sided system and in component form for fabrication by the sign maker or fully assembled and illuminated ready for install.

## System Overview

	Single Sided	Double Sided	V-Mount	Inline	Corniche
Posts	•	•	•	•	
Totem					
Freestanding					
Flat Wall	•				
Projecting	•	•			
Suspended	•	•			





# Lightboxes

Available in single and double sided profiles for post, wall, projecting and suspended mounting variations.

## KEY INFORMATION

- LED illumination available on request
- 3 or 5mm acrylic available depending on Lightbox size
- Powder & wet coated colours start from three day despatch

## Lightbox Styles



Wall or Post Mounted



Projecting



Suspended



Need Translucent Graphics Printed?  
We do that too

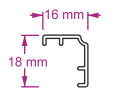
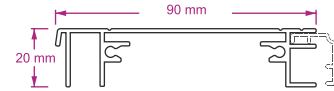




Slimline Lightbox

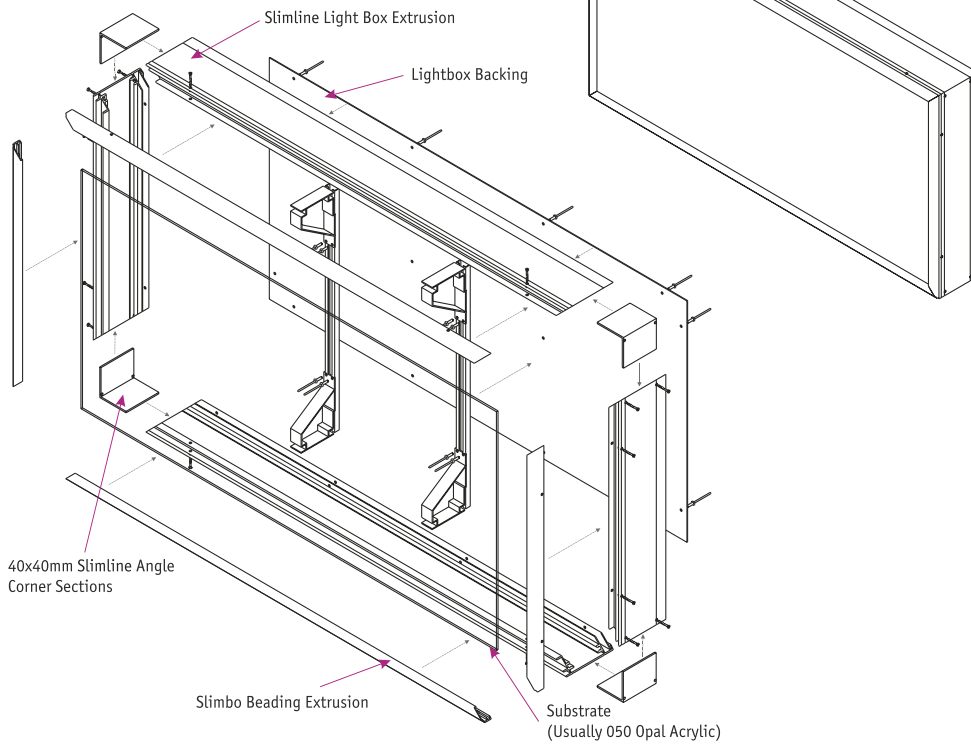
Product Information

- Single sided design for wall or post mounting
- 100mm overall depth (including outer beading)
- LED illumination available on request



Example Lightbox

1000 x 500mm - silver anodised - no LED - 3mm Acrylic



## Rollerbead Single Sided

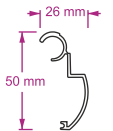
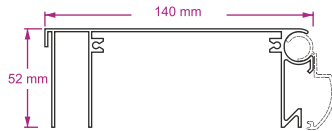
### Product Information

- Single sided design for wall or post mounting
- 150mm overall depth (including outer beading)
- LED Illumination available on request

Silver Anodised

White RAL9016

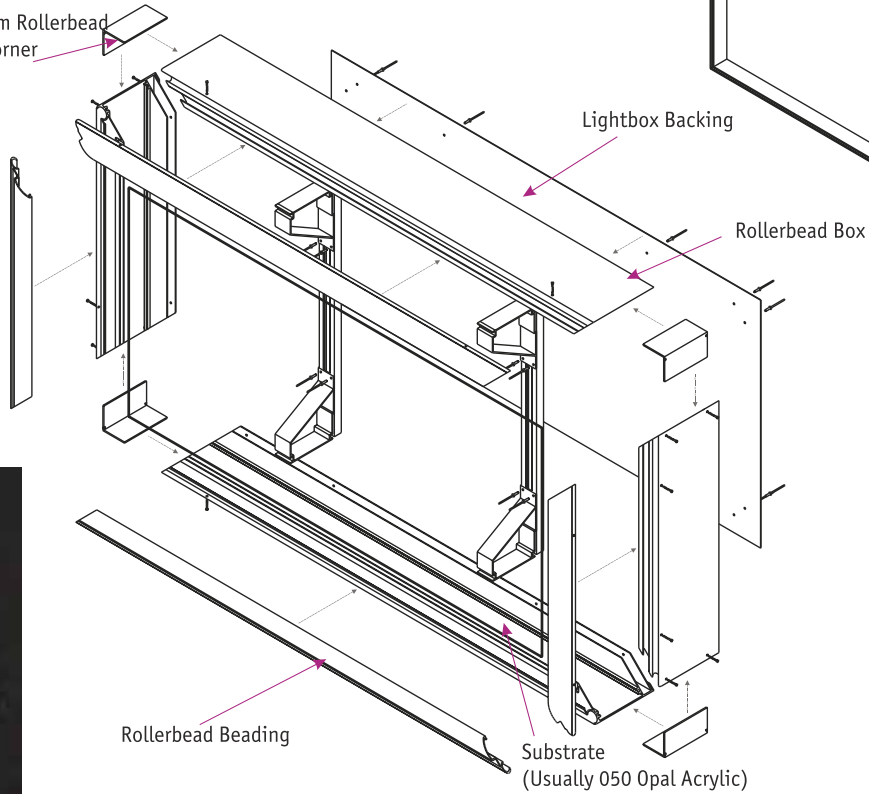
Powder Coated to RAL of BS Colour



### Example Lightbox

1000 x 500mm - silver anodised - no LED - 3mm Acrylic

40x40mm Rollerbead Angle Corner Sections



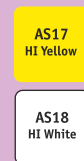
### Non-Reflective Vinyl



### Reflective Vinyl

All of our standard reflective vinyls are in compliance with BS EN 12899-1:2007 and BS 8442.

#### Class 1 (RA2)



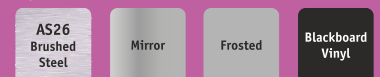
#### Class 2 (RA1)



### ECOF Overlay



### Specialist



# Painted Lightboxes

With 179 stock powder coating colours we are sure to have the perfect colour to match your requirements.

AS colours to equivalent RAL Powder colours					
AS01	RAL5012	AS06	RAL9016	AS11	RAL1014
AS02	RAL5005	AS07	RAL3004	AS12	RAL9005
AS03	RAL5002	AS08	RAL3020	AS15	RAL8017
AS04	RAL6029	AS09	RAL2008	AS16	RAL7042
AS05	RAL6005	AS10	RAL1023	AS25	RAL5017

We can also wet coat to almost any colour... simply give us your RAL, BS or Pantone reference and we'll do the rest.

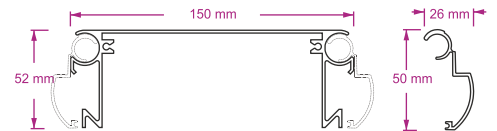
Gloss, matt, satin or metallic finishes are available across the range - please remember to specify your preference when placing your order or requesting your quote.



## Rollerbead Double Sided

### Product Information

- Double sided design for suspended or projecting signage
- 172mm overall depth (including outer beading)
- LED illumination available on request



### Example Lightbox

1000 x 500mm - silver anodised - no LED - 3mm Acrylic - projecting bracket

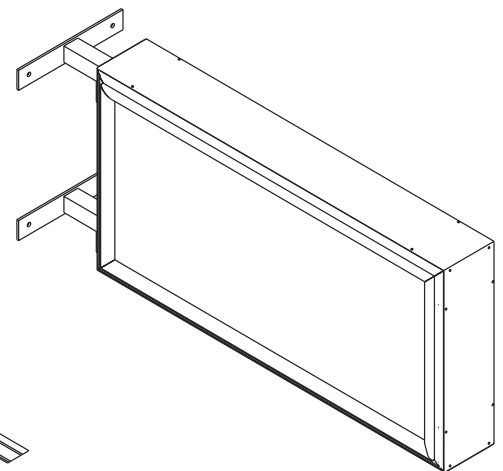
40x40mm Rollerbead Angle Corner Sections

Rollerbead Beading

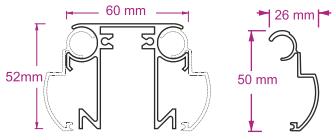
Rollerbead Box

Substrate (Usually 050 Opal Acrylic)

Light Box Bracket

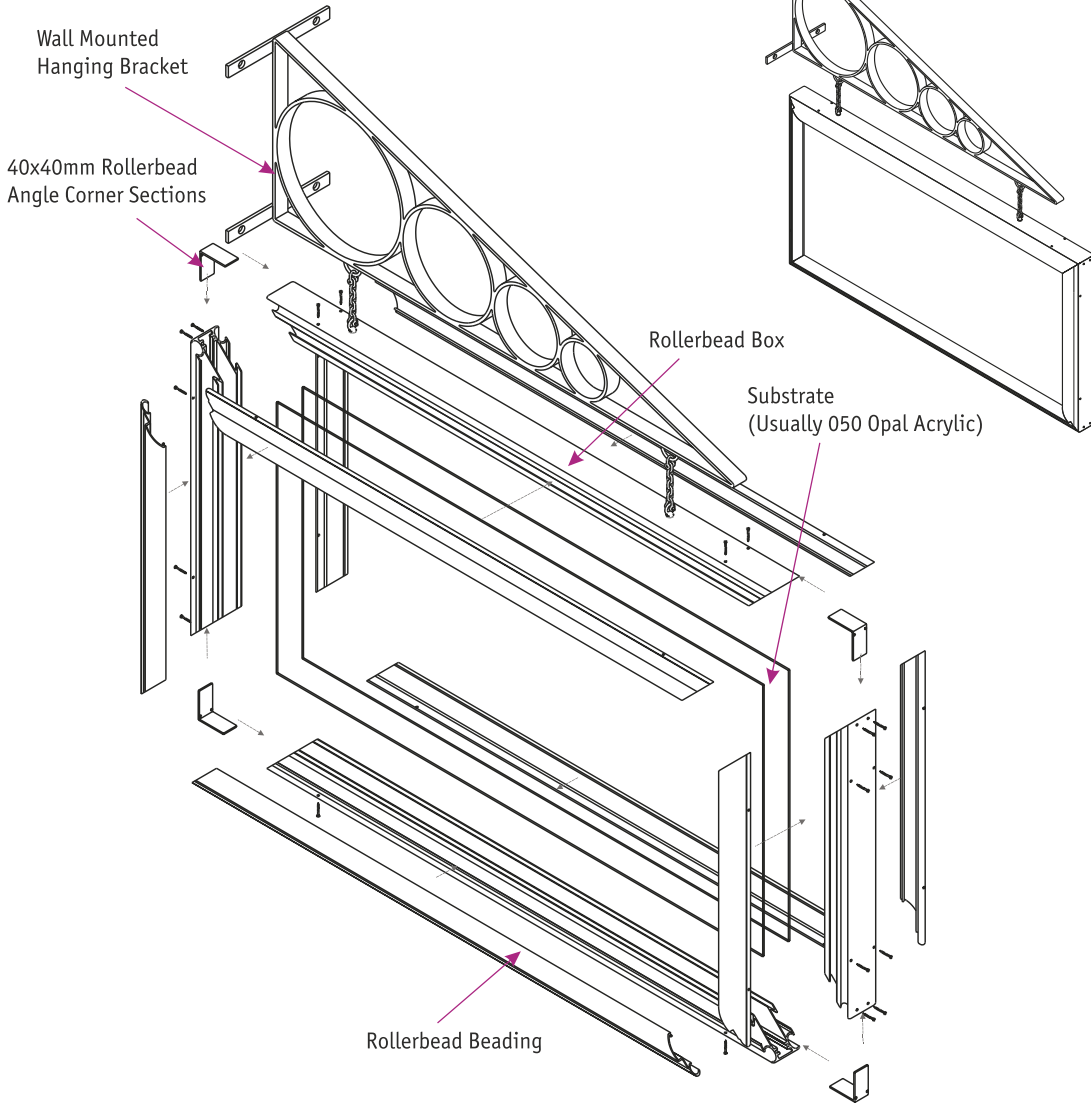


## Rollerbead Double Sided Slim



### Product Information

- Double sided design for suspended or projecting signage
- 82mm overall depth (including outer beading)
- LED illumination available on request



### Example Lightbox

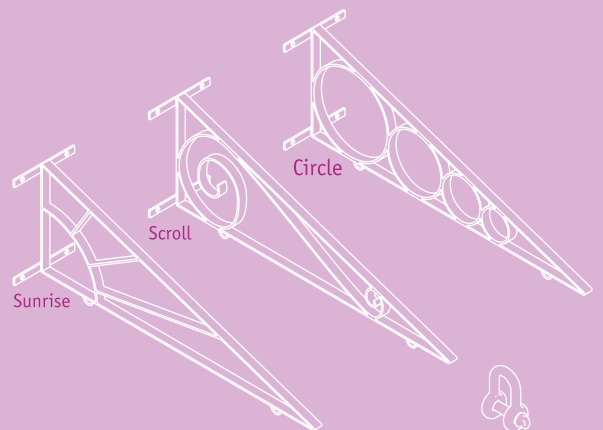
1000 x 500mm - silver anodised - no LED - 3mm Acrylic - Hanging Bracket - 2 x M8 Eyebolts & Shackles



## Suspended Lightbox?

You need a Hanging Bracket then! We have 3 designs as well as the shackles required to mount your Lightbox with.

Product	Finish	Material	Bolt Size	Size
M8 Shackle	Silver	Steel	M8	45 x 48mm
Sunrise Hanging Bracket	Black	Steel	---	310 x 900 x 200mm
Circle Hanging Bracket	Black	Steel	---	310 x 900 x 200mm
Scroll Hanging Bracket	Black	Steel	---	310 x 900 x 200mm

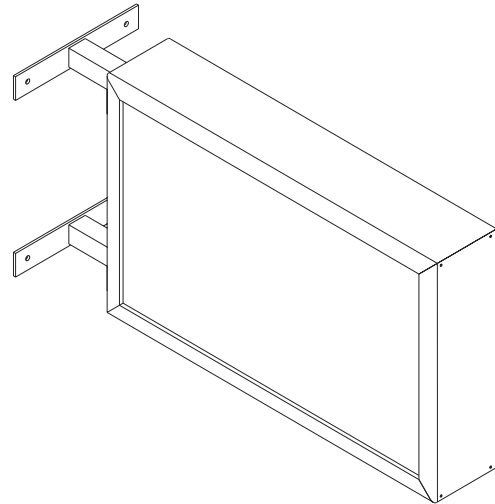
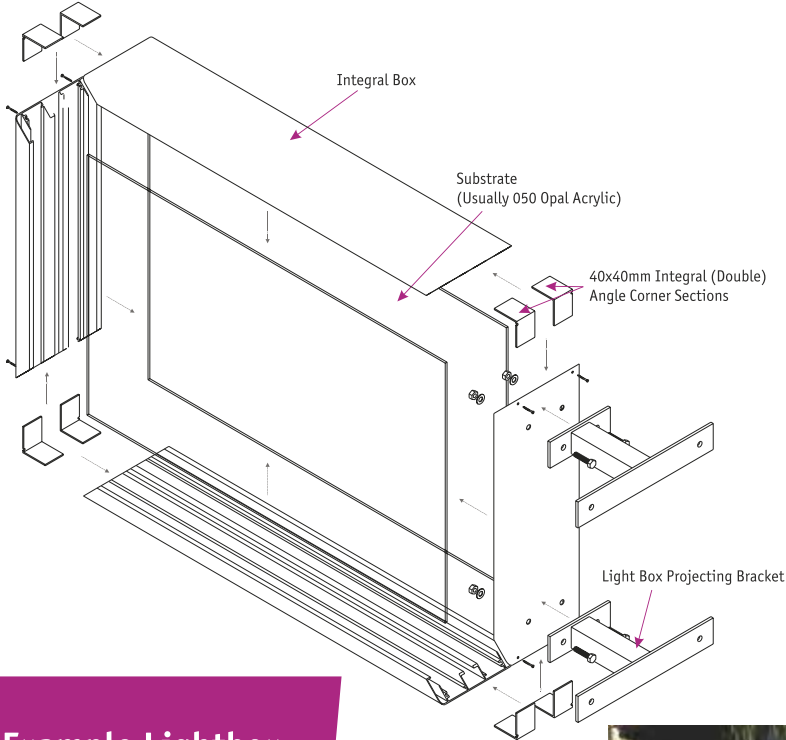
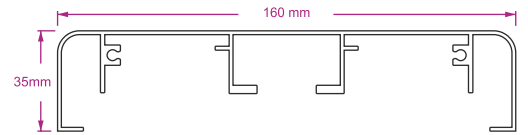


M8 Shackle

Integral Lightbox

Product Information

- Double sided design for suspended or projecting signage
- 160mm overall depth
- LED illumination available on request



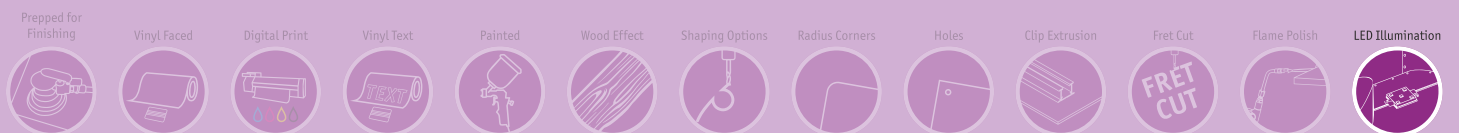
Example Lightbox

1000 x 500mm - silver anodised - no LED - 3mm Acrylic - projecting bracket



# LED Illumination

We stock IP rated LED modules and ribbon in different sizes and power dependent on the application, as well as power supplies to suit. LED can either be supplied as a stand alone item or as part of your chosen signage system.





# LED Illumination

Our LED range, both modules and ribbon, are IP rated to ensure product durability.

## KEY INFORMATION

- LED ribbon available in either 12v or 24v
- IP rated power supplies
- Signage can be fitted with LED or supplied for self installation
- White and RGB modules available

## LED Modules

### Product Information

LED modules are available in two different sizes (medium and large) with white diodes. An RGB variant is also available.

Product Name	Size	Colour	Colour Temp	Diodes	Watts	Modules per m
Medium LED	67 x 14 x 10mm	White	6000-6500K	2	0.66w	6
Large LED	93 x 14 x 10mm	White	6000-6500K	3	0.95w	5
RGB LED	58 x 33 x 5mm	RGB	Variable	4	1.44w	9

White LED Modules have a 160° beam angle, RGB LED Modules have a 130° beam angle

## LED Ribbon

### Product Information

LED ribbon comes with a double sided adhesive backing and is available in 'cool white' from stock in 24v for higher luminosity. LED ribbon is supplied complete with non-yellowing, scratch resistant UV stable resin with a certified IP65 rating.

Product Name	Size	Length	Colour	Watts
24v Ribbon L0	9 x 2.6mm	1200mm	White	5.7w
24v Ribbon L0	9 x 2.6mm	3000mm	White	14.4w
24v Ribbon L0	9 x 2.6mm	4000mm	White	19.2w
24v Ribbon L0	9 x 2.6mm	5000mm	White	24w
24v Ribbon HI	8 x 2.25mm	1200mm	White	17.2w
24v Ribbon HI	8 x 2.25mm	3000mm	White	43.2w
24v Ribbon HI	8 x 2.25mm	4000mm	White	57.6w
24v Ribbon HI	8 x 2.25mm	5000mm	White	72w



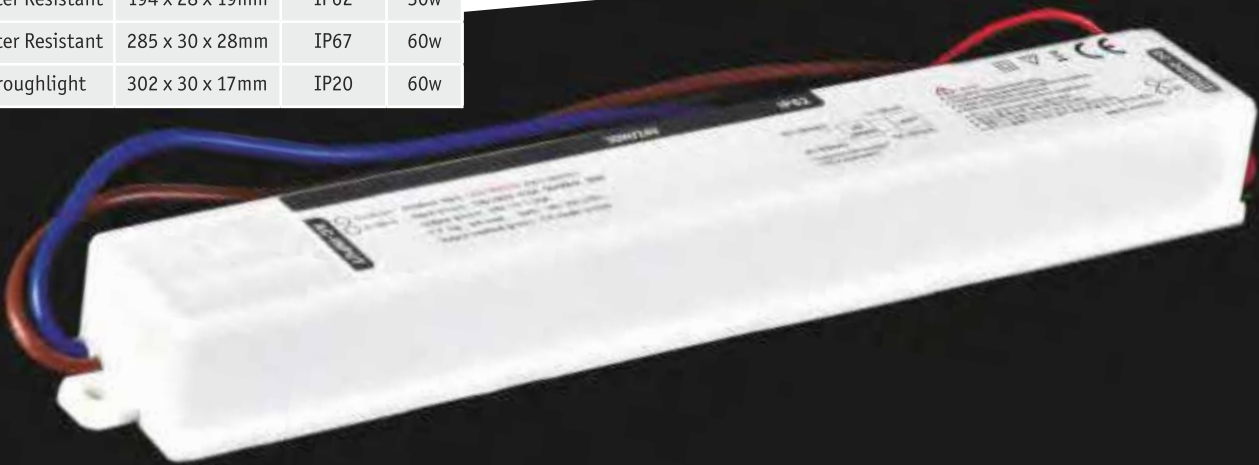


## Power Supplies

### Product Information

A comprehensive list of power supplies, all IP rated, suitable for use in conjunction with all LED modules and ribbon LED illumination products.

Product Name	Size	IP Rating	Watts
12v Water Resistant	75 x 35 x 23mm	IP65	10w
12v Water Resistant	140 x 30 x 22mm	IP67	18w
12v Water Resistant	148 x 40 x 30mm	IP67	35w
12v Water Resistant	163 x 42 x 32mm	IP67	60w
12v Water Resistant	190 x 52 x 37mm	IP67	100w
24v Water Resistant	194 x 28 x 19mm	IP62	30w
24v Water Resistant	285 x 30 x 28mm	IP67	60w
24v Troughlight	302 x 30 x 17mm	IP20	60w



## IP Rating - Ingress Protection Rating

IP (or "Ingress Protection") ratings are defined in international standard EN 60529 (British BS EN 60529:1992, European IEC 60509:1989). They are used to define levels of sealing effectiveness of electrical enclosures against intrusion from foreign bodies (tools, dirt etc) and moisture.

First Digit - Solids (Dust etc)		
Level	Object Size	Effective Against
X	Untested	Protection unspecified (untested)
0	Not Protected	No protection against contact and ingress of objects.
1	Over 50mm	Any large surface of the body, such as the back of the hand.
2	Over 12.5mm	Fingers or Similar objects.
3	Over 2.5mm	Tools, thick wires, etc.
4	Over 1mm	Most wires, screws, etc.
5	Dust Protection	Ingress of dust is not entirely prevented, but it must not enter insufficient quantity to interfere.
6	Dust Tight	No ingress of dust; complete protection against contact.













Second Digit - Liquids	
Level	Effective Against
X	Protection unspecified (untested)
0	No protection.
1	Dripping water (vertical falling drops) shall have no effect.
2	Vertical dripping water shall have no harmful effect when the enclosure is tilted at an angle up to 15° from its normal position.
3	Water falling as a spray at any angle up to 60° from the vertical shall have no harmful effect.
4	Water splashing from any direction shall have no harmful effect.
5	Water projected by a nozzle (6.3mm) from any direction shall have no harmful effects.
6	Water projected in powerful jets (12.5mm nozzle) from any direction shall have no harmful effects.
7	Ingress of water shall not be possible when immersed in water under defined conditions of pressure and time (up to 1m of submersion).
8	The equipment is suitable for continuous immersion in water under conditions which shall be specified by the manufacturer.

# Panel Frames

Panel sign frames are a decorative range of frames designed to give flat aluminium, composite or foam board signage an additional, decorative dimension.

## System Overview

	Single Sided	Double Sided	V-Mount	Inline	Corniche
Posts	•	•	•		•
Totem					
Freestanding					
Flat Wall	•			•	
Projecting	•	•			
Suspended	•	•			

- Prepped for Finishing 
- Vinyl Faced 
- Digital Print 
- Vinyl Text 
- Painted 
- Wood Effect 
- Shaping Options 
- Radius Corners 
- Holes 
- Clip Extrusion 
- Fret Cut 
- Flame Polish 
- LED Illumination 





# Single Sided Frames

Wall mounted sign frames can be used with aluminium, composite or foam board to create something more distinctive.

## KEY INFORMATION

- Available in component form for self manufacture or fully finished
- All frame variations available in white or silver anodised from stock
  - All frames are available in lengths of up to 5m
- Powder & wet coating available from upwards of a three day lead time

## Bullnose Panel Frame

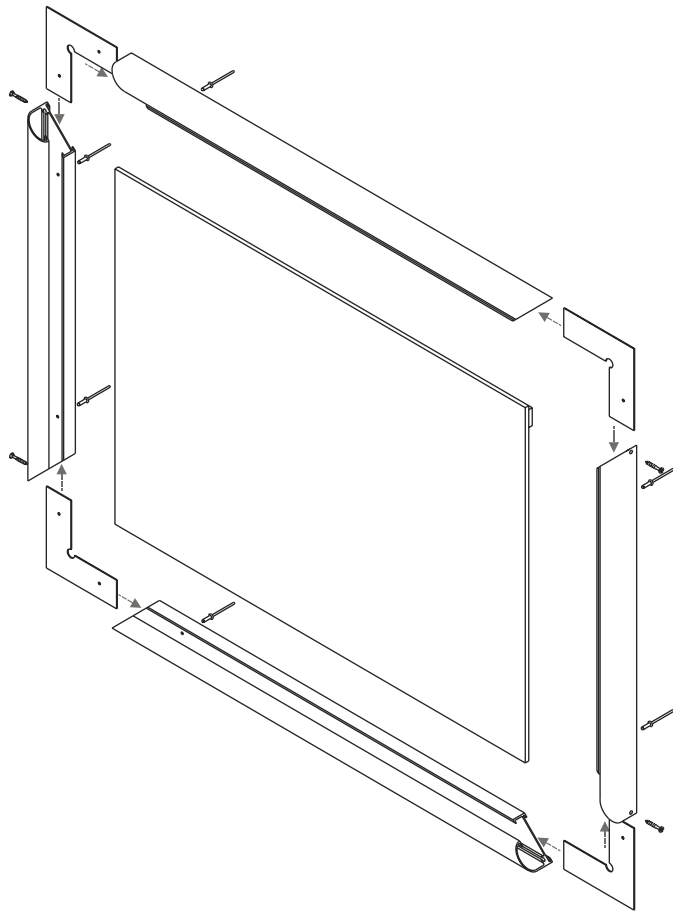
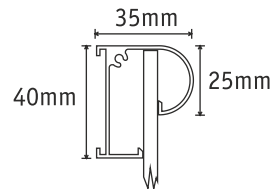
### Product Information

- Maximum recommended size: 5000 x 1500mm
- Recommended insert thickness: 3 - 5mm

Silver  
Anodised

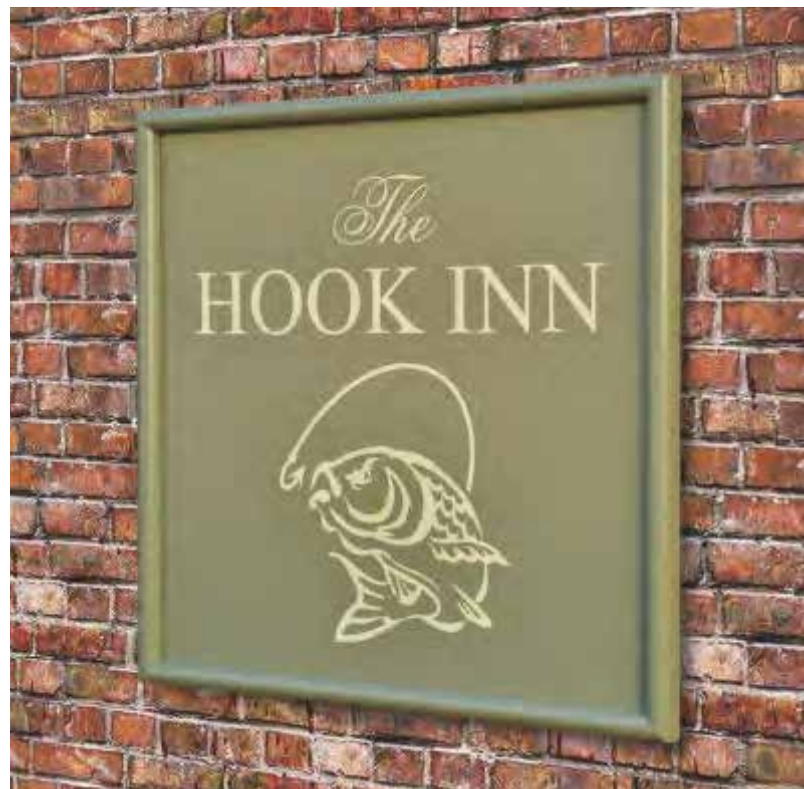
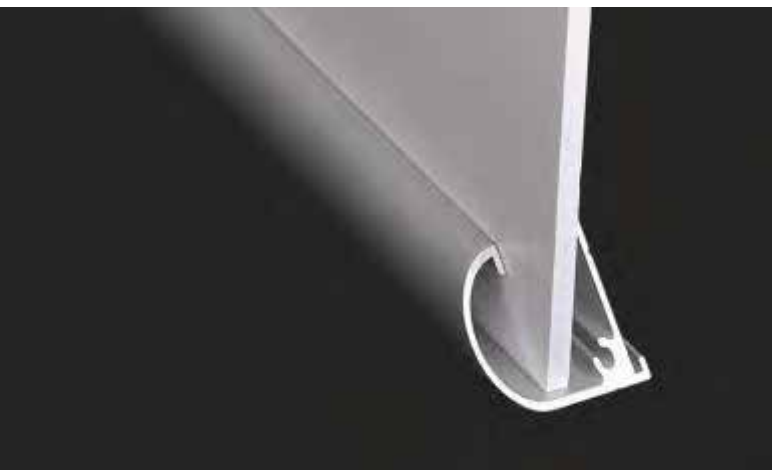
White  
RAL9016

Powder Coated  
to RAL of BS  
Colour



## Example Panel Frame

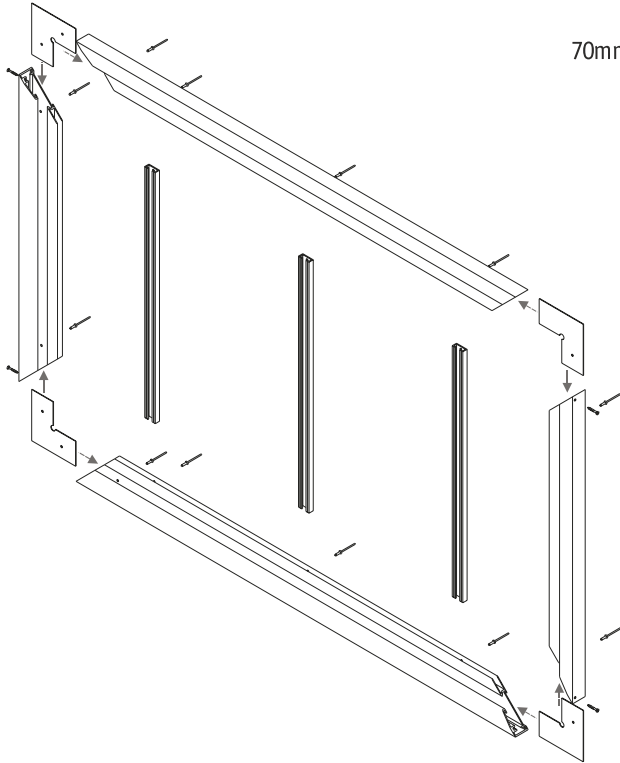
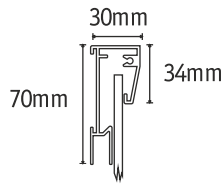
600 x 300mm - silver anodised finish - no insert



Ultimate Panel Frame

Product Information

- Maximum recommended size: 5000 x 2440mm
- Recommended insert thickness: 3 - 5mm
- Recommended for larger installations



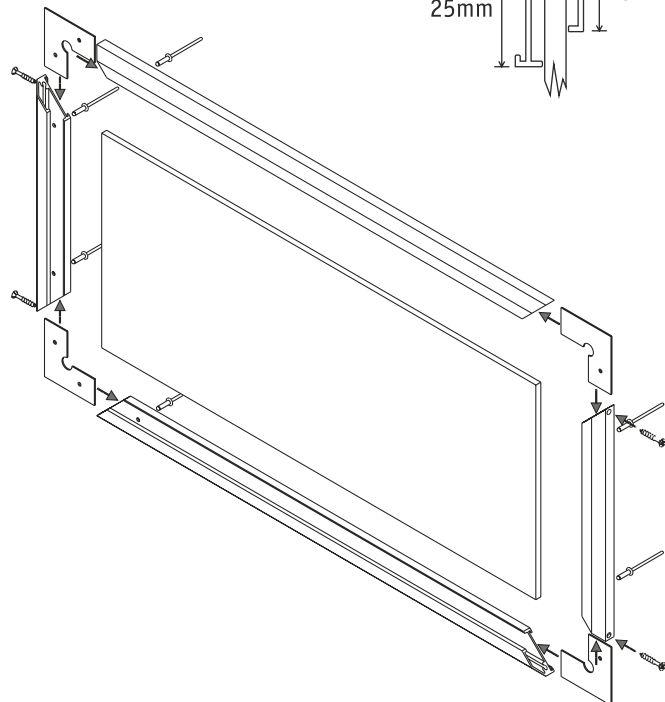
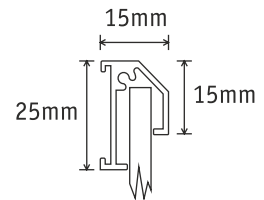
Example Panel Frame

600 x 300mm - silver anodised finish - no insert

Petite Panel Frame

Product Information

- Maximum recommended size: 5000 x 1200mm
- Recommended insert thickness: 3 - 5mm



Example Panel Frame

600 x 300mm - silver anodised finish - no insert

## Unitrim Panel Frame

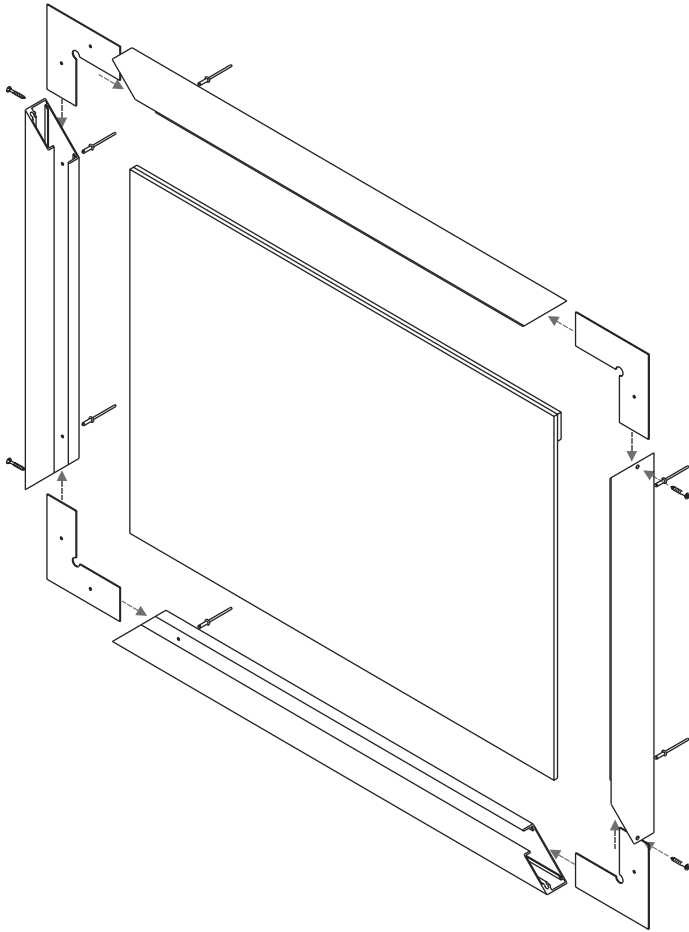
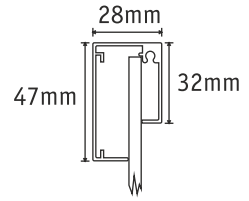
### Product Information

- Maximum recommended size: 5000 x 1500mm
- Recommended insert thickness: 3 - 5mm

Silver  
Anodised

White  
RAL9016

Powder Coated  
to RAL of BS  
Colour



### Example Panel Frame

600 x 300mm - silver anodised finish - no insert



Sponsored By:

# Grant & Stone

**BUILDERS  
MERCHANTS**

**PLUMBERS  
MERCHANTS**

**ELECTRICAL  
WHOLESALE**

**Grant & Stone  
KITCHENS &  
BATHROOMS**

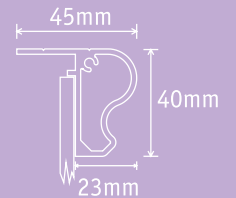
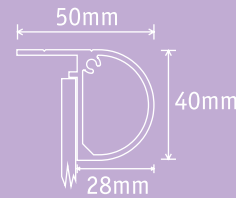
**Lighting  
Home Automation  
Showroom**



# Pub Style Frames

## Product Information

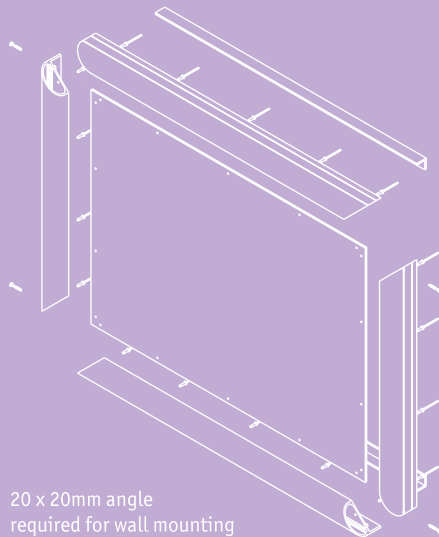
- Maximum recommended sizes:  
 Wall Mounting - 5000 x 1500mm  
 Post Mounting - 5000 x 1500mm  
 Suspended - 5000 x 1500mm
- Recommended insert thickness: 1-10mm
- Single or double sided



Bullnose

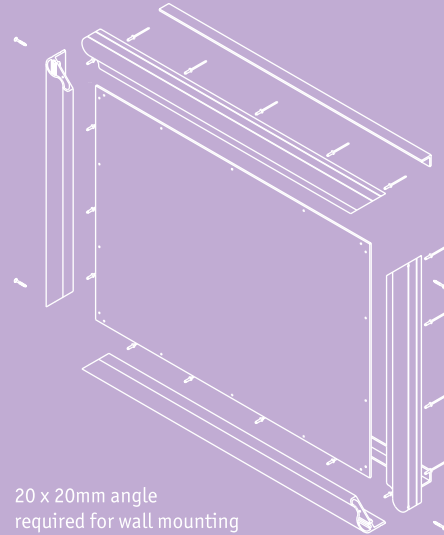
Ogee

## Wall Mounted Bullnose



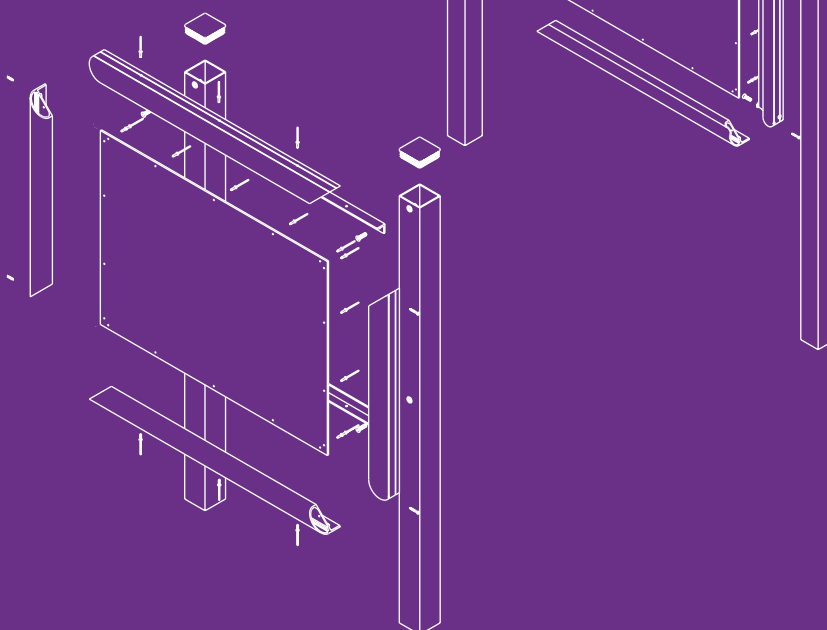
20 x 20mm angle required for wall mounting

## Wall Mounted Ogee



20 x 20mm angle required for wall mounting

## Post Mounted Bullnose



## Post Mounted Ogee

## Suspended Ogee



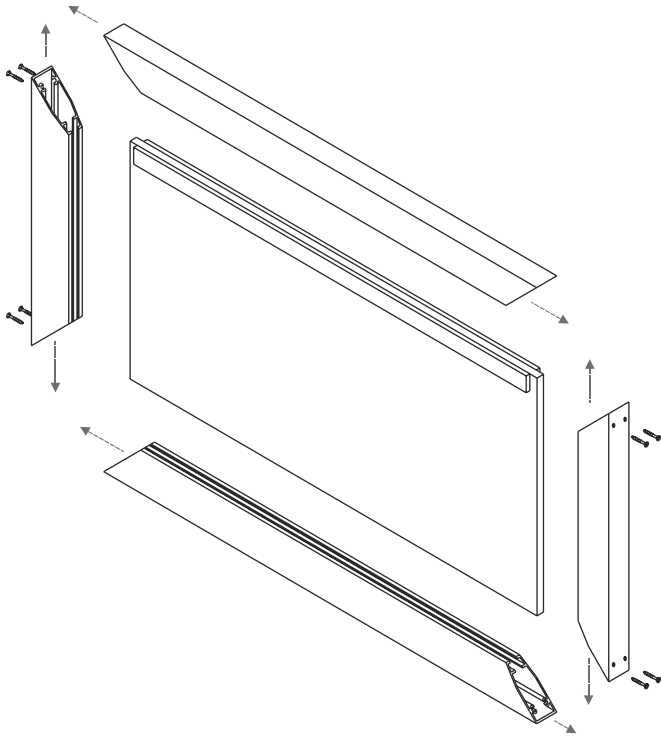
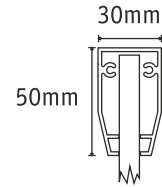
# Double Sided Frames

Designed as a double-sided frame, Edgelighter sign frame can be used in conjunction with LED ribbon and acrylic to offer an edge-lit sign system.

## Edgelighter Panel Frame

### Product Information

- Maximum recommended size: 5000 x 1500mm
- Ideal for use with ribbon LED for illuminating clear acrylic panels
- Recommended insert thickness: 10mm



### Example Panel Frame

600 x 300mm - silver anodised finish - no insert



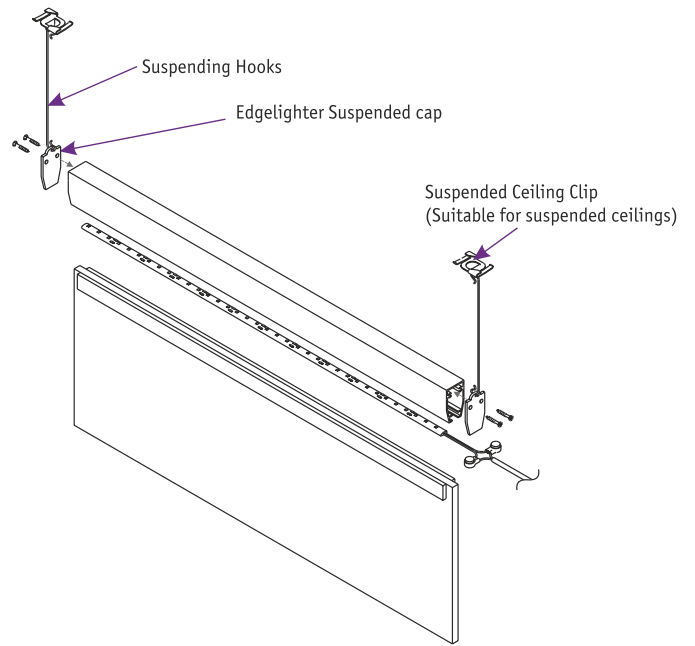
## Painted Panel Frames

With 179 stock powder coating colours we are sure to have the perfect colour to match your requirements.

AS colours to equivalent RAL Powder colours					
AS01	RAL5012	AS06	RAL9016	AS11	RAL1014
AS02	RAL5005	AS07	RAL3004	AS12	RAL9005
AS03	RAL5002	AS08	RAL3020	AS15	RAL8017
AS04	RAL6029	AS09	RAL2008	AS16	RAL7042
AS05	RAL6005	AS10	RAL1023	AS25	RAL5017

Gloss, matt, satin or metallic finishes are available across the range - please remember to specify your preference when placing your order or requesting your quote.





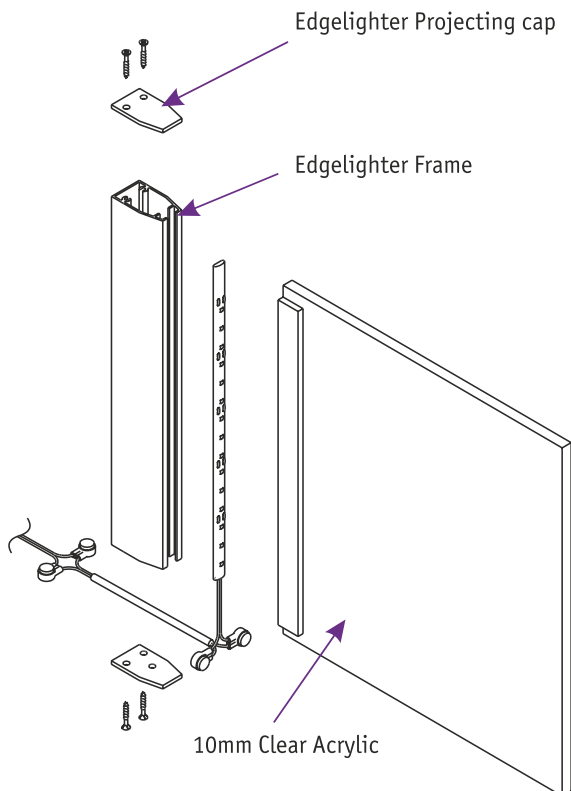
Suspended Signage Accessories

Key Information

- Stock colours; Silver & white
- Material; Stainless steel



Part	Finish	Material	Length
Hanging Hook	Silver	Stainless Steel	25mm
Hanging Hook	Silver	Stainless Steel	50mm
Hanging Hook	Silver	Stainless Steel	150mm
Hanging Hook	Silver	Stainless Steel	400mm
Suspended Ceiling Clip	White	Steel	---

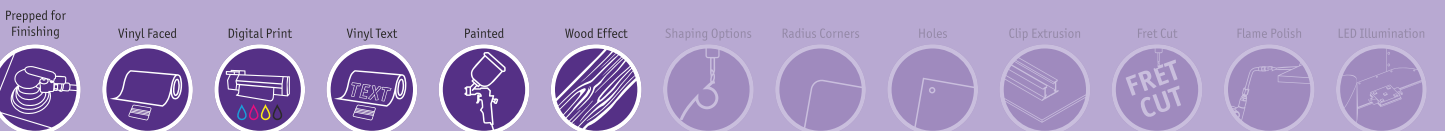


# K'nect Signage System

The K'nect signage system features a snap-fit friction fixing system for a secure and reliable fixing, whilst enabling easy and quick media changes without tooling. Available in six different slat heights and with slider and spacer options, K'nect is ideal for any way finding project.

## System Overview

	Single Sided	Double Sided	V-Mount	Inline	Corniche
Posts					
Totem					
Freestanding					
Flat Wall	•				
Projecting	•	•			
Suspended	•	•			





# K'nect

Slatted snap-fit directory signage system available in 3 mount types. Slat heights range from 30mm to 210mm. Slider housing slats are also available.

## KEY INFORMATION

- Units can be assembled into either; single or multi-level systems
- Available in component form for self manufacture or fully finished
- Silver anodised from stock available from same/next day dispatch
- Powder & wet coating available from upwards of a three day lead time

## K'nect Signage Styles



Wall Mounted

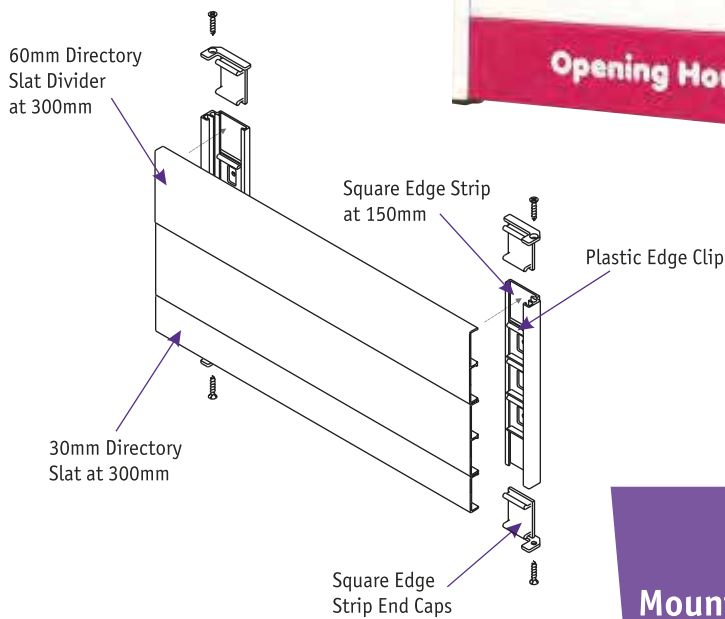


Projecting



Suspended

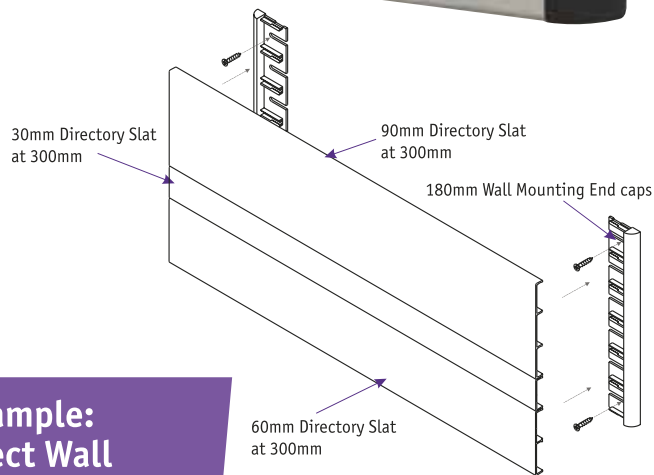
## Wall Mounted (Multi-Slat)



Example:  
Kinect Wall  
Mounted (Metal Edge)  
Silver anodised



## Wall Mounted (Single Cap)



**Example:**  
Kinect Wall  
Mounted (Plastic Edge)  
Silver anodised



## Compatible Slat Heights Available

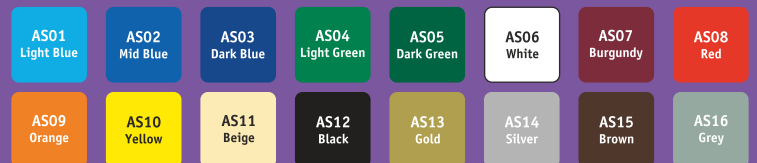


## Single slat signs? Simple!

Wall mounted single cap K'nect is as simple as fitting two caps to a wall and clicking a slat in place.

Size	Material	Finish
60mm	Plastic	Black
90mm	Plastic	Black
120mm	Plastic	Black
150mm	Plastic	Black
180mm	Plastic	Black
210mm	Plastic	Black

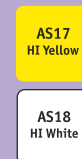
### Non-Reflective Vinyl



### Reflective Vinyl

All of our standard reflective vinyls are in compliance with BS EN 12899-1:2007 and BS 8442.

#### Class 1 (RA2)



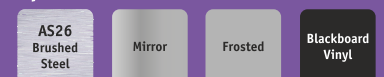
#### Class 2 (RA1)



### ECOF Overlay

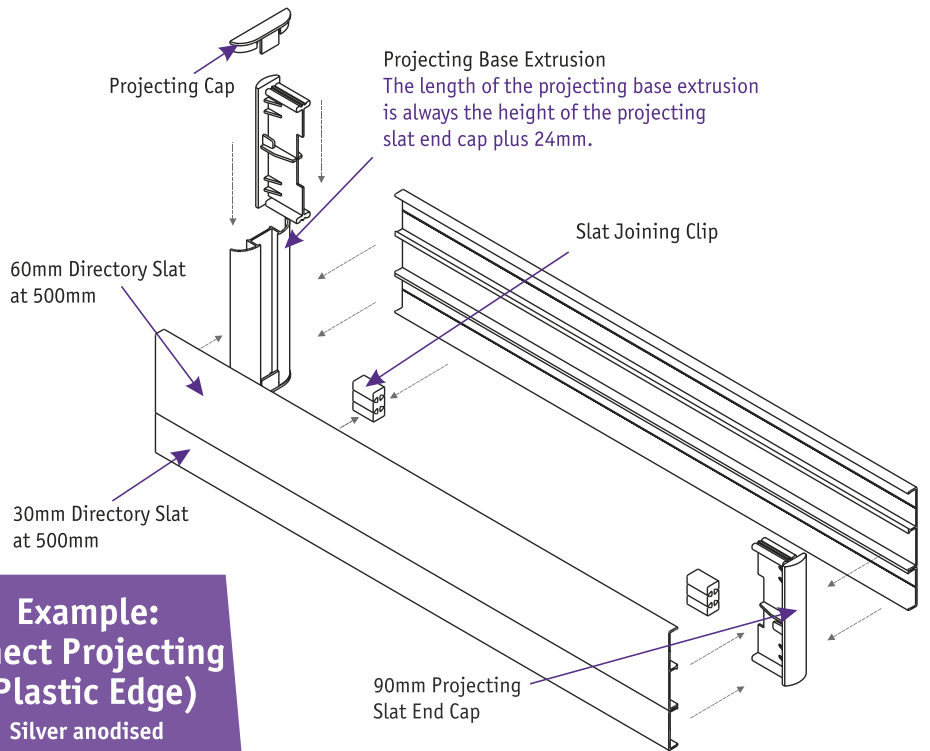
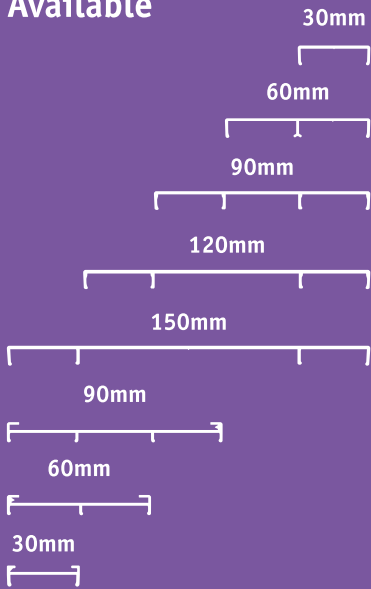


### Specialist



## Projecting

### Compatible Slat Heights Available



**Example:**  
Kinect Projecting  
(Plastic Edge)  
Silver anodised

Silver Anodised

Powder Coated to RAL of BS Colour

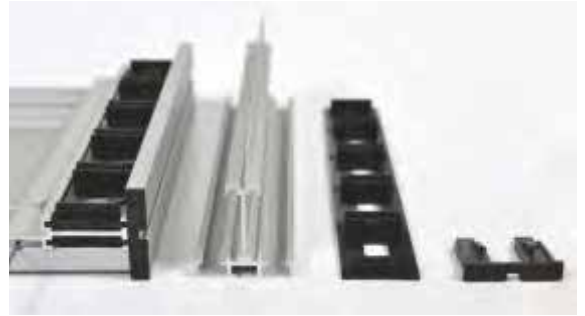
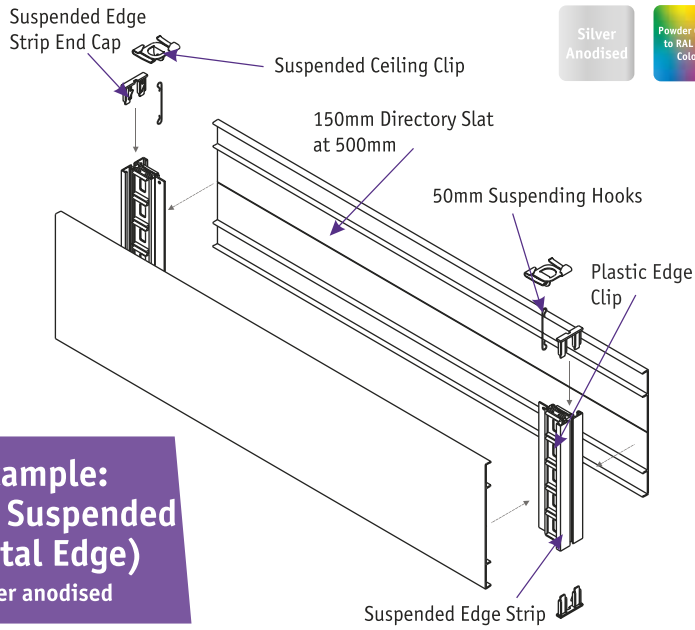
## RAL Painted K'nect

With 179 stock powder coating colours we are sure to have the perfect colour to match your requirements.



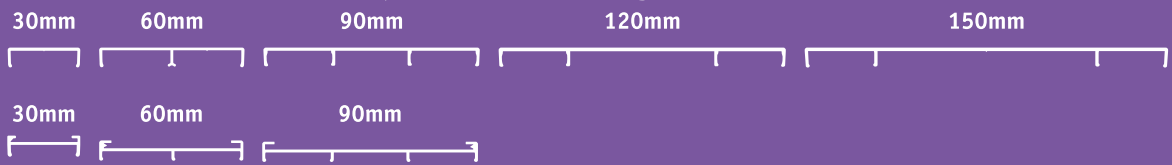
AS colours to equivalent RAL Powder colours					
AS01	RAL5012	AS06	RAL9016	AS11	RAL1014
AS02	RAL5005	AS07	RAL3004	AS12	RAL9005
AS03	RAL5002	AS08	RAL3020	AS15	RAL8017
AS04	RAL6029	AS09	RAL2008	AS16	RAL7042
AS05	RAL6005	AS10	RAL1023	AS25	RAL5017

## Suspended



**Example:**  
Kinect Suspended  
(Metal Edge)  
Silver anodised

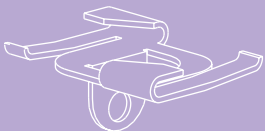
### Compatible Slat Heights Available



## Suspended Signage Accessories

### Key Information

- Stock colours; Silver & white
- Material; Stainless steel



Part	Finish	Material	Length
Hanging Hook	Silver	Stainless Steel	25mm
Hanging Hook	Silver	Stainless Steel	50mm
Hanging Hook	Silver	Stainless Steel	150mm
Hanging Hook	Silver	Stainless Steel	400mm
Suspended Ceiling Clip	White	Steel	---

# Glass Effect (Acrylic)

Glass effect signage is available in 3, 5 or 10mm acrylic from stock in green or clear edge. Supplied with or without prints (reverse or face applied), a range of fixings and options that include frosted backing and edge lit LED illumination.

## System Overview

	Single Sided	Double Sided	V-Mount	Inline	Corniche
Posts	•	•	•	•	•
Totem					
Freestanding					
Flat Wall	•				•
Projecting	•	•			
Suspended	•	•			





**SASSSETTA**  
CAFFE

Coffee	Small	Medium	Large
Espresso	£1.35	£1.65	£2.05
Double Espresso	£1.85	£2.15	£2.55
Espresso Machitto	£1.35	£1.65	£2.05
Americano	£1.65	£1.95	£2.30
Flat White	£1.75	£2.05	£2.40
Cappuccino	£2.35	£2.95	£3.25
Caffe Latte	£2.40	£2.95	£3.25
Caffe Mocha	£2.60	£3.15	£3.45

# Glass Effect (Acrylic)

Wall mounted acrylic signs feature a choice of clear or green tinted acrylic, cut to your required shape and size.

## KEY INFORMATION

- Standard Thicknesses; 3, 5 & 10mm
- Flame polished edges available
- Available as semi or fully finished Signage for next day despatch

## Modular Signage Styles



Post Mounted



Wall Mounted



Projecting



Suspended

## Blank Glass Effect Panels



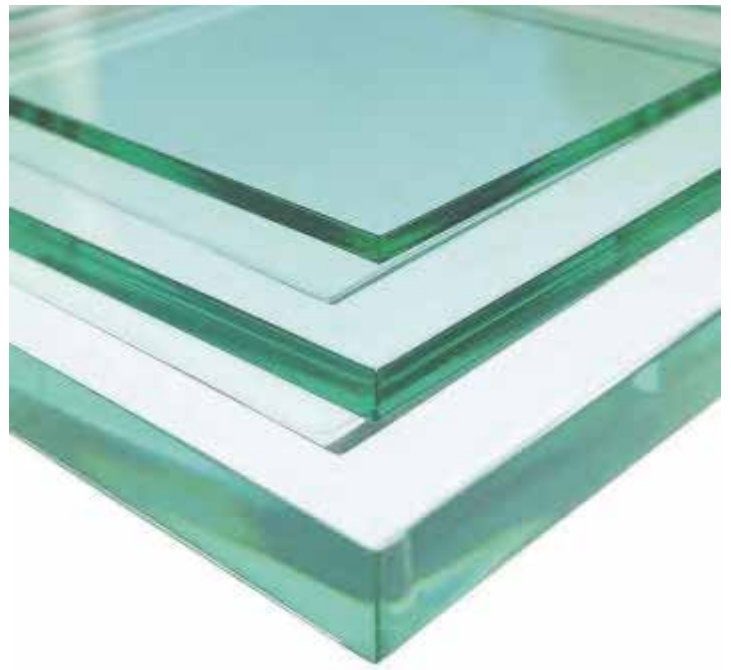
Clear Finish

Thickness

3mm

5mm

10mm



Green Tint

Thickness

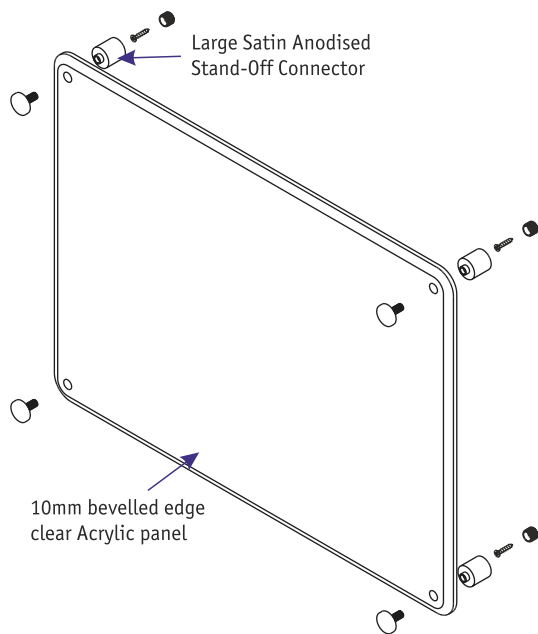
3mm

5mm

10mm

Additional charges will be added for Flame polishing the edges of clear acrylic



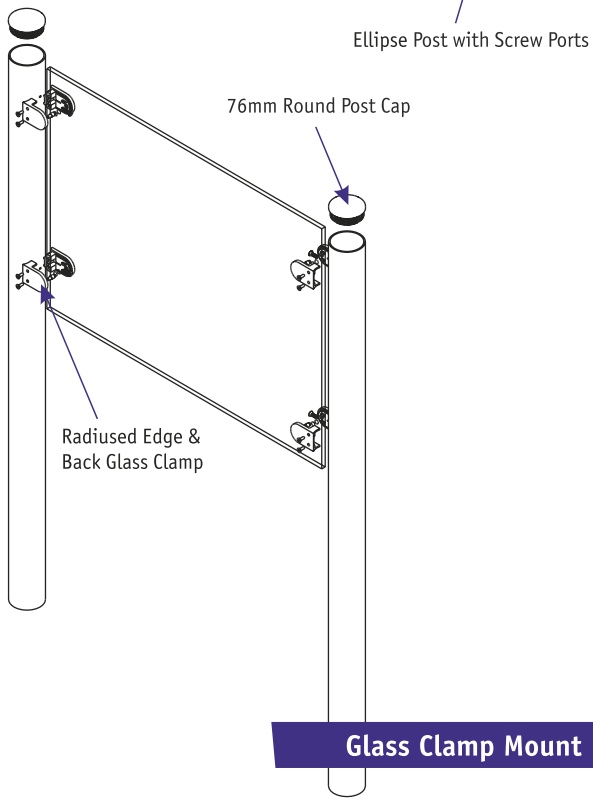
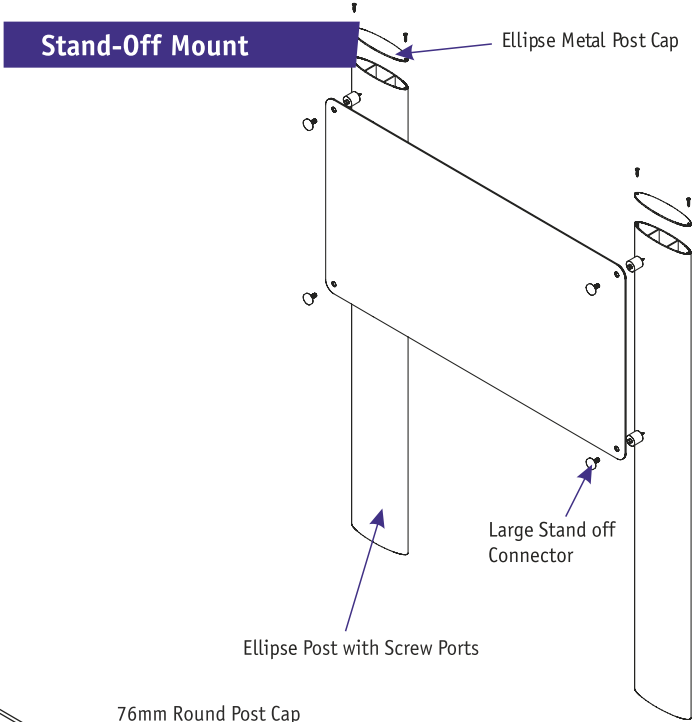


## Finishing Touches

Glass effect can be used with stand-off connectors to create wall and post mounted signage.

Size	Panel Thickness	Overall Size	Finish
Small	2 - 6mm	12 x 25.8mm	Chrome
Small	2 - 6mm	12 x 25.8mm	Satin Anodised
Medium	2 - 10mm	16 x 30.5mm	Chrome
Medium	2 - 10mm	16 x 30.5mm	Satin Anodised
Large	5 - 10mm	25 x 35.5mm	Chrome
Large	5 - 10mm	25 x 35.5mm	Satin Anodised





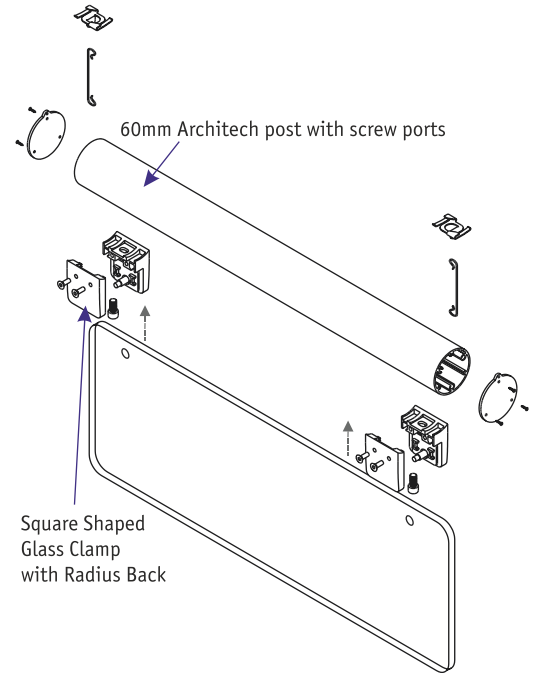
## Finishing Touches

Glass effect can be used with glass clamps to create post mounted and projecting signage.



Size	Outer Shape	Back Shape	Finish
66 x 45 x 27mm	Round	Radius	Stainless Steel
66 x 45 x 27mm	Round	Radius	Zamac
59 x 53 x 30mm	Square	Radius	Stainless Steel
59 x 53 x 30mm	Square	Radius	Zamac
63 x 45 x 28mm	Round	Flat	Stainless Steel
63 x 45 x 28mm	Round	Flat	Zamac
55 x 53 x 30mm	Square	Flat	Stainless Steel
55 x 53 x 30mm	Square	Flat	Zamac





Length	Size	Finish
5000mm	28 x 32 x 47mm	Silver Anodised
5000mm	28 x 32 x 47mm	White

Cap Type	Finish
Projecting	Mill
Projecting	White
Suspended	Mill
Suspended	White

**Edge Lighter for suspending and projecting signage**

Silver Anodised

White RAL9016

Powder Coated to RAL or BS Colour

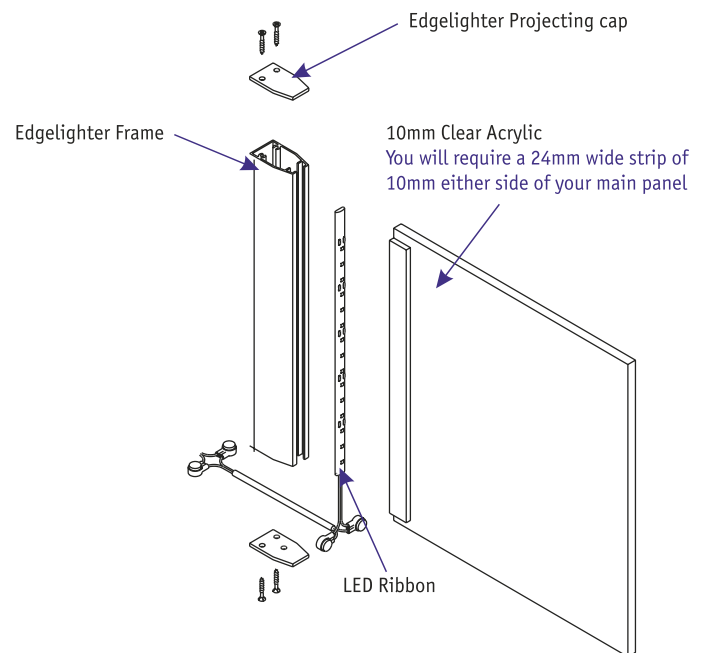
Extrusion available in white and satin anodised from stock or powder coated to a RAL or BS colour.



Edgelighter Projecting cap



Edgelighter Suspended cap

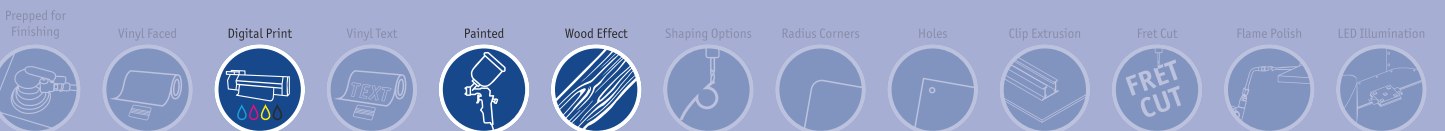


# Banner Systems

Our banner signage range comprises heavy duty systems to mount banners both perpendicular and parallel to walls as well as lightweight spring loaded systems to mount banners from any surface.

## System Overview

	Single Sided	Double Sided	V-Mount	Inline	Corniche
Posts	•	•			
Totem					
Freestanding					
Flat Wall	•				
Projecting	•	•			
Suspended					





# Which Banner System?

## BannerSpring

### Product Information

- Spring-loaded, wind spilling banner system
- Suitable for banners up to 800mm wide and 3000mm high
- Black from stock or coated to any colour
- For use in high-wind areas to avoid banner damage due to spring fitting



## BannerFast 90°

### Product Information

- Heavy duty banner system
- Mounted perpendicular to the wall
- Suitable for banners up to 1500mm wide and 3000mm high
- Available powder coated to any colour



## BannerFast 180°

### Product Information

- Heavy duty banner system
- Sits parallel to the wall
- Suitable for banners up to 1500mm wide and 3000mm high
- Available powder coated to any colour



## Need Banners Printed? We do that too!

### 510gsm Banners

- High quality, coated PVC banner
- Great tear strength
- Temperature resistant from -20°C to 70°C
- Bright white matt finish
- Durability - 3 years
- Fire retardant to DIN 75200
- For both internal and external use





## BannerSpring

BannerSpring is a wind spill banner system that utilises a spring loaded construction which reduces wind loading on the banner by up to 88% vs. a non spring-loaded system resulting in reduced chance of damage.

### KEY INFORMATION

- Suitable for banners widths from 300mm to 800mm wide
- Can withstand wind speeds of up to 80mph
- Lead times start from same day for stocked items
- 3-5 days on stock powder coating colours

### BannerSpring

#### Product Information

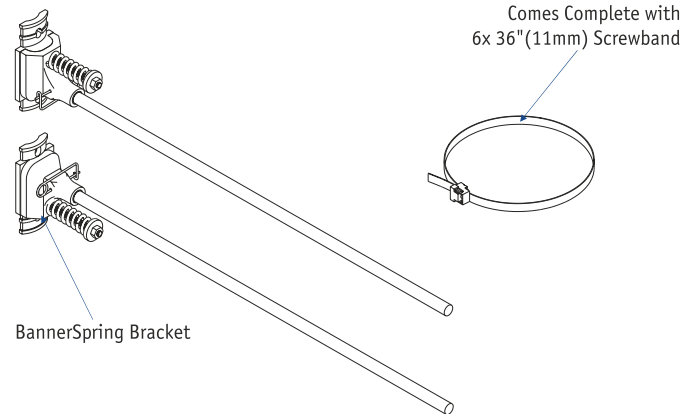
- Kit comprises; 2x (2-part) aluminium bracket assemblies
- 2x GRP (glass reinforced plastic) projecting poles
- 2x Safety pins
- 6x 36" (914mm) screwbands

To suit Banner Width	Finish
800mm	Black
800mm	Powder Coated
800mm	Wet Coated

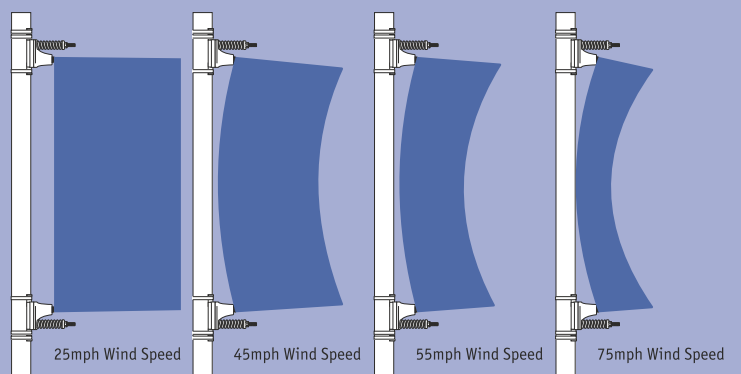
An excess powder coating charge is applicable on all colours except white, please call our sales team for a quotation

Black  
RAL9005

Powder Coated  
to RAL of BS  
Colour



### BannerSpring wind-spill diagram



# BannerFast 90°

Bannerfast 90° is a heavy duty, tension banner system. It comprises of two welded base plate projecting brackets with an additional tensioning post that enables a banner to be mounted perpendicular to the mounting surface.

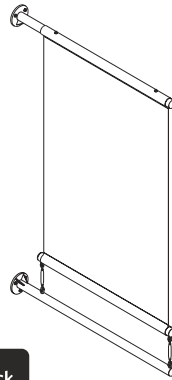
## KEY INFORMATION

- Recommended suitable for banners of widths from 500 - 1500mm wide
- Lead times start from a three day manufacture
- Optional black plastic post caps or welded end caps

## BannerFast 90°

### Product Information

- Kit comprises;
  - 2x 50mm welded baseplate post projecting brackets
  - 1x 50mm tensioning post
  - 2x stainless steel rigging screws (M6 Jaw)
  - 4x stainless steel M6 eyebolts



### Kit Comprises



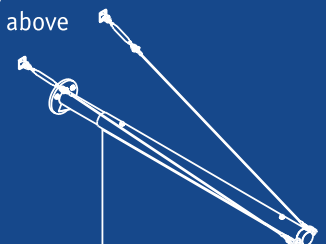
Black  
RAL9005

Powder Coated  
to RAL of 95  
Colour

To suit Banner Width	Cap	Finish
500mm	Plastic	Black
600mm	Plastic	Black
700mm	Plastic	Black
800mm	Plastic	Black
900mm	Plastic	Black
1000mm	Plastic	Black
1100mm	Plastic	Black
1200mm	Plastic	Black
1300mm	Plastic	Black
1400mm	Plastic	Black
1500mm	Plastic	Black
500mm - 1500mm	Plastic	Powder Coated
500mm - 1500mm	Plastic	Wet Coated
500mm	Welded	Black
600mm	Welded	Black
700mm	Welded	Black
800mm	Welded	Black
900mm	Welded	Black
1000mm	Welded	Black
1100mm	Welded	Black
1200mm	Welded	Black
1300mm	Welded	Black
1400mm	Welded	Black
1500mm	Welded	Black
500mm - 1500mm	Welded	Powder Coated
500mm - 1500mm	Welded	Wet Coated



We recommend the use of a cable stay kit for 900mm banner width and above



An excess powder coating charge is applicable on all colours except white, please call our sales team for a quotation

## BannerFast 180°

Bannerfast 180° is similar in design to Bannerfast 90° but sits parallel to the wall. Suitable for large banners up to 1500mm wide. Banners are tensioned using two rigging screws after looping the banner over the uppermost pole.

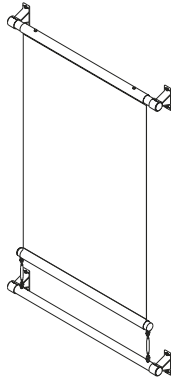
### KEY INFORMATION

- Recommended suitable for banners of widths from 500mm - 1500mm wide
- Lead times start from a three day manufacture
- Optional black plastic post caps or welded end caps

### BannerFast 180°

#### Product Information

- Kit comprises;
  - 2x welded plate post projecting brackets,
  - 1x 50mm tensioning post,
  - 2x stainless steel rigging screws (M6 Jaw),
  - 4x stainless steel M6 eyebolts



To suit Banner Width	Cap	Finish
500mm	Plastic	Black
600mm	Plastic	Black
700mm	Plastic	Black
800mm	Plastic	Black
900mm	Plastic	Black
1000mm	Plastic	Black
1100mm	Plastic	Black
1200mm	Plastic	Black
1300mm	Plastic	Black
1400mm	Plastic	Black
1500mm	Plastic	Black
500mm - 1500mm	Plastic	Powder Coated
500mm - 1500mm	Plastic	Wet Coated
500mm	Welded	Black
600mm	Welded	Black
700mm	Welded	Black
800mm	Welded	Black
900mm	Welded	Black
1000mm	Welded	Black
1100mm	Welded	Black
1200mm	Welded	Black
1300mm	Welded	Black
1400mm	Welded	Black
1500mm	Welded	Black
500mm - 1500mm	Welded	Powder Coated
500mm - 1500mm	Welded	Wet Coated

An excess powder coating charge is applicable on all colours except white, please call our sales team for a quotation



#### Kit Comprises

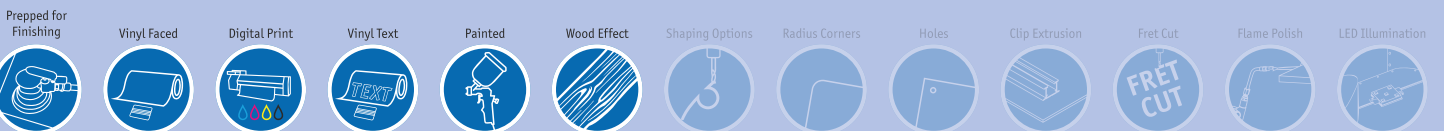


# Display

The Display signage range includes Clip frames, Poster, Pinboard cases and A-Boards for displaying changeable printed media. Hanging Brackets and Shield signs can be used for permanent signage. We also offer L&T slider housing directories for frequently changing graphics.

## Category Contents

Display Cases	150
Clip Frames	151
Pavement Signs	152
Hanging Brackets	153
Shield Signs	154
L & T Directory	155





# Display Cases

We offer lockable Pinboard and Poster cases which comprise of aluminium frame, 2mm poly carbonate face and security locks. Display cases are recommended for both internal and external use. Available in sizes from A4 to 1524 x 1016mm.

## KEY INFORMATION

- Poster cases and Pin Boards
- Silver anodised finish from stock
- Available for same day dispatch from stock

### Poster cases

Size	Finish	Material	Frame Size
A4	Silver Anodised	Various	55mm
A4	Coloured	Various	55mm
A3	Silver Anodised	Various	55mm
A3	Coloured	Various	55mm
A2	Silver Anodised	Various	55mm
A2	Coloured	Various	55mm
508 x 762mm	Silver Anodised	Various	55mm
508 x 762mm	Coloured	Various	55mm
A1	Silver Anodised	Various	55mm
A1	Coloured	Various	55mm
762 x 1016mm	Silver Anodised	Various	55mm
762 x 1016mm	Coloured	Various	55mm
A0	Silver Anodised	Various	55mm
A0	Coloured	Various	55mm
1016 x 1524mm	Silver Anodised	Various	55mm
1016 x 1524mm	Coloured	Various	55mm

Silver Anodised

RAL 5002

RAL 6005

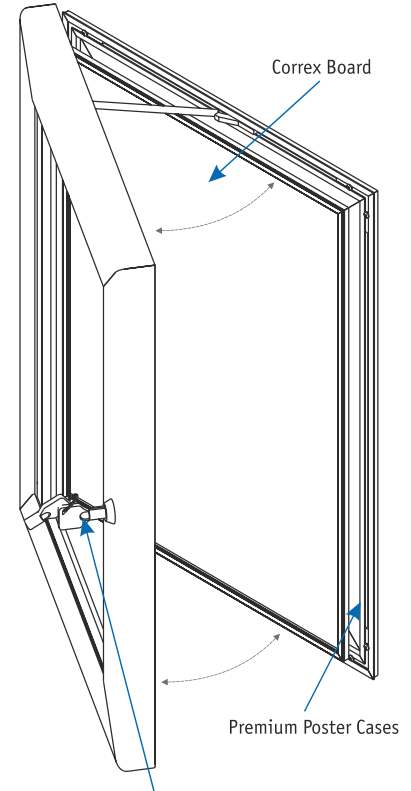
RAL 3020

RAL 7015

RAL 9003

RAL 9005

Frame colour: RAL 5002 (ultramarine blue) / RAL 6005 (moss green)  
RAL 9003 (white) / RAL 3020 (traffic red) / RAL 7015 (slate grey)  
RAL 9005 (black) - pine and oak available POA



Premium Poster Pinboard Case Lock Keys

### Pinboard Cases



Silver Anodised

Size	Finish	Material	Frame Size
A4	Silver Anodised	Various	55mm
A3	Silver Anodised	Various	55mm
A2	Silver Anodised	Various	55mm
508 x 762mm	Silver Anodised	Various	55mm
A1	Silver Anodised	Various	55mm
762 x 1016mm	Silver Anodised	Various	55mm
A0	Silver Anodised	Various	55mm
1016 x 1524mm	Silver Anodised	Various	55mm

Felt backing colour: RAL 5002 (ultramarine blue) / RAL 7007 (grey)



# Clip Frames

Clip Frames are a useful and cost effective way of displaying information temporarily. The anodised edges 'snap' back to allow paper or other lightweight media to be put in place.

## KEY INFORMATION

- Digitally Printed posters can be supplied to suit
- Lead times start from same day despatch for stocked colours

### Rounded Corner Clip Frames

#### Key Information

- Supplied complete with anti-glare clear cover insert

Size	Finish	Material	Frame Size
A4	Silver Anodised	Various	25mm
A3	Silver Anodised	Various	25mm
A2	Silver Anodised	Various	25mm
508 x 762mm	Silver Anodised	Various	25mm
A1	Silver Anodised	Various	25mm
762 x 1016mm	Silver Anodised	Various	25mm
A0	Silver Anodised	Various	25mm

Silver Anodised



### Mitred Corner Clip Frames



#### Key Information

- Supplied complete with anti-glare clear cover insert
- Also available in; black, red, white, blue, green, grey, oak, pine, polished gold and polished silver - POA

Silver Anodised

Size	Finish	Material	Frame Size
A4	Silver Anodised	Various	25mm
A3	Silver Anodised	Various	25mm
A2	Silver Anodised	Various	25mm
508 x 762mm	Silver Anodised	Various	25mm
A1	Silver Anodised	Various	25mm
762 x 1016mm	Silver Anodised	Various	25mm
A0	Silver Anodised	Various	25mm

### Replacement Clear Covers

Size	Material	Thickness
A4	Acrylic	0.5mm
A3	Acrylic	0.5mm
A2	Acrylic	0.5mm
508 x 762mm	Acrylic	0.5mm
A1	Acrylic	0.5mm
762 x 1016mm	Acrylic	0.5mm
A0	Acrylic	0.5mm

#### Key Information

- Textured front with gloss reverse

# Pavement Signs

Pavement signs are available in both clip frame and folded aluminium panel variations.

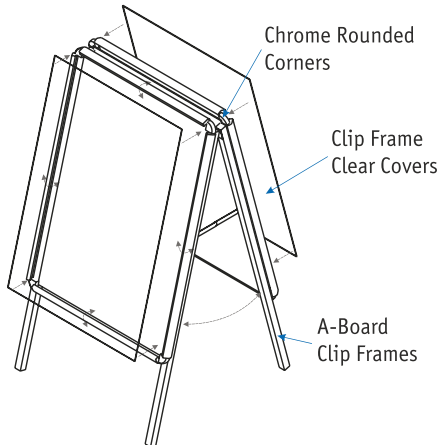
## KEY INFORMATION

- Can have digital print or vinyl applied direct to faces
- Lead times start from same day despatch for stocked colours

### Clip Frame A-Boards

#### Key Information

- A-Board Clip Frames have rounded, chrome effect corners and a shock resistant, anti-corrosion back panel
- Extruded aluminium legs, metal hinges and locking stays



Size	Finish	Material	Frame Size
A2	Anodised	Various	32mm
508 x 762mm	Anodised	Various	32mm
A1	Anodised	Various	32mm
A0	Anodised	Various	32mm

Silver Anodised



### Aluminium A-Boards

#### Key Information

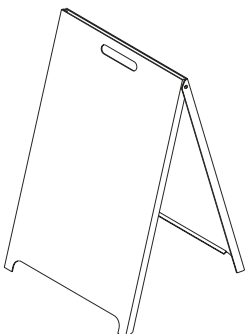
- Aluminium A-Boards are manufactured from 2.5mm aluminium with a face to view size of 445mm x 740mm

Size	Finish	Material
445 x 740mm	Mill	1050A aluminium
445 x 740mm	White	1050A aluminium
445 x 740mm	Powder Coated	1050A aluminium
445 x 740mm	Wet Coated	1050A aluminium

Mill Finish

White RAL9016

Powder Coated to RAL of BS Colour





# Hanging Brackets

Sign hanging brackets offer a decorative finish to suspended panel and tray signage systems and are a common site along many high streets and in shopping centres.

## KEY INFORMATION

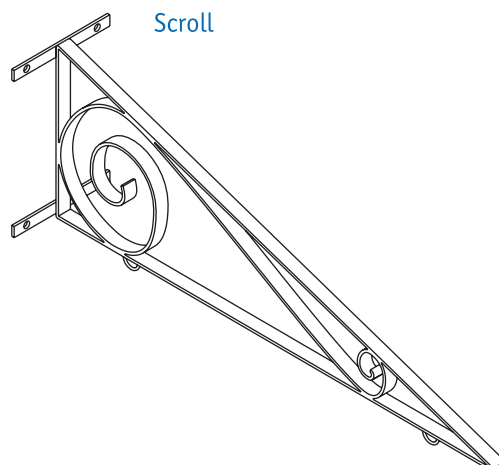
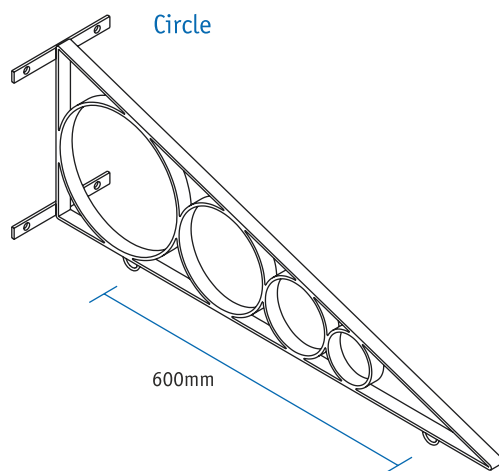
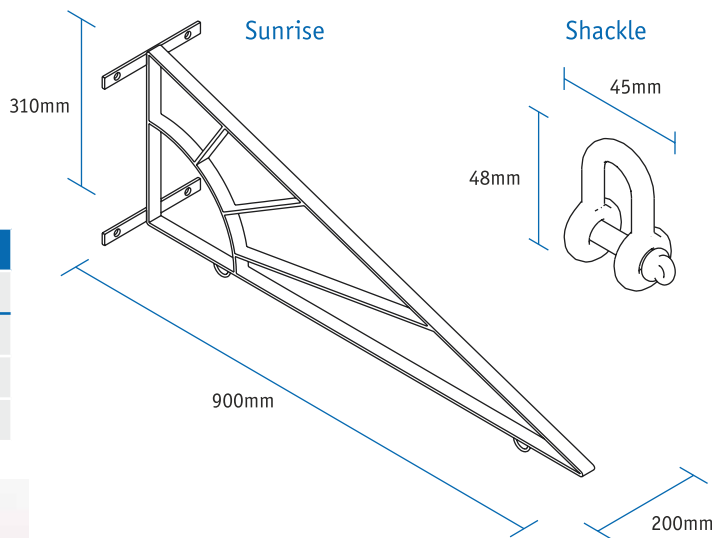
- Fabricated in 5mm mild steel
- Pre-treated and powder coated to RAL 9005 black
- Available for same day despatch from stock
- Lead times on powder coated items start from 2 day despatch

## Hanging Brackets

### Key Information

- Three designs available
- 600mm hole centres required for hanging holes
- Maximum panel width: 875mm
- 2x M8 hanging shackles required for suspending panels

Product	Finish	Material	Bolt Size	Size
M8 Shackle	Silver	Steel	M8	45 x 48mm
Sunrise Hanging Bracket	Black	Steel	---	310 x 900 x 200mm
Circle Hanging Bracket	Black	Steel	---	310 x 900 x 200mm
Scroll Hanging Bracket	Black	Steel	---	310 x 900 x 200mm



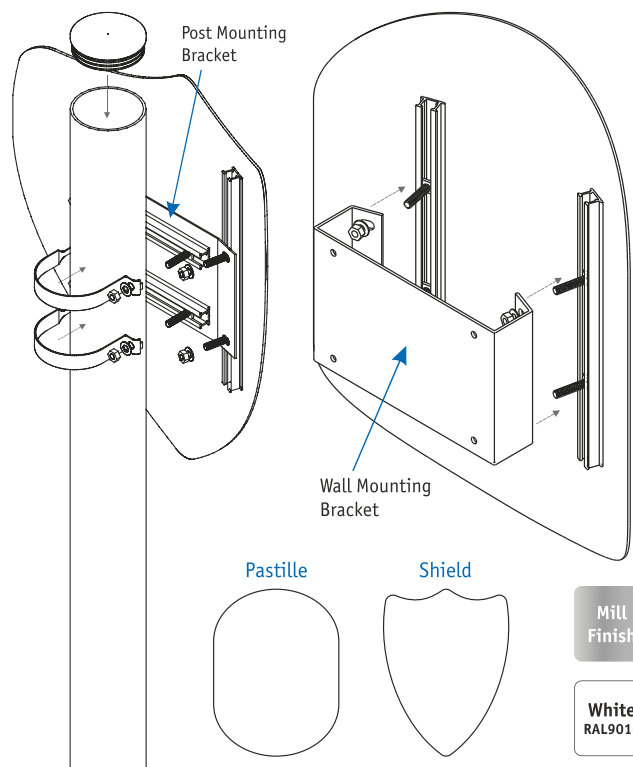
# Shield Signs

Shaped feature, curved panel signs designed for use with two styles of bracket to suit post or wall mounting.

## KEY INFORMATION

- Shapes; Shield & Pastille
- RAL 9016 white from stock
- Powder coating available from upwards of a two day lead time
- Post and wall mounting brackets available

## Shield Signs



Shape	Size	Finish
Pastille (S)	420 x 540mm	White
Pastille (M)	540 x 715mm	White
Pastille (L)	725 x 960mm	White
Shield (S)	420 x 540mm	White
Shield (M)	540 x 715mm	White
Shield (L)	725 x 960mm	White
Post Mounting Bracket	Universal	Mill
Wall Mounting Bracket	For Small Sizes	Mill
Wall Mounting Bracket	For Medium Sizes	Mill
Wall Mounting Bracket	For Large Sizes	Mill



## Need Digital Prints? We do that too!

Clear, white and reflective prints with gloss, matt, textured & anti-graffiti laminate available.

Head to page 174 for more information.



# L&T Directory

'L' & 'T' comprises of two extrusions. These are most commonly riveted or adhered to the face of signage to allow for interchangeable or variable graphics (sliders, for example).

### KEY INFORMATION

- Overall dimensions; 20 x 9mm ('L'), 40 x 9mm ('T')
- Stock colours available from same day despatch
- Powder & wet coating available from upwards of a three day lead time

## L & T Directory



Shape	Length	Finish
'L' Shape	3000mm	Silver Anodised
'L' Shape	3000mm	White
'T' Shape	3000mm	Silver Anodised
'T' Shape	3000mm	White

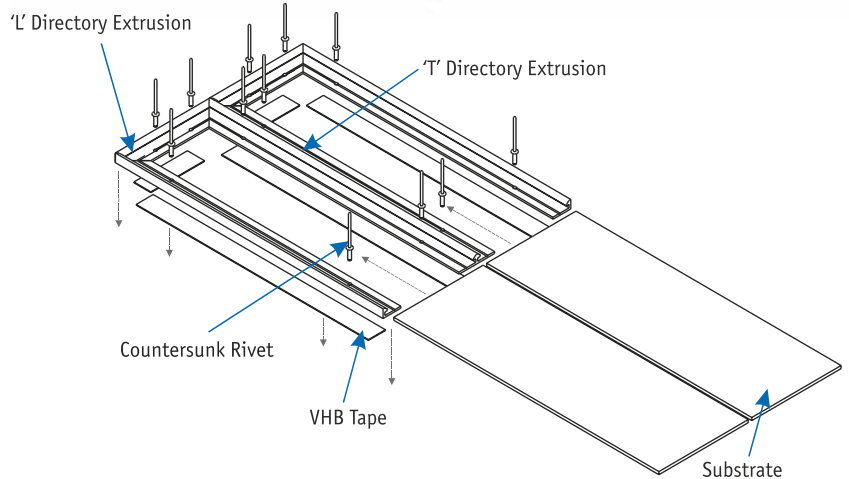
Silver Anodised

White RAL9016

'L' Directory Extrusion



'T' Directory Extrusion



# Finishing Touches

'L' & 'T' directory is usually supplied already attached to plate or tray signage, just let us know where to place the extrusion with either an artwork file or accurate measurements. We can powder coat to match the rest of your signage.



# Letters

We supply Built up, Channel and Flat cut letters all available in a variety of materials and thicknesses. Whatever your project, we'll have a product to match your requirements.

Prepped for Finishing



Vinyl Faced



Digital Print



Vinyl Text



Painted



Wood Effect



Shaping Options



Radius Corners



Holes



Clip Extrusion



Fret Cut



Flame Polish



LED Illumination



ROGUE

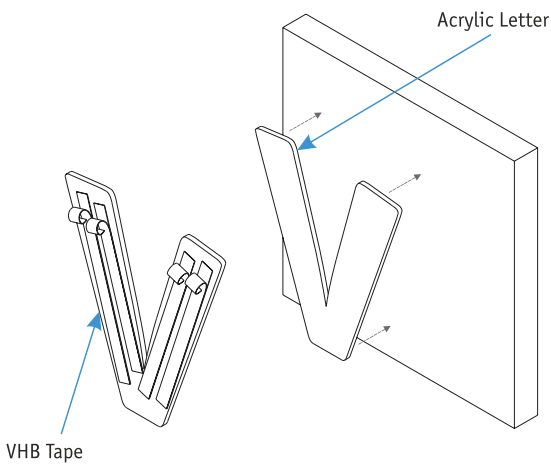
# Flat Cut Letters

Flat Cut sign letters offer a bespoke alternative to built up letters but can additionally give panels or trays an added dimension.

## KEY INFORMATION

- Fixings for aluminium letters; VHB, stand-off, welded studs or nickel locators
- Fixings for composite, acrylic & foam board; VHB, stand-off connectors or plastic locators

### Standard Flat Cut Letters (VHB Optional)



### Product Information

- Minimum letter height; 50mm\*\*
- Minimum stroke width; 10mm\*\*
- VHB (Optional)

- Large range of Acrylic, Composite and Foam board colours available

Thickness	Aluminium	Acrylic	Composite	Foam Board
1.6mm	•			
2.5mm	•			
3mm		•	•	•
5mm	•	•		•
10mm	•	•		•

Digital Print to face Available

Vinyl to face Available

Powder Coated to RAL of BS Colour

\*\*Letter heights and stroke widths are dependent upon font used. Please contact our design team for more information



Require more VHB tape?  
Did you know we sell it?



# Add some dimension

Get a 3D stand off look by adding welded studs to the rear of your flat cut letters. We can supply these in 15, 25 and 40mm standard lengths complete with spacers to allow for distance from the mounting surface.

If that's just not deep enough, we can use internally threaded weld studs in combination with threaded stud to allow for any depth.



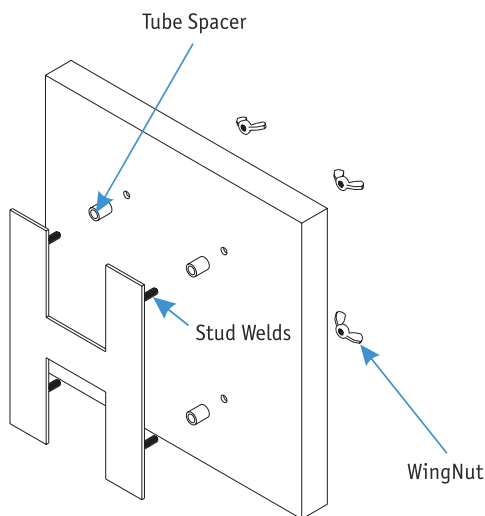
## Welded Stud Flat Cut Letters

### Product Information

- Minimum letter height; 60mm\*\*
- Minimum stroke width; 10mm (No Spacers)\*\*  
12mm (Spacers)\*\*
- Stud sizes; M6 x 15mm, M6 x 25mm, M6 x 40mm



Thickness	Aluminium
1.6mm	•
2.5mm	•
5mm	•
10mm	•



\*\*Letter heights and stroke widths are dependent upon font used.

Powder / Wet coating may have an excess charge

## Brass Locators Flat Cut Letters

### Product Information

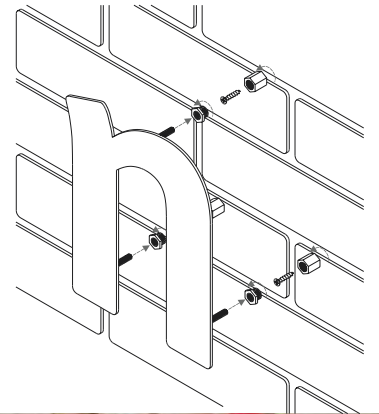
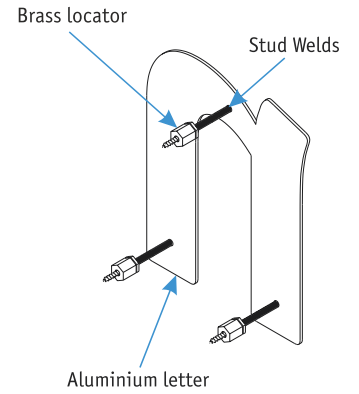
- Minimum letter height; 60mm\*\*
- Minimum stroke width; 10mm\*\*
- Weld stud sizes; M5 x 15mm ,M5 x 25mm

Digital Print  
to face  
Available

Vinyl  
to face  
Available

Powder Coated  
to RAL of BS  
Colour

Thickness	Aluminium
1.6mm	•
2.5mm	•
5mm	•
10mm	•



\*\*Letter heights and stroke widths are dependent upon font used.





Plastic Locators Flat Cut Letters

Product Information

- Minimum letter height; 50mm (using small locators)\*\*
- Minimum stroke width;\*\*  
12mm (small locators)  
20mm (medium locators)  
25mm (large locators)

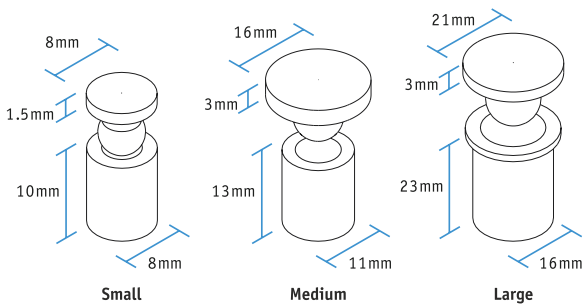
Digital Print to face Available

Vinyl to face Available

Powder Coated to RAL of BS Colour



Thickness	Aluminium	Acrylic	Composite	Foam Board
1.6mm	•			
2.5mm	•			
3mm	•	•	•	•
5mm	•	•		•
10mm	•	•		•



Stand-Off Connector Flat Cut Letters

Product Information

- Minimum letter height; 100mm (small Stand-off Connector)\*\*
- Minimum stroke width;\*\*  
16mm (small stand-off)  
20mm (medium stand-off)  
29mm (large stand-off)

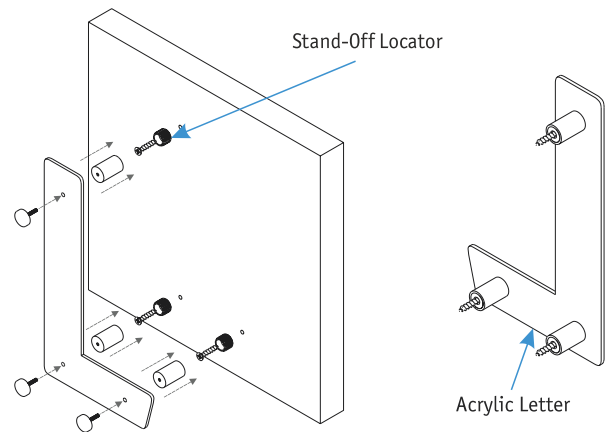
Digital Print to face Available

Vinyl to face Available

Powder Coated to RAL of BS Colour



Thickness	Aluminium	Acrylic	Composite	Foam Board
1.6mm	•			
2.5mm	•			
3mm		•	•	•
5mm	•	•		•
10mm	•	•		•



# Channel Letters

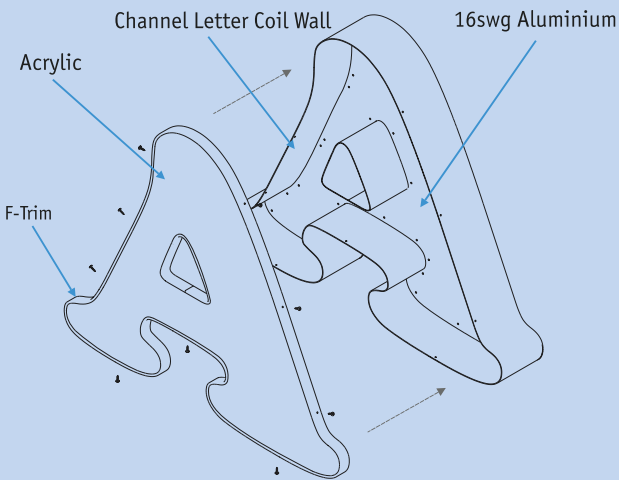
Machine formed walls at standard depths of; 67, 125 & 194mm available from stock in 21 different finishes in conjunction with 14 different plastic letter trims.

Letters can be powder or wet coated to suit your requirement. Suitable for manufacture either face or halo LED illuminated.

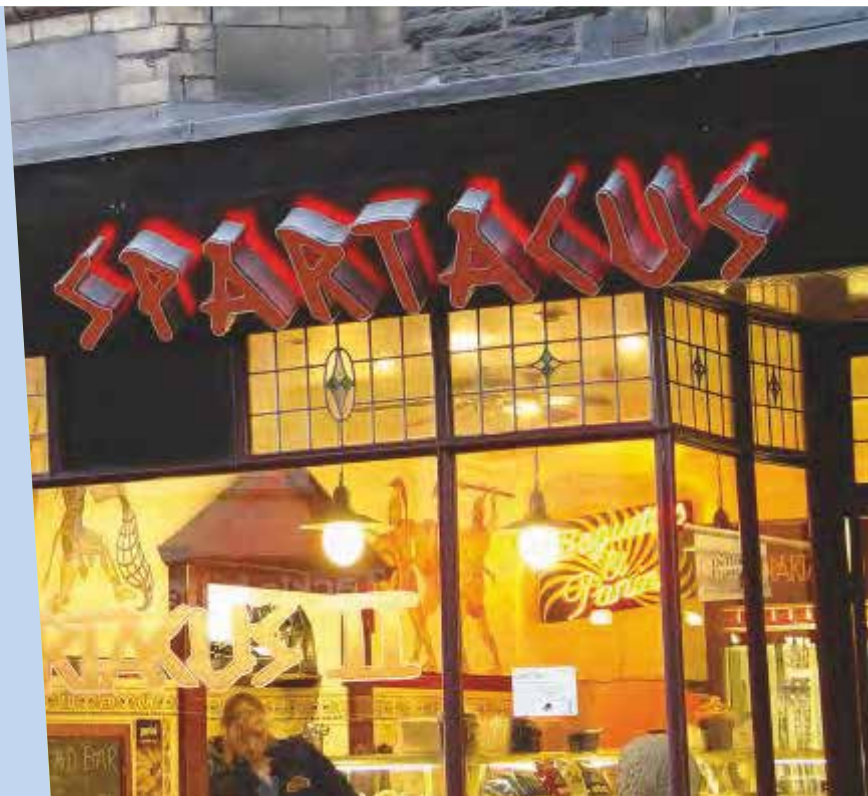
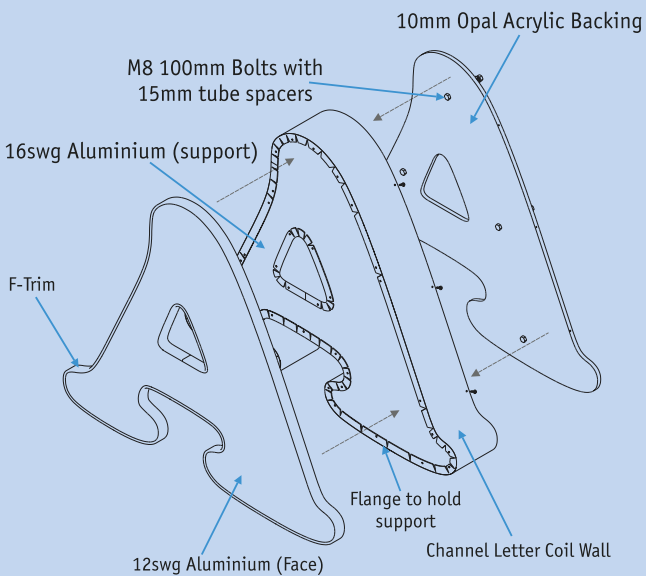
## KEY INFORMATION

- 3 different wall depths available
- Face or halo LED illumination
- Multiple stock wall and trim colours
- 7-10 days on stock powder coating colours
- Minimum Cap height: 300mm

## Face Illumination



## Halo Illumination

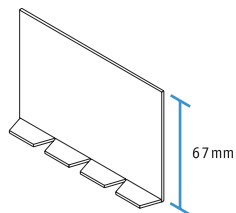


# Channel Letter Coil (Wall)

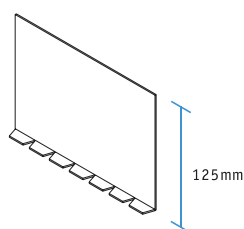
## Product Information

- Roll Length; 82.4m (1.02mm thick)
- Material: Aluminium
- Used as the wall of the letters which is bent to the required shape

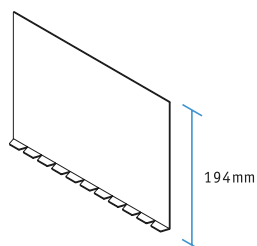
### 67mm Deep Coil



### 125mm Deep Coil

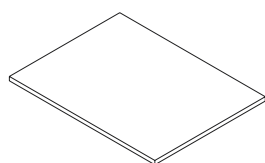


### 194mm Deep Coil



## Acrylic and Trim options

### 3mm Acrylic Face (Face Illuminated Option)

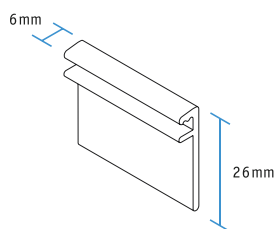


## Product Information

- Sheet Size; 3050mm x 2050mm

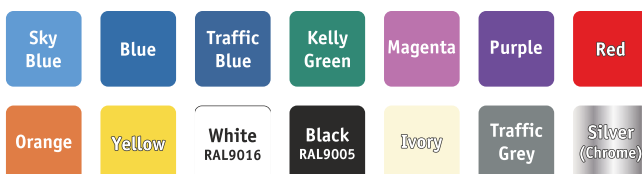


### Channel Letter F-Trim



## Product Information

- Trim Height; 26mm, roll length; 50m (1mm thick)
- Used on the acrylic (face-lit) or metal face (halo) edges to join the face to the walls of the letter



# Channel Letter Requirements

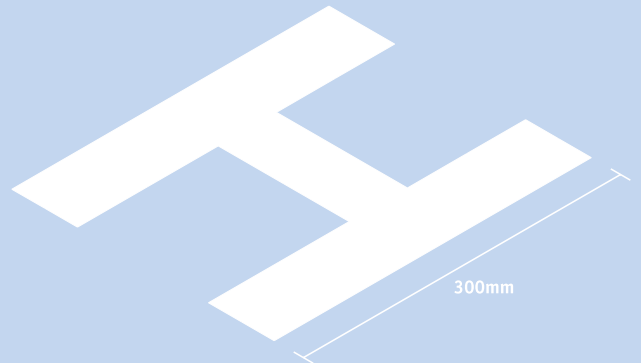
In order to quote for Channel letters accurately and ensure that we can manufacture your letters, we require a vector file such as a .pdf, .eps, .ai or .cdr file. We then place this design into our pricing calculator.

The minimum letter height for the Channel letters on both Face lit or Halo is 300mm (set on a standard block font).

The stroke width of the font that you use must be at least 35mm at its thinnest point. If you are using a serif font make sure that the serif thickness is 35mm or bigger to be able to manufacture the letters.



Minimum stroke width



Minimum Letter Height



**KEY INFORMATION**

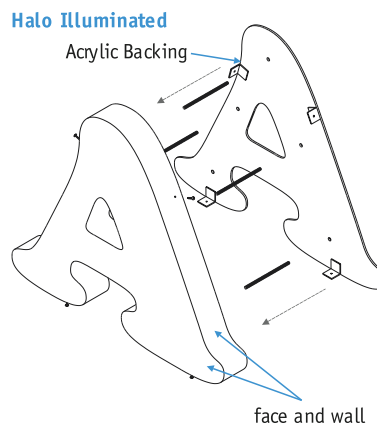
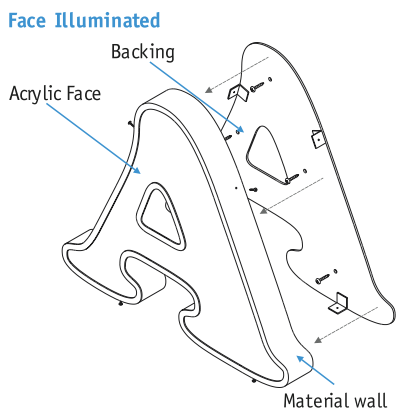
- Halo or face illuminated (Rim & Return)
- Different wall depths available
- Multiple material options and finishes
- 10-14 days on stock powder coated colours
- Minimum cap height of 120mm (dependent on font)

**Built Up Letters**

We offer a bespoke built up letter service manufacturing in powder coated aluminium, brushed stainless steel, mirror polished stainless steel, copper, coloured stainless steel and corten steel.

**Product Information**

- Letter Styles; Face illuminated (rim & return), halo,
- Wall height; 25mm, 50mm, 75mm, 100mm and 150mm
- Letter Heights; 120mm - 2800mm



**Stainless Steel Colours Available**

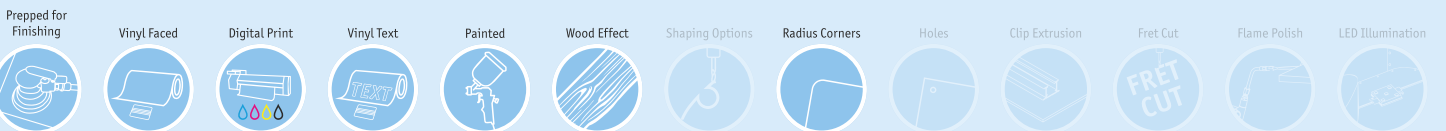


# Budget Signage

Budget signage ranges from post mounting through to internal and external projecting signage. Banding, Bordeaux and Budget projecting is all available from stock on a same day despatch (in mill finish or RAL 9016 white) so if you need a sign fast, it's a good place to start.

## System Overview

	Single Sided	Double Sided	V-Mount	Inline	Corniche
Posts	•	•			
Totem					
Freestanding					
Flat Wall					
Projecting	•	•			
Suspended	•	•			





# Budget Projecting

Folded projecting signs which can be powder coated or have digital print applied.

## KEY INFORMATION

- Available in three shapes; rectangular, circular & ellipse
- Manufactured in 2.5mm aluminium
- Lead times for manufacture start from same day despatch and 2 days on stock powder coating colours

## Budget Projecting



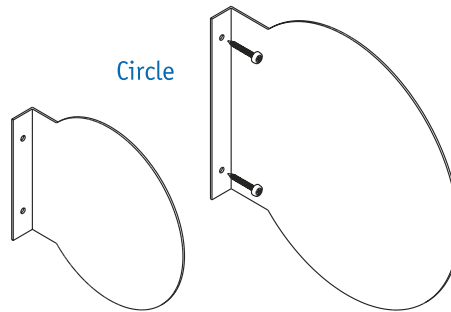
## Key Information

- 40mm folded return with 2 x 5.5mm offset holes
- Suitable for internal and external use

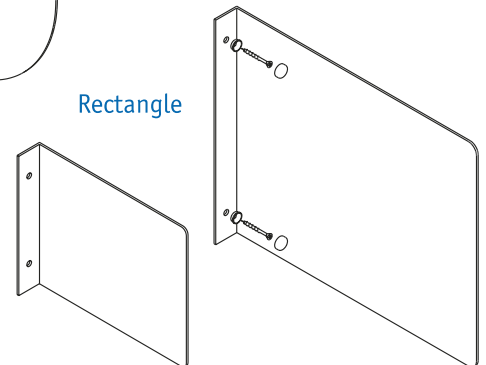
Mill Finish
White RAL9016
Powder Coated to RAL of BS Colour
Digital Print to face Available
Vinyl to face Available

Shape	Size (face to view)	Finish
Circle	200 x 200mm	White
Circle	310 x 300mm	White
Rectangle	225 x 150mm	White
Rectangle	300 x 240mm	White
Ellipse	257 x 200mm	White
Ellipse	385 x 300mm	White

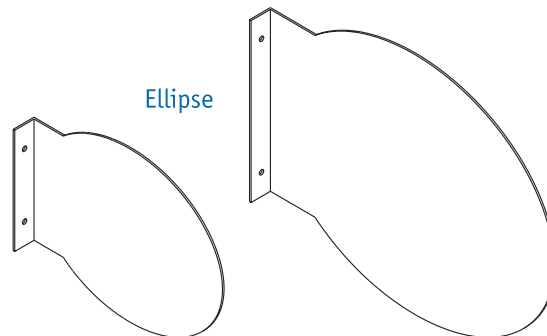
Circle



Rectangle



Ellipse



**Need Digital Prints?  
We do that too!**

Head to page 174 for more information.



# Marker Cones

Marker Cones are perfectly suited for any project which requires a 360° viewing angle. Fabricated from composite and available to suit 76mm, 89mm & 114mm diameter posts.

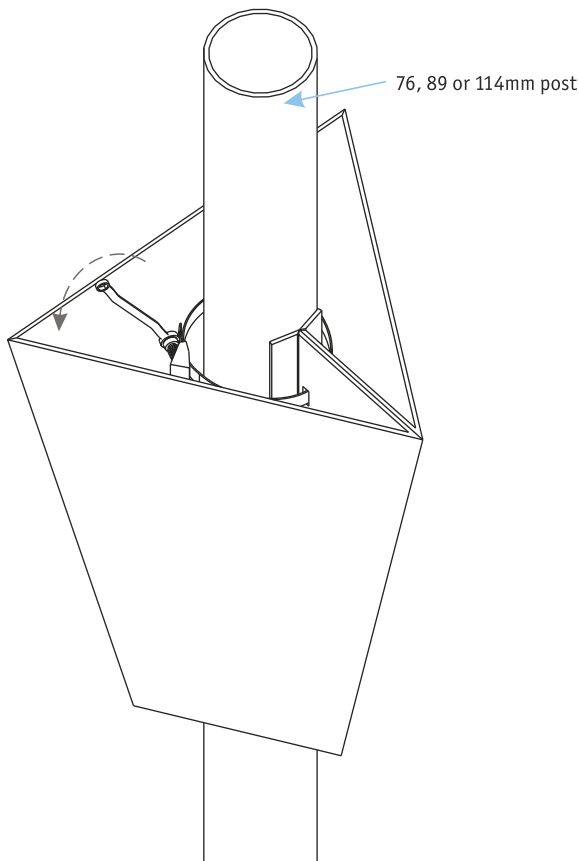
## KEY INFORMATION

- Manufactured from 3mm aluminium composite
- Easy installation
- Lead times for manufacture start from next day despatch

### Marker Cones

#### Key Information

- Available in 3 sizes;
  - 300 x 400mm, tapered to 150mm on bottom edge for 76mm post
  - 350 x 470mm, tapered to 175mm on bottom edge for 89mm post
  - 450 x 600mm, tapered to 225mm on bottom edge for 114mm post
- Easily assembled and fitted using a Screwband and an M8 Bolt



Face to View Size	Taper Size	Post Size	Finish
300 X 400mm	150mm	76mm	White
300 X 400mm	150mm	76mm	Digital Print
300 X 400mm	150mm	76mm	Reflective Vinyl
350 x 470mm	175mm	89mm	White
350 x 470mm	175mm	89mm	Digital Print
350 x 470mm	175mm	89mm	Reflective Vinyl
450 x 600mm	225mm	114mm	White
450 x 600mm	225mm	114mm	Digital Print
450 x 600mm	225mm	114mm	Reflective Vinyl

# Bordeaux

Bordeaux is manufactured from an aluminium extrusion that is cut to length then capped with black plastic or metal end caps.

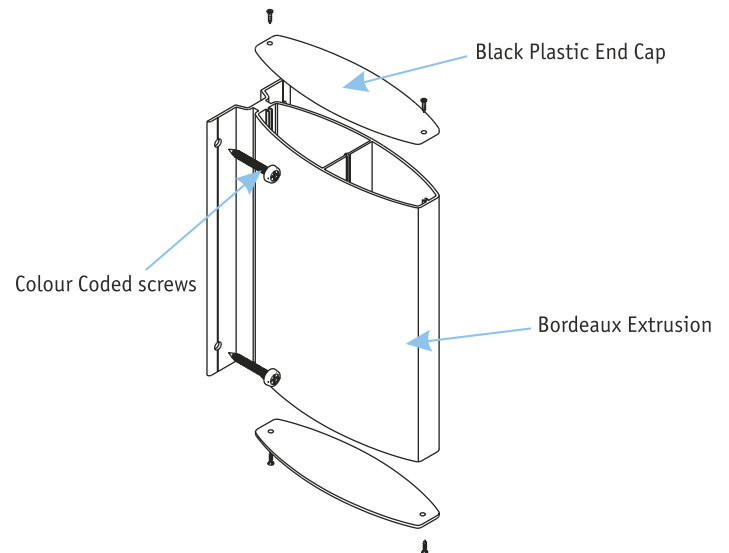
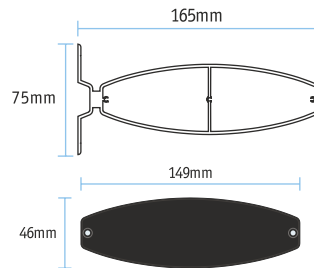
## KEY INFORMATION

- Face to view; 150 x 200mm (Portrait)
- Suitable for internal and external use
- Available in; white (RAL 9016) or mill finish from stock
- Available from stock with black plastic or metal end caps
- Lead times for manufacture start from same day despatch and 2 days on stock powder coating colours

## Bordeaux

### Key Information

- Available in lengths up to 2100mm



Size	Finish	Material	Cap
150 x 200mm	Mill	Aluminium	Black Plastic
150 x 200mm	White	Aluminium	Black Plastic
150 x 200mm	Mill	Aluminium	Metal
150 x 200mm	White	Aluminium	Metal



# Banding Signs

Banding signs provide a simple solution where low cost and ease of installation are high priorities.

## KEY INFORMATION

- Manufactured from 1.6mm and 2.5mm aluminium
- Bridge lance fixing hole
- Stock in three sizes; A3, A4, A5
- Lead times for manufacture start from same day despatch and 2 days on stock powder coating colours

### Banding Signs

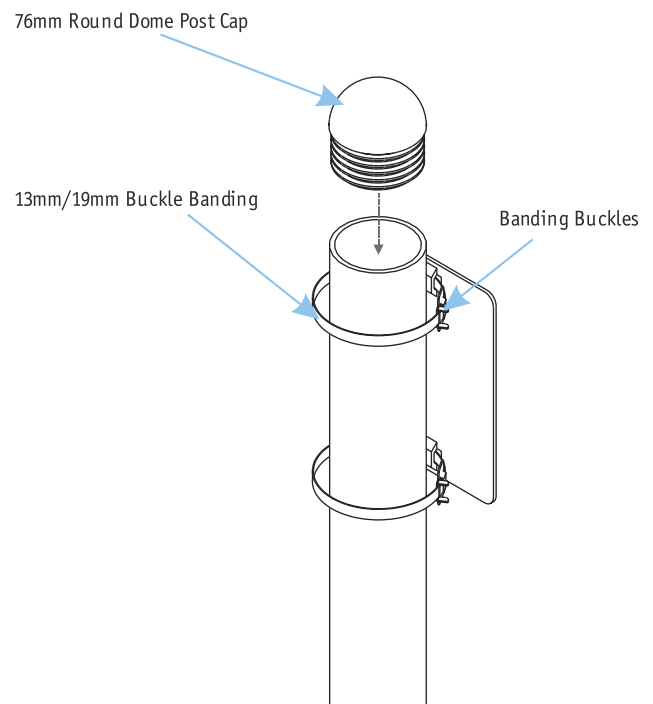


### Key Information

- Installed using screwbanding for ease
- Ideal for temporary signage



Size	Thickness	Finish
150 x 200mm	1.6mm	White
210 x 297mm	1.6mm	White
297 x 420mm	1.6mm	White
150 x 200mm	1.6mm	Digital Print
210 x 297mm	1.6mm	Digital Print
297 x 420mm	1.6mm	Digital Print
150 x 200mm	2.5mm	White
210 x 297mm	2.5mm	White
297 x 420mm	2.5mm	White
150 x 200mm	2.5mm	Digital Print
210 x 297mm	2.5mm	Digital Print
297 x 420mm	2.5mm	Digital Print



# Options & Information

Since 99% of our products are manufactured to order, you can chop, change and alter your standard signage to give just the look your client is going for.

## KEY INFORMATION

- 16 stock non-reflective vinyl colours
- 8 stock reflective vinyl colours
- 179 stock powder coating colours
- Colour coded fixings to match stock colours

### Stock Vinyl

## Vinyl Colour Options

The Plate signage system uses vinyl as its standard base coat substrate. Additionally, whenever you upgrade to 'ready made' finish throughout our comprehensive sign range, we can use vinyl to apply text, logos, graphics and other design features.



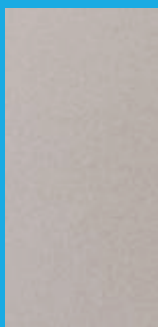
<b>AS01</b> <b>Light Blue</b> <small>RAL5012</small> <small>M7-151</small>	<b>AS02</b> <b>Mid Blue</b> <small>RAL5005</small> <small>M7-154</small>	<b>AS03</b> <b>Dark Blue</b> <small>RAL5002</small> <small>M7-155</small>	<b>AS04</b> <b>Light Green</b> <small>RAL6029</small> <small>M7-163</small>
<b>AS05</b> <b>Dark Green</b> <small>RAL6005</small> <small>M7-164</small>	<b>AS06</b> <b>White</b> <small>RAL9016</small> <small>M7-100</small>	<b>AS07</b> <b>Burgundy</b> <small>RAL3004</small> <small>M7-145</small>	<b>AS08</b> <b>Red</b> <small>RAL3020</small> <small>M7-141</small>
<b>AS09</b> <b>Orange</b> <small>RAL2008</small> <small>M7-133</small>	<b>AS10</b> <b>Yellow</b> <small>RAL1023</small> <small>M7-131</small>	<b>AS11</b> <b>Beige</b> <small>RAL1014</small> <small>M7-170</small>	<b>AS12</b> <b>Black</b> <small>RAL9005</small> <small>M7-110</small>
<b>AS13</b> <b>Gold</b> <small>M7-191</small>	<b>AS14</b> <b>Silver</b> <small>M7-190</small>	<b>AS15</b> <b>Brown</b> <small>RAL8017</small> <small>M7-171</small>	<b>AS16</b> <b>Grey</b> <small>RAL7042</small> <small>M7-123</small>

### RA2 High Intensity Reflective Vinyl



<b>AS17</b> <b>High Intensity Yellow</b>	<b>AS18</b> <b>High Intensity White</b>
---	--

### RA1 Engineering Grade Reflective Vinyl



<b>AS19</b> <b>Engineering Grade Red</b>	<b>AS20</b> <b>Engineering Grade Orange</b>	<b>AS21</b> <b>Engineering Grade Yellow</b>
<b>AS22</b> <b>Engineering Grade Blue</b>	<b>AS23</b> <b>Engineering Grade Green</b>	<b>AS24</b> <b>Engineering Grade White</b>

### ECOF Overlay



<b>ECOF Red</b>	<b>ECOF Blue</b>	<b>ECOF Brown</b>	<b>ECOF Green</b>
-----------------	------------------	-------------------	-------------------

### Specialist



<b>AS26</b> <b>Brushed Steel</b>	<b>Mirror</b>	<b>Frosted</b>	<b>Blackboard Vinyl</b>
-------------------------------------	---------------	----------------	-------------------------



## RAL powder coating

With 179 stock powder coating colours we are sure to have the perfect colour to match your requirements.

We can also wet coat to almost any colour, give us your RAL, BS or Pantone reference and we'll do the rest.



### Gloss finish Stock Colours

RAL 1000	RAL 3004	RAL 5015	RAL 6016	RAL 7012	RAL 7047
RAL 1001	RAL 3005	RAL 5017	RAL 6017	RAL 7013	RAL 8000
RAL 1002	RAL 3011	RAL 5018	RAL 6018	RAL 7015	RAL 8001
RAL 1003	RAL 3018	RAL 5019	RAL 6019	RAL 7016	RAL 8002
RAL 1006	RAL 3020	RAL 5020	RAL 6020	RAL 7021	RAL 8004
RAL 1007	RAL 3027	RAL 5021	RAL 6021	RAL 7022	RAL 8007
RAL 1011	RAL 3031	RAL 5022	RAL 6022	RAL 7024	RAL 8011
RAL 1013	RAL 4005	RAL 5023	RAL 6024	RAL 7026	RAL 8014
RAL 1014	RAL 4006	RAL 5024	RAL 6025	RAL 7031	RAL 8016
RAL 1015	RAL 4007	RAL 6000	RAL 6026	RAL 7031	RAL 8017
RAL 1016	RAL 4008	RAL 6001	RAL 6027	RAL 7032	RAL 8019
RAL 1018	RAL 4010	RAL 6002	RAL 6028	RAL 7032	RAL 8022
RAL 1019	RAL 5000	RAL 6003	RAL 6029	RAL 7033	RAL 8023
RAL 1021	RAL 5001	RAL 6004	RAL 6032	RAL 7033	RAL 8024
RAL 1023	RAL 5002	RAL 6005	RAL 6033	RAL 7034	RAL 8025
RAL 1028	RAL 5003	RAL 6006	RAL 6034	RAL 7036	RAL 8028
RAL 2000	RAL 5004	RAL 6007	RAL 6037	RAL 7037	RAL 9001
RAL 2002	RAL 5005	RAL 6008	RAL 7000	RAL 7038	RAL 9002
RAL 2004	RAL 5007	RAL 6009	RAL 7001	RAL 7039	RAL 9003
RAL 2008	RAL 5008	RAL 6010	RAL 7003	RAL 7040	RAL 9005
RAL 2010	RAL 5009	RAL 6011	RAL 7004	RAL 7042	RAL 9010
RAL 3000	RAL 5010	RAL 6012	RAL 7005	RAL 7043	RAL 9016
RAL 3001	RAL 5012	RAL 6012	RAL 7006	RAL 7044	RAL 9018
RAL 3002	RAL 5013	RAL 6013	RAL 7009	RAL 7045	RAL 9910
RAL 3003	RAL 5014	RAL 6015	RAL 7010	RAL 7046	

### Matt Finish Stock Colours

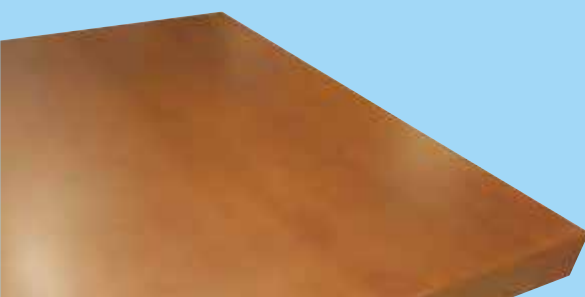
RAL 1013	RAL 5002	RAL 5022	RAL 6029	RAL 7023	RAL 7043	RAL 9005
RAL 1015	RAL 5003	RAL 6002	RAL 7001	RAL 7024	RAL 8011	RAL 9010
RAL 1019	RAL 5004	RAL 6003	RAL 7005	RAL 7026	RAL 8014	RAL 9011
RAL 3001	RAL 5005	RAL 6005	RAL 7012	RAL 7030	RAL 8016	RAL 9016
RAL 3002	RAL 5010	RAL 6013	RAL 7013	RAL 7034	RAL 8017	RAL 9018
RAL 3003	RAL 5013	RAL 6014	RAL 7015	RAL 7036	RAL 8022	
RAL 3004	RAL 5014	RAL 6015	RAL 7016	RAL 7037	RAL 9001	
RAL 3005	RAL 5015	RAL 6021	RAL 7021	RAL 7040	RAL 9002	
RAL 3020	RAL 5017	RAL 6024	RAL 7022	RAL 7042	RAL 9003	

### Satin Finish Stock Colours

RAL 5005
RAL 5013
RAL 7016
RAL 7022
RAL 7035
RAL 9002
RAL 9005
RAL 9010
RAL 9016

## Need something different?

Wood finish powder coats offer the aesthetics of hard wood combined with the durable properties of aluminium. All this, at a fraction of the price of hard wood.



**PWF001**  
Maple

**PWF002**  
Teak

**PWF003**  
Oak

**PWF004**  
Mahogany

**PWF008**  
Red Beech

**PWF013**  
European  
Plane

# Digital Print

Specifying your signs with factory applied digital printing streamlines your work flow and saves you time and money.

We have purpose-built clean room houses two large format printers and specialist, expert staff ensure prints are of the highest quality - whether as a stand alone product or applied to another sign system.

## KEY INFORMATION

- Great for complex images and photographs
- Wide range of substrates
- Fade resistant inks

## Application Types



Ready Made Faced Signage



Ready Made Glass Effect Signage



Paper & Vinyl Inserts



Banners



Labels & Stickers



Window Film & Contravision

## Need Shaped Stickers?

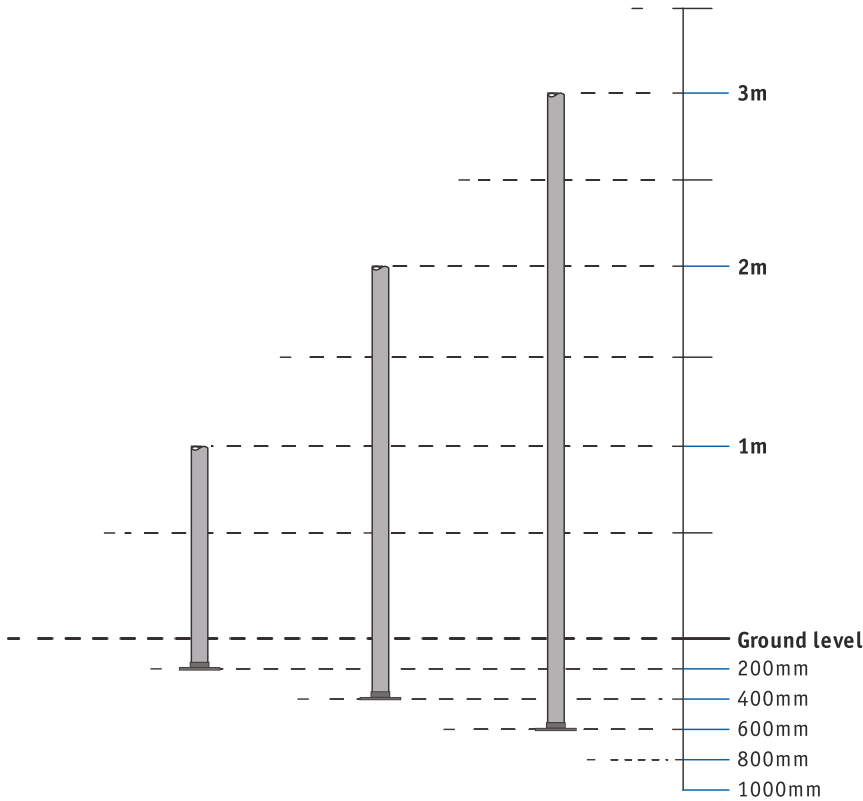
We have a high speed cutting plotter which provides accurate cutting for both regular vinyl and for digital prints. Our cutting plotter delivers simple straight cut or circular profiles right through to sophisticated profile cutting of the most intricate shapes.



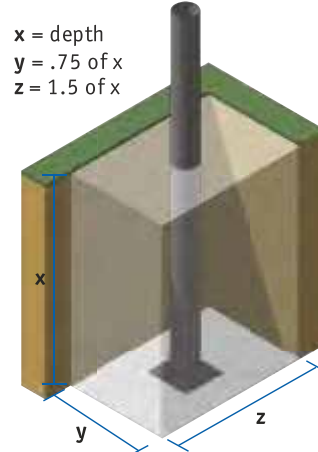
# Fitting Information

To assist with fitting and creating the most suitable viewing size, we have put together the guides below.

## Post Planting Depth



## Post Foundation Guide

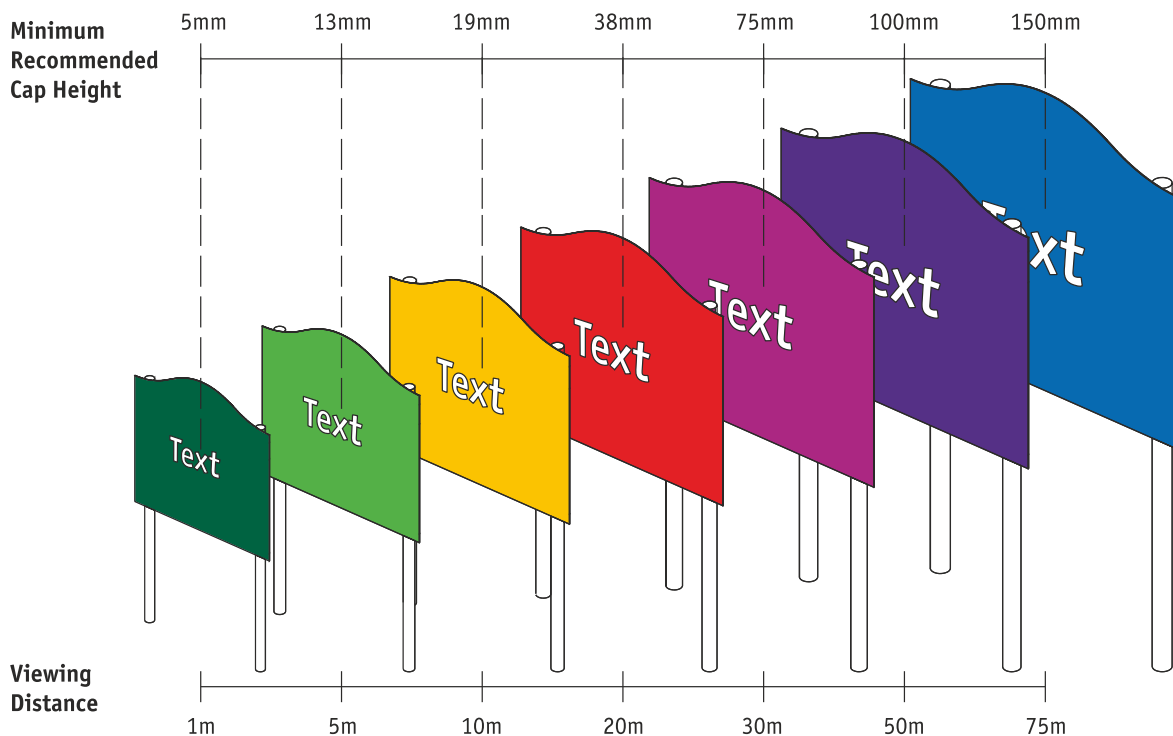


## Need Baseplates?

We always recommend using Base Plates when installing round profile posts to prevent rotation and subsidence.

If you are in any doubt about the safety of a sign you should consult a structural engineer. Ashby can accept no liability for the use of these advisory diagrams.

## Text Viewing Distances



This should be used as a guide as this can vary with text styles, colours and contrasts.

# Artwork Information

We manufacture 'ready made' signage from your supplied digital artwork.

To ensure the highest quality reproduction of your artwork, and to achieve the shortest delivery times, please read the following guidance notes.

## KEY INFORMATION

- Vector or bitmap artwork accepted
- 300dpi CMYK for print at 100% scale
- Adobe Creative Suite and CorelDraw files preferred

## File Formats

Our graphics team are equipped to take artwork produced in Adobe Illustrator, Photoshop, Acrobat (PDF) and CorelDraw.

### Vector (eg. Adobe Illustrator)

Vector files are suitable for any shape cutting (eg. vinyl plotting) or for digital printing.

These images are 'drawn' and consist of points, lines and fills. Vector files should have all fonts converted to paths to ensure there are no font substitutions.

Files must be supplied in vector based '.ai', '.eps', '.dxf' or '.pdf' formats.



Vector

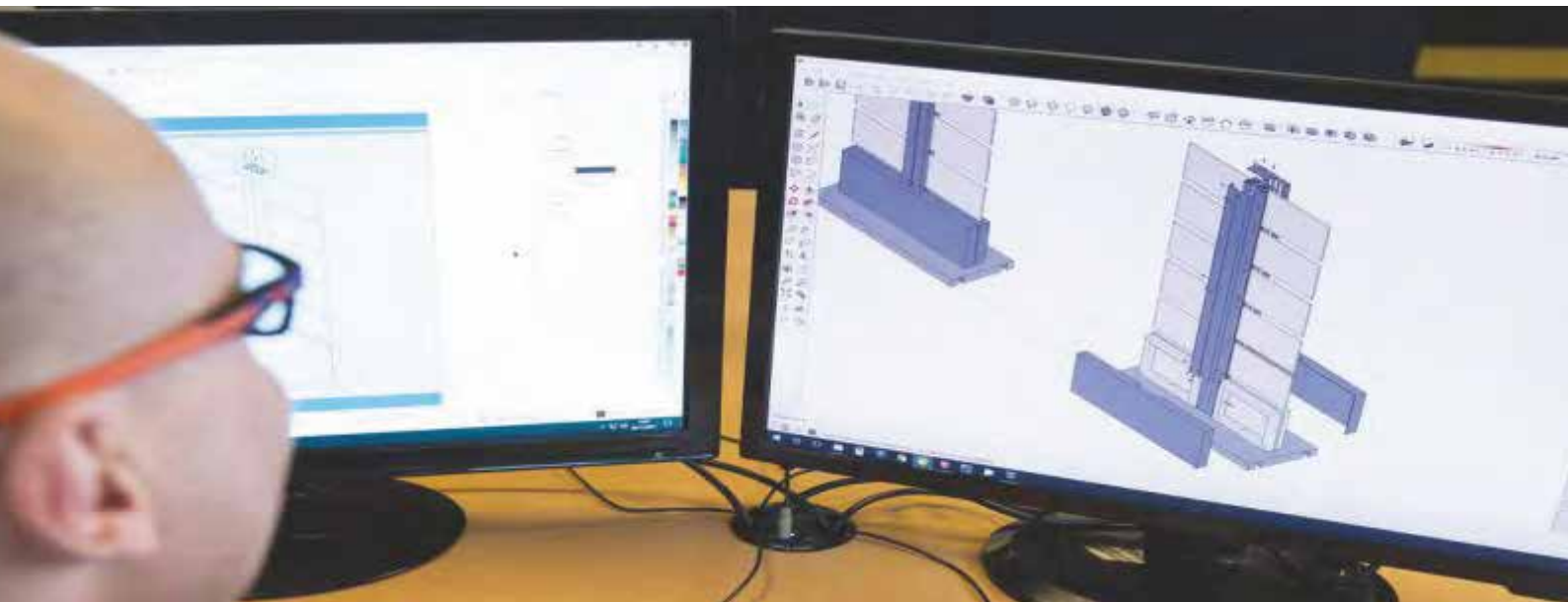
### Bitmap (eg. Adobe Photoshop)

Bitmap files are suitable for digital printing only. These images are made out of tiny coloured pixels fixed into a grid pattern. If you enlarge the image above 100% of size, the grid pattern simply increases in size making the pixels larger. This produces stepped jagged edges to the image, making it look blurred. To prevent this, all images should be saved at the size required in your artwork at 300dpi and saved as CMYK images.

Files must be supplied in high quality '.jpg', '.tiff' or '.pdf' format.



Bitmap





**Aluminium Panels**

**Aluminium Trays**

**Composite**

**Aluminium Posts**

**Sign Fixings**

**Aluminium Sleeve**

**Hooped Top**

**Modular**

**Architech**

**Fingerposts**

**Road Traffic**

**Stryder Troughlight**

**Lightboxes**

**LED Illumination**

**Panel Frames**

**K'nect**

**Glass Effect (Acrylic)**

**Banner Systems**

**Display**

**Letters**

**Budget**

